

## Models: PF800SC

### Features:

The design of the Slide Couplings allows the submersible pump to be installed or removed without requiring personnel to enter the wet well.

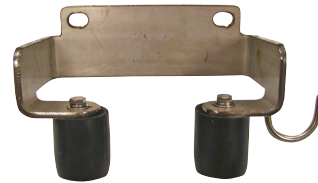
- **DISCHARGE:** 8" ANSI Flanged
- **SOLIDS:** 8" Diameter Spherical
- **BASE ELBOW:** Ductile iron
- **PULL-OUT-FLANGE:** Ductile iron with stainless steel sealing ring
- **LOWER GUIDE PLATE:** Ductile iron
- **HARDWARE:** Stainless steel
- **PAINT:** Powder Coated
- **UPPER GUIDE PLATE:** Stainless steel
- **GUIDE RAIL PINS:** Will Accept 2" or 3" Pipe Rails
- **WEIGHT ALLOWANCE:** Max pump weight 4000lbs.
- **WARRANTY:** 1 year

 **WARNING: CANCER AND REPRODUCTIVE HARM-**  
WWW.P65WARNINGS.CA.GOV

Assemblies **DO NOT** include Pump, Discharge piping, Guide Rails, Lifting Chain nor Gate Valve and Handle.



**Slide Coupling Assembly  
with Upper Guide Rail  
Bracket**



Stainless Upper Guide Bracket



**Power-Flo Pumps & Systems**

*a Power-Flo Technologies company*

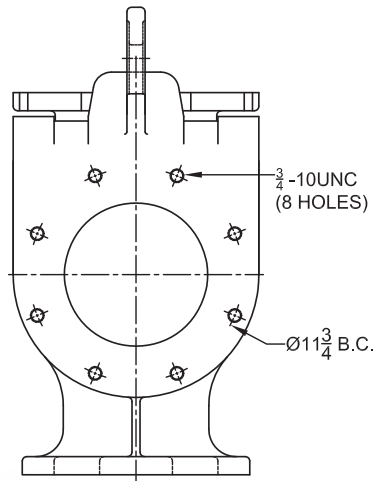
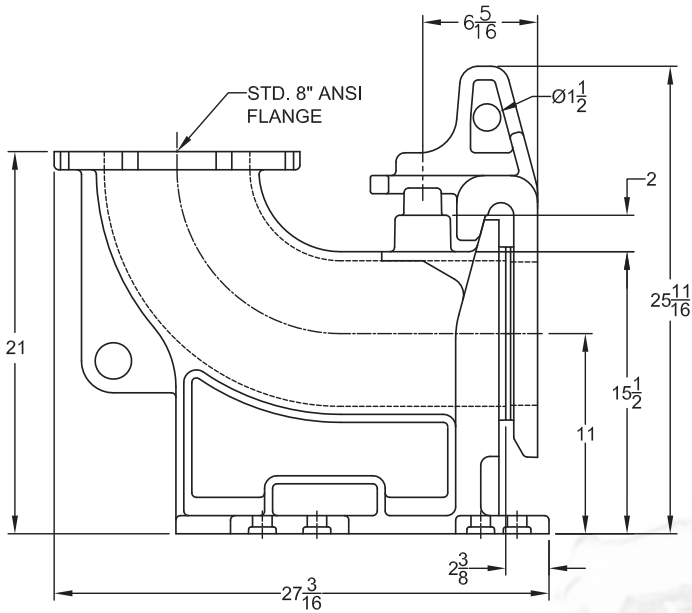
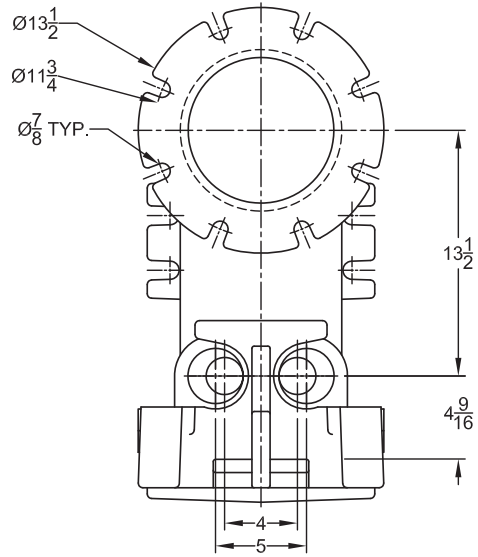
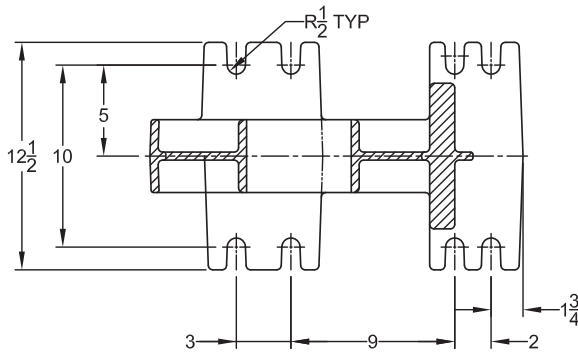
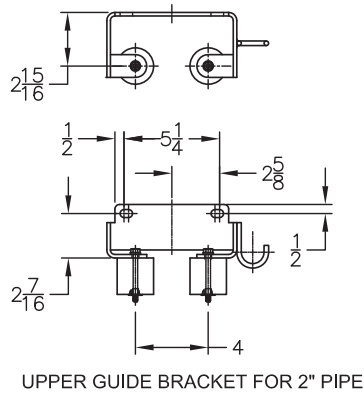
877-24PUMPS • fax: 516-812-6897 • [www.powerflopumps.com](http://www.powerflopumps.com)

**Accessories - Slide Couplings - 8"**

Sect.  
AC  
Page  
11  
Rev.  
02/2021

Model: PF800SC

Accessories - Slide Couplings - 8"



MODEL	SIZE
PF800SC	8"

