

Model: PFUEG

Features:

General purpose pump for residential, light industrial and commercial sump applications. Good for emptying aquariums, waterbeds, pool covers, and clogged sinks. For use with Nonflammable liquids compatible with pump materials

- **DISCHARGE:** 3/4" Hose Thread
- **LIQUID TEMPERATURE:** 77°F Intermittent duty
- **MOTOR HOUSING:** Steel
- **PUMP CONSTRUCTION:** Thermoplastic
- **IMPELLER:** Flex-Vane, Thermoplastic
- **SHAFT:** Stainless Steel
- **SEAL:** Lip seal, Buna-N
- **POWER CORD:** 10Ft. with plug.
- **MOTOR:** ODP, Thermal overload protection
- **INCLUDES:** Pump, 6 ft. garden hose and suction strainer.

Standing water can be pumped down to 1/8" with supplied suction strainer.

- **WARRANTY:** 1 year

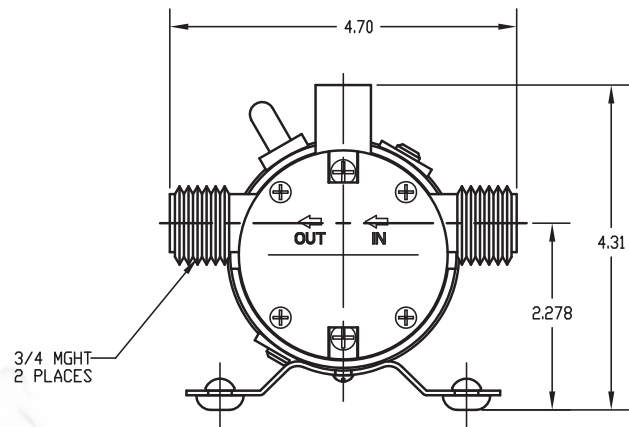
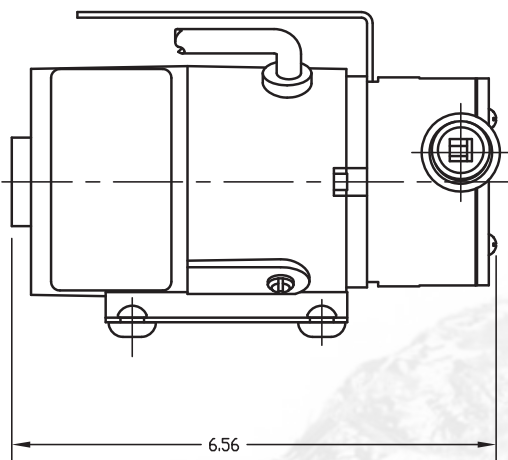


WARNING: CANCER AND REPRODUCTIVE HARM-
WWW.P65WARNINGS.CA.GOV

MODEL	HP	Hz	RPM	AMPS	Volts/Ph	Weight
PFUEG	1/12	60	5000	2	115/1	6 Lbs.



**Utility Pump
3/4" Inlet/Outlet,
Garden Hose Connection
1/8" Spherical Solids**



Power-Flo Pumps & Systems

a Power-Flo Technologies company

877-24PUMPS • fax: 516-812-6897 • www.powerflopumps.com

Sump & Utility Pumps - 1/12HP - 5000RPM - Thermoplastic

Sump & Utility Pumps - 1/12HP - 5000RPM - Thermoplastic

Model: PFUEG

