

Model: PFWRC66B1S

DHW (Domestic Hot Water)

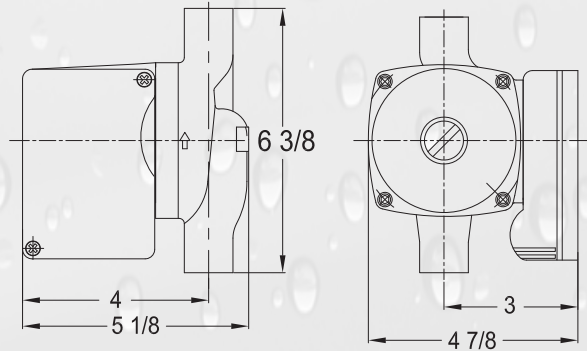
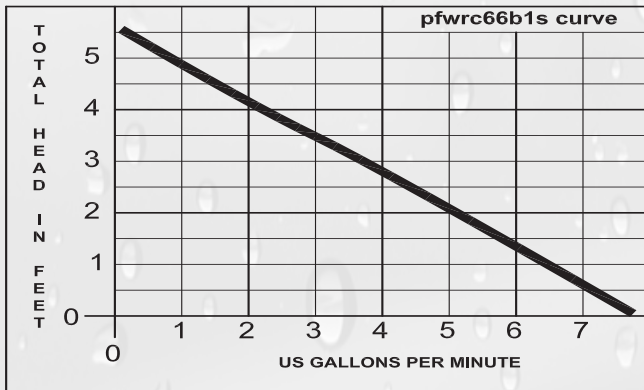


Wet Rotor Circulator Pumps
Sweat Connection
Bronze
Single Speed
Open System Type

Features:

These Power-Flo Pumps Circulator Pumps designed to be installed in residential potable domestic hot water systems to provide recirculation (with a dedicated recirculation pipe loop installed in the system) of domestic hot water resulting in "instant" hot water at fixtures throughout the house. This pump will come equipped with a standard terminal box with 1/2" FNPT to "Hard wire" direct to 115V AC **AND** will come with a 6 Ft. long soft jacketed 3 prong electric cord and terminal box strain relief connector for "outlet plug in" installations.

- **MOTOR:** 2-pole, 3600rpm, single phase, PSC with Thermal protection
- **LIQUID TEMPERATURE:** 32°F - 230°F
- **MAX. SYSTEM PRESSURE:** 145 PSI
- **INSULATION:** Class H
- **VOLUTE:** Lead Free Bronze
- **CONNECTION:** 3/4" Copper Sweat
- **POWER CORD:** 6 Foot with 3 prong plug
- **ACCESSORIES:** PFFP- Fitting Pack, PFDT - Digital Timer, PFSOA - Snap-On Aquastat (Timer and Aquastat can only be used with the 6 Ft power cord with 3 prong plug.)
- **WARRANTY:** 3 year



| MODEL/PART NUMBER | VOLTS/PHASE | AMPS | WATTS | CAPACITOR | WT. lbs |
|-------------------|-------------|------|-------|-----------|---------|
| PFWRC66B1S | 115/1 | .22 | 25 | 2mfd/450V | 6 |

| PF | WRC | 21 | 20 | Volute Material C, B, S | Motor Voltage 1 or 2 | Connection Type F, S, U |
|-----------|----------------------|--------------------|----------------|--|--------------------------|--|
| Power-Flo | Wet Rotor Circulator | Shut Off Head (ft) | Max Flow (Gal) | C = Cast Iron B = Lead Free Bronze S = Stainless Steel | 1 = 115 V 2 = 230V/1P | F = Flanged S = Copper Sweat U = Union |

EXAMPLE: PFWRC2120C1F - Power-Flo Pumps - Wet Rotor Circulator - 21' Shut Off Head - 20 GPM Max Flow - Cast Iron Volute - 115 Volt, Flanged Connection.

DHW Recirculators



WARNING:
 CANCER AND REPRODUCTIVE HARM-
WWW.P65WARNINGS.CA.GOV

