

Models: PF2004, PF2014, PF2024, PF2034, PF2044, PF2054, PF2084
For Sewage, Effluent, Grinder & Non-Clog Pumps

Features:

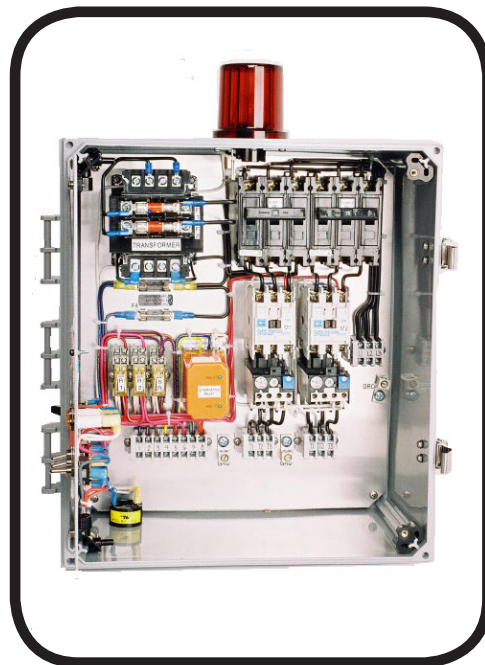
- **ENCLOSURE:** NEMA 4X weather resistant Poly enclosure with stainless door latches w/padlock hasp
- **CIRCUIT BREAKER:** For pump and control circuit
- **CONTACTOR:** IEC
- **OVERLOAD RELAY:** Bimetal type, ambient compensated
- **HEATER ELEMENT:** Class 10 quick trip, one heater for each phase
- **SWITCH:** Pump Hand-off-Auto
- **SWITCH:** External, Test/Normal/Silence with UV resistant sealing boot
- **LIGHT:** Green pump run
- **SUB PLATE:** Switch and light mounting
- **FUSE:** 1 Amp, Control circuit
- **FUSE:** 1 Amp, Alarm circuit
- **TRANSFORMER:** With primary & secondary fuse protection
- **ALTERNATOR:** Automatic
- **TERMINAL STRIP:** Box lugs for customer wiring & ground lugs
- **WIRING:** Color coded internal wiring
- **AUDIBLE ALARM:** Externally mounted 90 db @ 10 Ft. buzzer
- **ALARM LIGHT:** 360 degree red alarm light
- **SEAL LEAK SENSOR*:** Seal leak circuit with indicator light
- **TEMPERATURE SENSOR*:** Motor heat sensor circuit with indicator light
- **LEVEL CONTROL:** Includes Qty. 4, normally open, mechanical, pilot duty, narrow angle, 5 Amp @ 120/240 VAC, Floats with 15 Ft. 16/2, SJOW cords and external weight.

Built and Labeled to UL 508A standard with NEMA 4X rating. Consult factory for other available options. Some options may require an increase in the enclosure size.

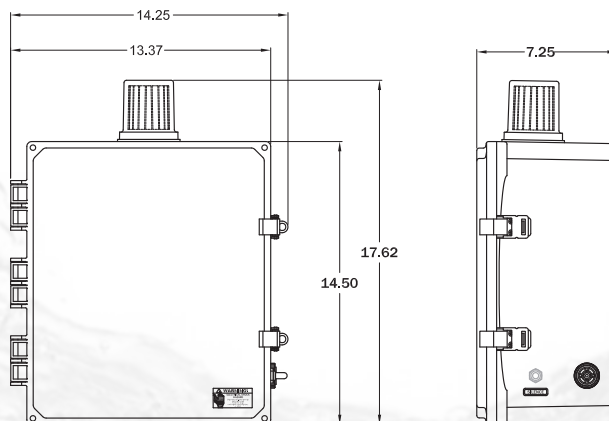
 **WARNING: CANCER AND REPRODUCTIVE HARM-**
WWW.P65WARNINGS.CA.GOV

HP	VOLTS	MAX AMPS	PART NUMBER
1/2	230	0-11	PF2004-O
3/4, 1	230	0-11	PF2014-O
1-1/2, 2	230	0-11	PF2024-O
2.8	230	0-11	PF2034-O
1-1/2, 2	230	20	PF2024-O-20
2.8, 3	230	20	PF2034-O-20
3	230	20	PF2034-OST-20
3.7	230	20	PF2044-O-20
4.5, 5	230	20	PF2054-ST-20
4.5, 5	230	20	PF2054-O-20
4.5, 5	230	20	PF2054-OST-20
5	230	25	PF2054-OST-25
7.5	230	20	PF2084-ST-20
7.5	230	25	PF2084-OST-25

(*) ST = Seal Leak & Motor Thermal Overload Detection
 C= Capacitor Start Components, O = Overload Protection



**Control Panel
 Duplex, NEMA 4X
 Three Phase,
 230 Volt**



Accessories - Control Panels - Duplex - 230 Volt - 3Ph



Power-Flo Pumps & Systems

a Power-Flo Technologies company

877-24PUMPS • fax: 516-812-6897 • www.powerflopumps.com

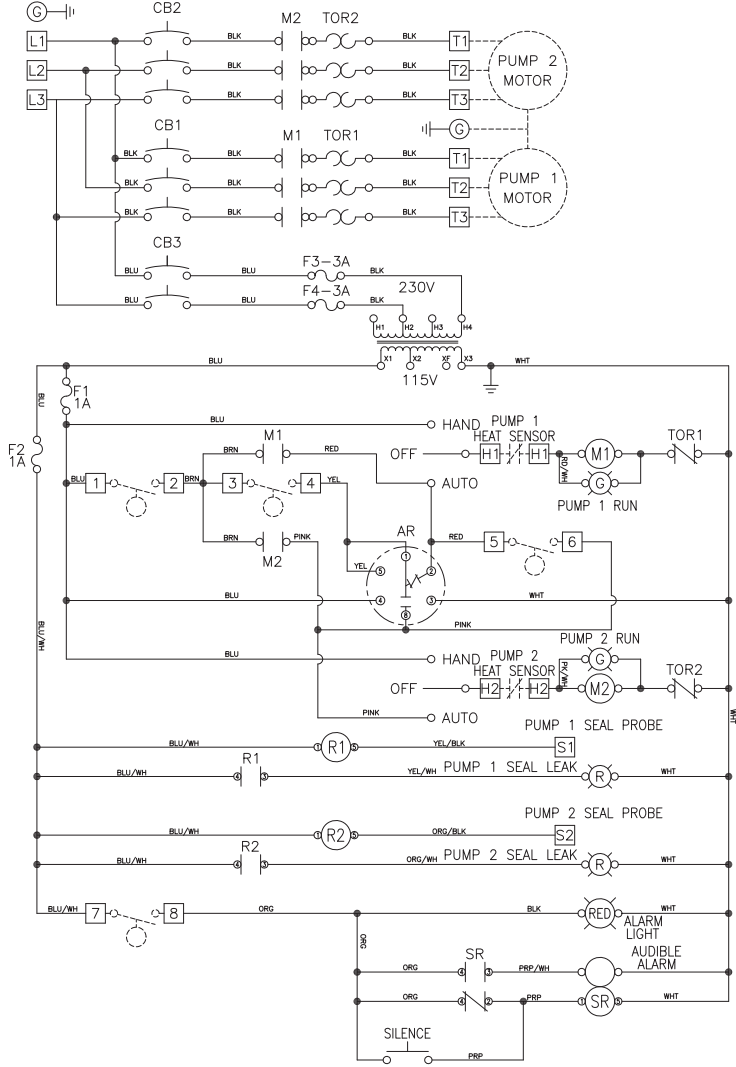
Sect.
 AC
 Page
 53
 Rev.
 02/2021

Models: PF2004, PF2014, PF2024, PF2034, PF2044, PF2054, PF2084 For Sewage, Effluent, Grinder & Non-Clog Pumps

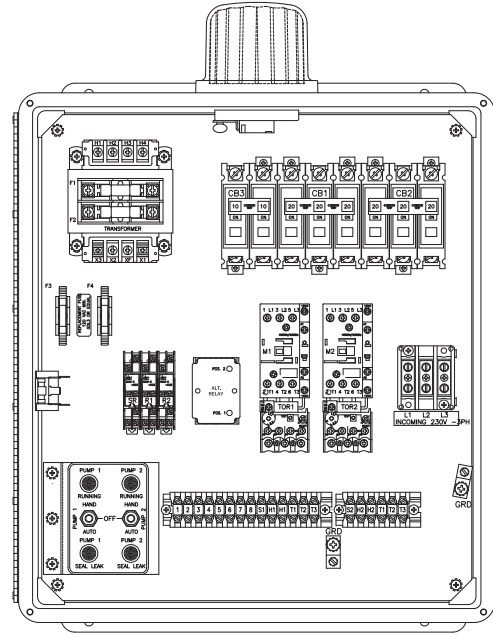
Accessories - Control Panels - Duplex - 230 Volt - 3Ph

1/2 thru 2, 2.8, 3, 3.7, 4.5, 5, 7.5HP Standard Panel Schematic

POWER CIRCUIT (3 WIRE SERVICE)
200, 230, 460V - 3PH - 60Hz



Standard Panel Layout



NOTES:

1. Panel shown with Seal Leak and Temperature sensors (ST)
2. Panels that are **NOT** indicated with (ST*) do not include Seal Leak and Temperature sensors



Power-Flo Pumps & Systems

a Power-Flo Technologies company

877-24PUMPS • fax: 516-812-6897 • www.powerflopumps.com