

Model: PFWRC3737B1F

Wet Rotor Circulators

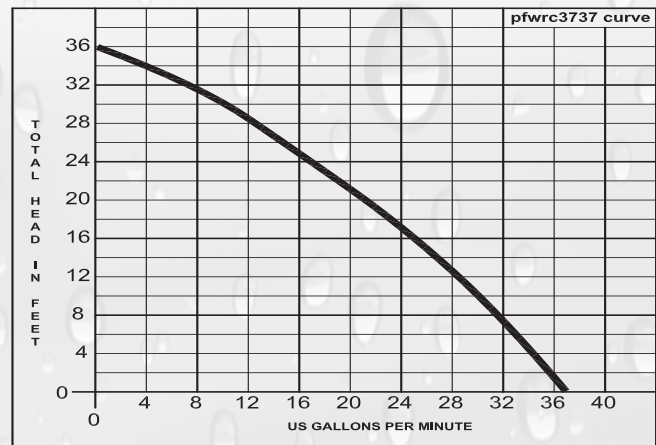
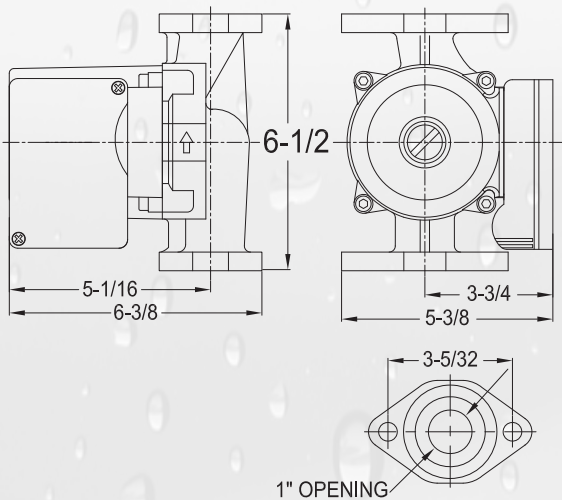
Features:

Power-Flo circulator pumps are low noise, low leakage, reliable operation and easy installation. Single and three speed compact, efficient wet rotor circulators for closed loop (cast iron volute) hydronic heating and cooling circulation and open loop (bronze and stainless steel) domestic water recirculation applications. FOR INDOOR USE ONLY.

- **MOTOR:** 2-pole, 3600rpm, single phase, PSC with Thermal protection
- **LIQUID TEMPERATURE:** 32°F - 230°F
- **MAX. SYSTEM PRESSURE:** 145 PSI
- **INSULATION:** Class H
- **VOLUTE:** Lead free Bronze
- **CHECK VALVE:** Removable, Prevents reverse and gravity flow
- **CONNECTION:** Flange with two 1/2" Dia. Bolt Holes and two flange gaskets
- **WARRANTY:** 3 year



Wet Rotor Circulator Pumps
Flange Connection
Bronze
Single Speed
Open System type



MODEL/PART NUMBER	VOLTS/PHASE	AMPS	WATTS	CAPACITOR	WT. lbs
PFWRC3737B1F	115/1	3.0	335	25mfd/200V	12.5

PF	WRC	21	20	Volute Material C, B, S	Motor Voltage 1 or 2	Connection Type F, S, U
Power-Flo	Wet Rotor Circulator	Shut Off Head (ft)	Max Flow (Gal)	C = Cast Iron B = Lead Free Bronze S = Stainless Steel	1 = 115 V 2 = 230V/1P	F = Flanged S = Copper Sweat U = Union

EXAMPLE: PFWRC2120C1F - Power-Flo Pumps - Wet Rotor Circulator - 21' Shut Off Head - 20 GPM Max Flow - Cast Iron Volute - 115 Volt, Flanged Connection.



Power-Flo Pumps & Systems

a Power-Flo Technologies company



WARNING:
 CANCER AND REPRODUCTIVE HARM-
 WWW.P65WARNINGS.CA.GOV

Page
13

877-24PUMPS • www.powerflopumps.com or sales@powerflopumps.com