

**Model: PFS411HTCE-2**

**Features:**

Submersible non-clog sewage pumps are designed for typical raw sewage application.

- **DISCHARGE:** 2" NPT, Female, Vertical
- **LIQUID TEMPERATURE:** 200°F (93°C) Continuous High Temperature
- **MOTOR HOUSING:** Cast Iron, Class 30. with removable upper chamber for ease of capacitor and cord replacement
- **VOLUTE:** Cast Iron, Class 30
- **SEAL PLATE:** Cast Iron, Class 30
- **IMPELLER:** 2 vane open, with pump out vanes on back side, Dynamically balanced, ISO G6.3, Cast Iron, Class 30
- **SHAFT & HARDWARE:** 304 Stainless steel, Grade 2A
- **PAINT:** Industrial grade powder coating
- **SQUARE RINGS:** Buna-N
- **SEAL:** Inboard, Single mechanical, Oil Filled, Type 21 Silicon Carbide/Buna-N, w/Secondary Exclusion Seal
- **UPPER BEARING:** Single row, ball, oil lubricated
- **LOWER BEARING:** Single row, ball, oil lubricated
- **POWER CORD:** SJOOW, 16/3 Cord, with plug on 115 volt. Kellum Grip & Pressure Grommet for Sealing and Strain Relief. 15ft Standard
- **MOTOR:** Class H Insulation, VPI - Vacuum Pressure Impregnated, Oil Filled, Squirrel Cage Induction
- **SINGLE PHASE:** Permanent Split Capacitor (PSC), Includes overload protection in motor
- **STRAINER:** Sludge, Bar type with 3" extended feet. \* 1/2" solids through strainer, 2" without strainer
- **OPTIONAL:** 200°F High Temperature Level Control wide angle, mechanical, normally open, 15 Ft. cord w/Piggy-Back plug, P/N: PF17A43
- **WARRANTY:** 1 year



**WARNING:** CANCER AND REPRODUCTIVE HARM-  
WWW.P65WARNINGS.CA.GOV



**Submersible Sewage  
2" Discharge,  
1/2" Spherical Solids\*  
Wide Angle Float**

MODEL	HP	Hz	Volts/ Ph	RPM	Full Load Amps	Locked Rotor Amps	NEMA Start Code	Cord O.D.
PFS411HTCE-2	4/10	60	115/1	1750	10.0	24.5	N	0.325

Remove Plug for use with Control Panel



**Power-Flo Pumps & Systems**

*a Power-Flo Technologies company*

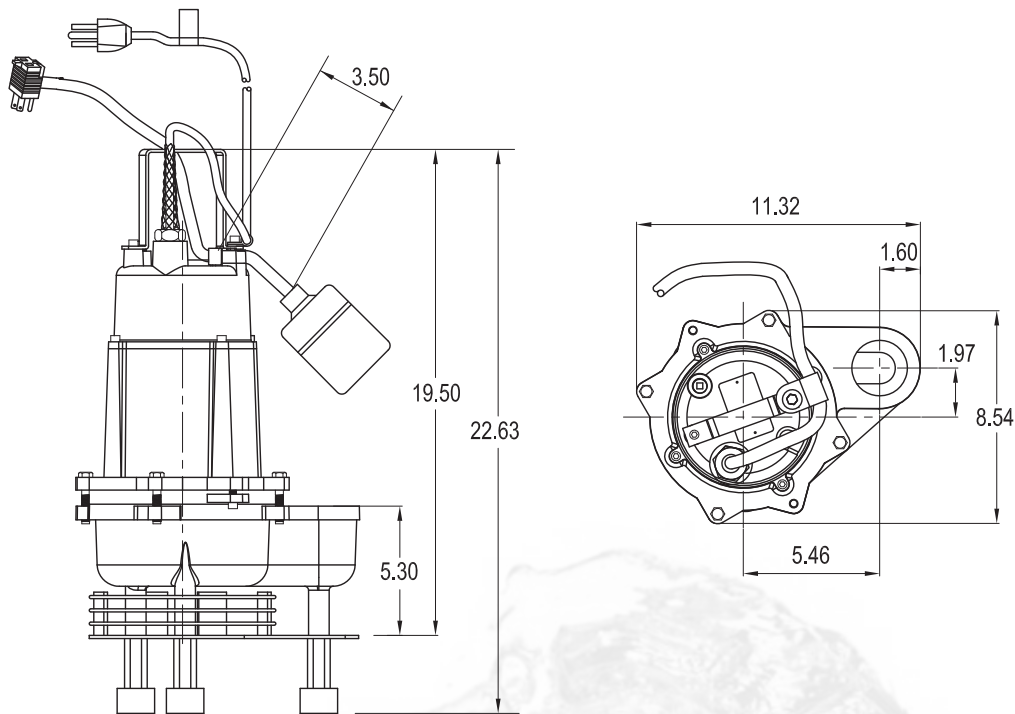
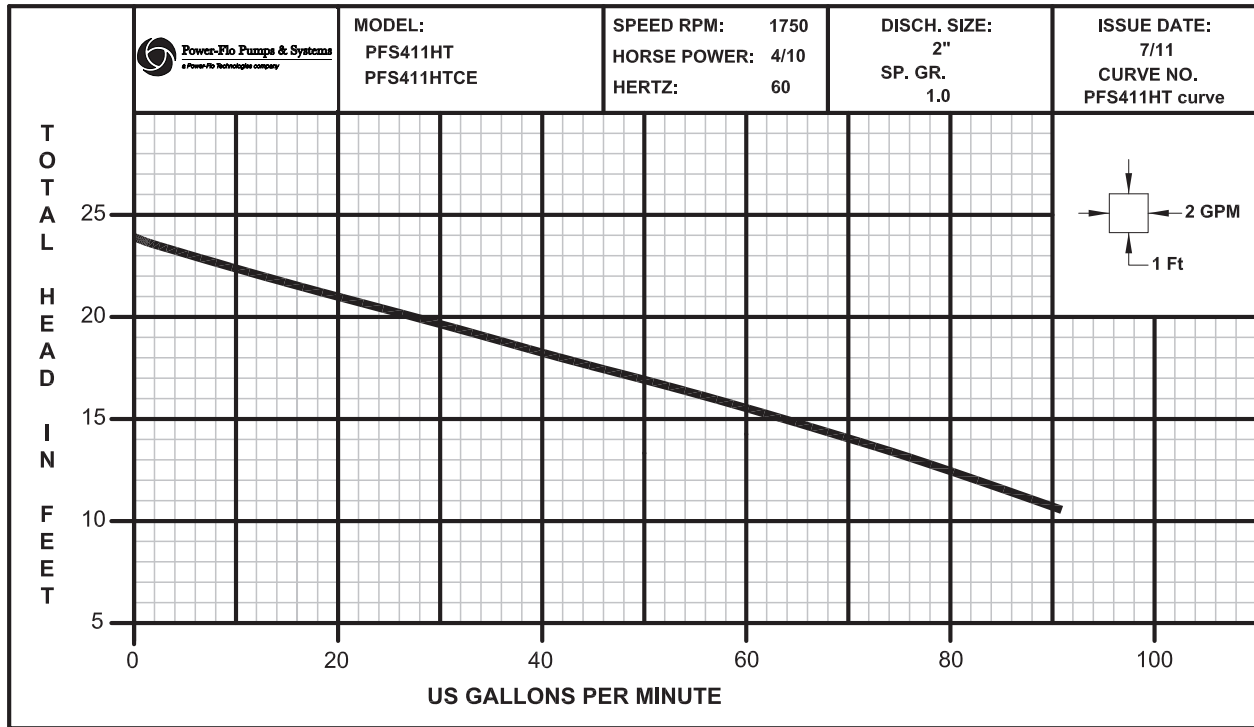
877-24PUMPS • fax: 516-812-6897 • www.powerflopumps.com

**Sewage Pumps - PFS - High Temp, 4/10HP - 1750RPM - 60Hz**

Sect.  
5  
Page  
11  
Rev.  
02/2021

# Sewage Pumps - PFS - High Temp, 4/10HP - 1750RPM - 60Hz

**Model: PFS411HTCE-2**



Shown with Optional Level Control

