

Models: PF300SC

Features:

The design of the Slide Couplings allows the submersible pump to be installed or removed without requiring personnel to enter the wet well.

- **DISCHARGE:** 3" NPT, Female, Vertical
- **SOLIDS:** 3" Diameter Spherical
- **BASE ELBOW:** Ductile iron
- **PULL-OUT-FLANGE:** Ductile iron
- **LOWER GUIDE PLATE:** Stainless steel
- **PUMP ADAPTER:** Stainless steel, 3" NPT Male
- **HARDWARE:** Stainless steel
- **LIFTING EYE BOLT:** Stainless steel
- **O-RING:** Buna-N
- **PAINT:** Powder Coated
- **UPPER GUIDE PLATE:** Stainless steel
- **GUIDE RAIL PINS:** Will Accept 3/4", 1.00" and 1-1/4" Pipe Rails
- **WEIGHT ALLOWANCE:** Max pump weight 400lbs.
- **WARRANTY:** 1 year

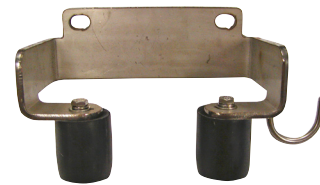


WARNING: CANCER AND REPRODUCTIVE HARM-
WWW.P65WARNINGS.CA.GOV

Assemblies **DO NOT** include Pump, Discharge piping, Guide Rails, Lifting Chain nor Gate Valve and Handle.



**Slide Coupling Assembly
with Upper Guide Rail
Bracket**



Stainless Upper Guide Bracket

Accessories - Slide Couplings - 3"



Power-Flo Pumps & Systems

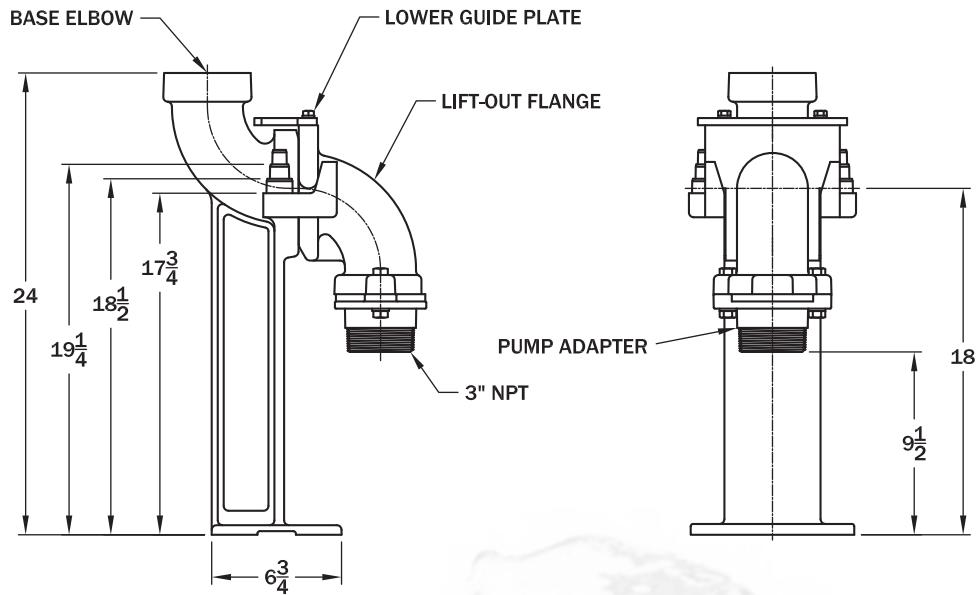
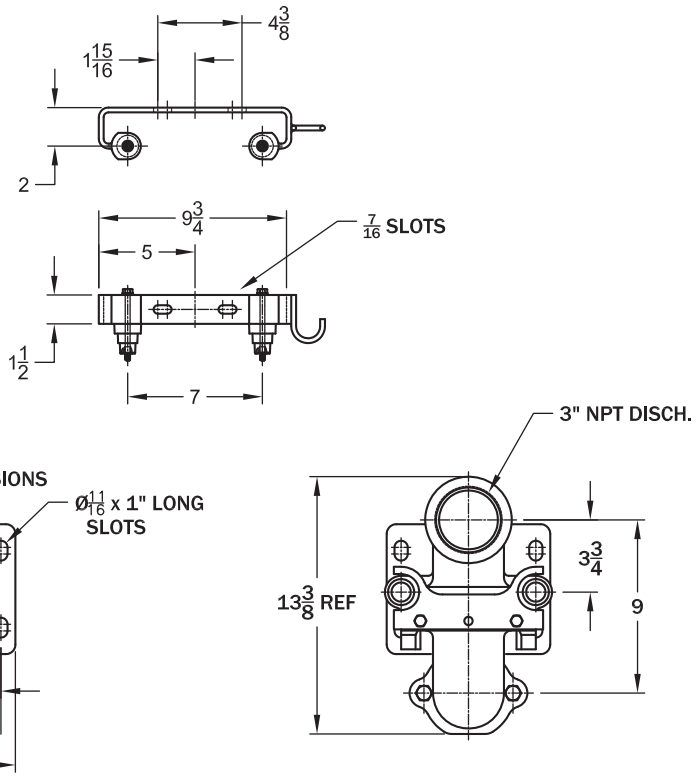
a Power-Flo Technologies company

877-24PUMPS • fax: 516-812-6897 • www.powerflopumps.com

Sect.
AC
Page
5
Rev.
02/2021

Models: PF300SC

Accessories - Slide Couplings - 3"



MODEL	SIZE
PF300SC	3"

