

Model: PFD FB - Duplex Basin Package

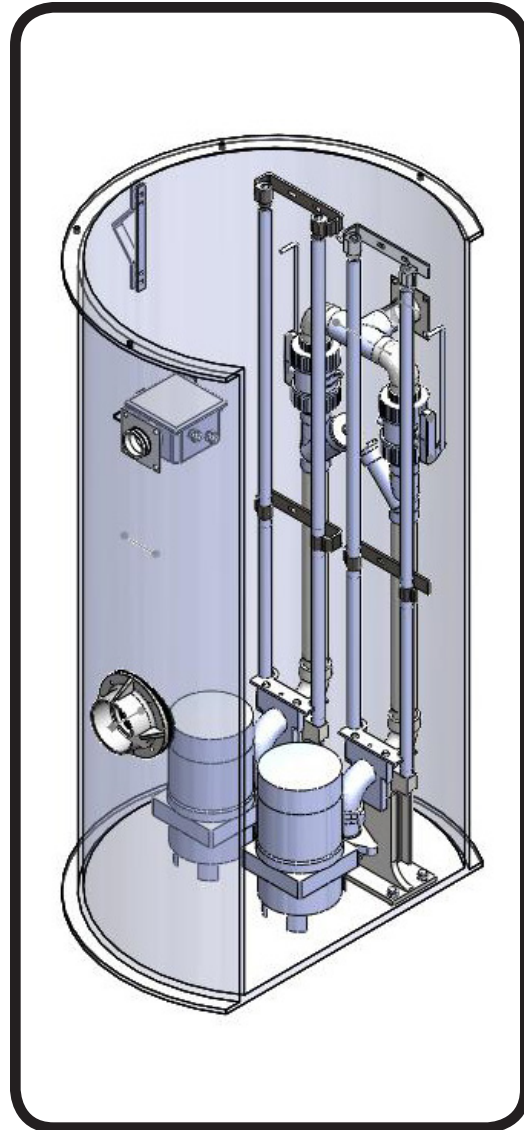
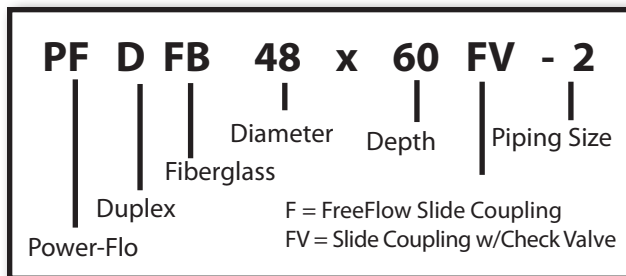
Features:

For use with 1½", 1¼", 2" or 3" Discharge Sewage and Effluent pumps.
Use drawing on following page to select components, sizes and materials.
Package Systems done on "AS QUOTE" only.

- **BASIN:** Fiberglass with 3" Anti-Flotation Flange
- **DISCHARGE PIPING:** 304 Stainless Steel, Sch 40 Galvanized Steel or Sch 80 PVC Piping
- **INLET:** 4" Hub, Shipped Loose
- **ELECTRICAL HUB:** Stainless Steel or Enameled Steel Bolt-on Coupling
- **COVER:** Solid or Hinged Lockable Covers in Fiberglass, Aluminum or Steel
- **GATE VALVE:** Brass or Sch80 PVC
- **CHECK VALVE:** Ball, Cast Iron or Sch80 PVC. 3" supplied with brass swing check valve
- **EXTENSION HANDLE:** 3/8", 304 Stainless Steel
- **LIFTING CABLE:** 3/16", 304 Stainless Steel, or Galvanized Steel
- **SLIDE COUPLING:** Powder coated ductile iron and stainless steel
- **LEVEL CONTROLS:** Supplied separately
- **GUIDE RAILS:** 3/4" or 1" Dia., Stainless Steel or Galvanized
- **FLOAT BRACKET:** Stainless Steel with 4 Cord Grips, Standard
- **VENT:** 2" NPT Stainless Steel Bolt-on Coupling
- **WARRANTY:** 1 year

 **WARNING:** CANCER AND REPRODUCTIVE HARM-
WWW.P65WARNINGS.CA.GOV

BASIN PACKAGE MODEL DESIGNATION: Example: PFD FB48x60 FV - 2



Typical Duplex Basin Package for Illustration Only

Duplex Basin Packages
Various Dia. x
Various Depths
1¼", 1½", 2" or 3" NPT
Discharge

Accessories - Duplex Basin Package



Power-Flo Pumps & Systems

a Power-Flo Technologies company

877-24PUMPS • fax: 516-812-6897 • www.powerflopumps.com

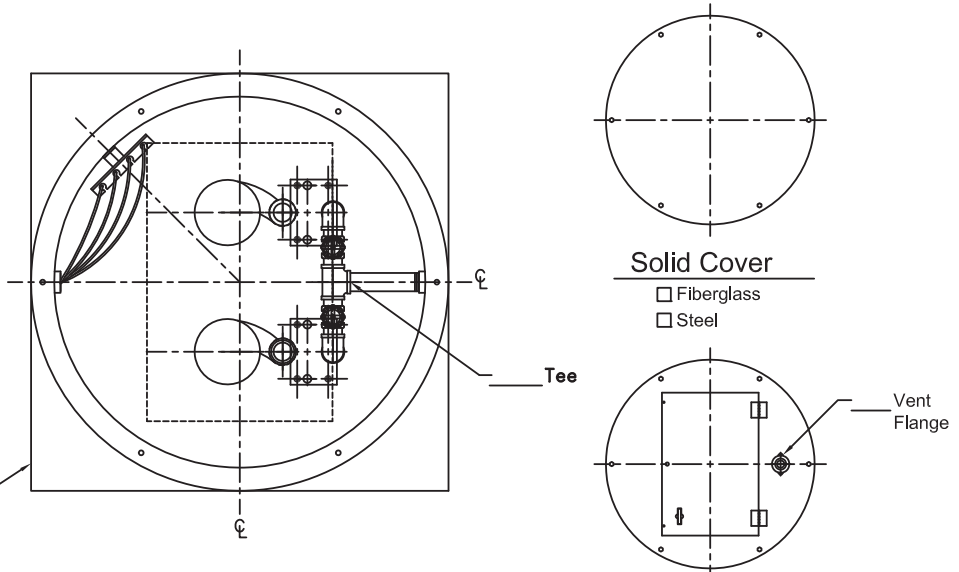
Sect.
AC
Page
21
Rev.
02/2021

PUMP INFORMATION

- Type: Effluent Pumps
 Sewage Pumps
 Grinder Pumps

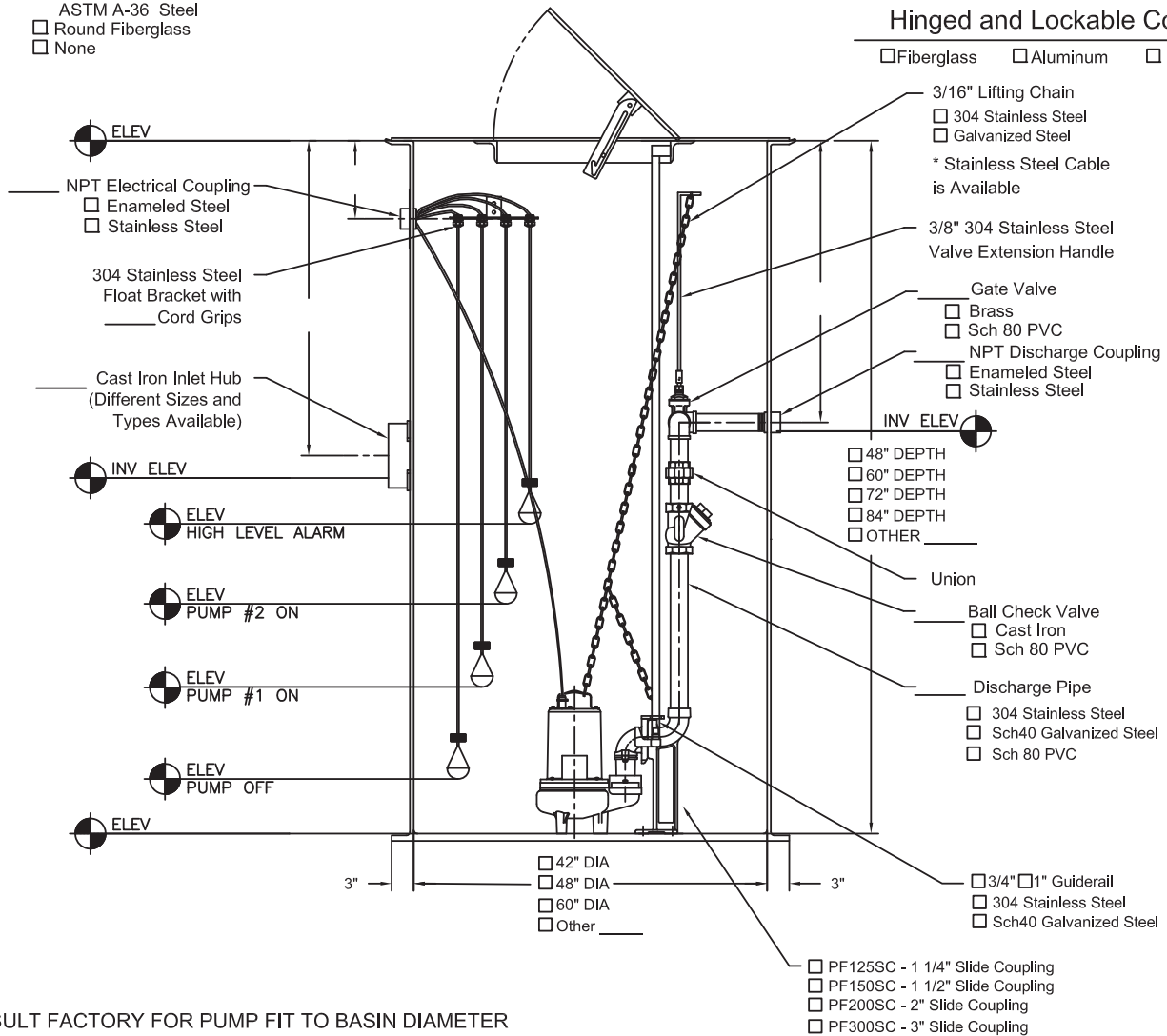
DISCHARGE PIPE

- 1 1/4"
 1 1/2"
 2"
 3"



- Anti-Floatation Flange
 Fiberglass Encapsulated
 ASTM A-36 Steel
 Round Fiberglass
 None

- Solid Cover**
 Fiberglass
 Steel
- Hinged and Lockable Cover**
 Fiberglass Aluminum Steel



- 3/16" Lifting Chain
 304 Stainless Steel
 Galvanized Steel
 * Stainless Steel Cable is Available
- 3/8" 304 Stainless Steel Valve Extension Handle
- Gate Valve
 Brass
 Sch 80 PVC
- NPT Discharge Coupling
 Enameled Steel
 Stainless Steel
- INV ELEV
- 48" DEPTH
 60" DEPTH
 72" DEPTH
 84" DEPTH
 OTHER
- Union
- Ball Check Valve
 Cast Iron
 Sch 80 PVC
- Discharge Pipe
 304 Stainless Steel
 Sch40 Galvanized Steel
 Sch 80 PVC
- 3/4" x 1" Guiderail
 304 Stainless Steel
 Sch40 Galvanized Steel

- 42" DIA
 48" DIA
 60" DIA
 Other

- PF125SC - 1 1/4" Slide Coupling
 PF150SC - 1 1/2" Slide Coupling
 PF200SC - 2" Slide Coupling
 PF300SC - 3" Slide Coupling

CONSULT FACTORY FOR PUMP FIT TO BASIN DIAMETER

Date	Revisions
A 5/7/08	First Released.



This print is and contains confidential proprietary information owned exclusively by Power-Flo Pumps & Systems. It is furnished on a strictly confidential basis. This restriction includes, but is not limited to the condition that this print will not only be used as a record or to identify or inspect parts or for other information purposes and will not be used to manufacture or procure the manufacture of the items shown in this print by any other source than Power-Flo Pumps & Systems.

250 Piper Rd., Mansfield, Ohio 44905
 Phone: 877-24PUMPS Fax: 516-812-6897

Duplex Fiberglass Basin Packages
 For 1-1/4", 1-1/2", 2", 3" Discharge Pumps

Scale: none
 Drawn By: wholler
 Reference No: 16734

Duplex Package