

**Model: PFSWCPC75201451F10
PFSWCPC75201452F10**

Features:

Submersible sewage pump designed for typical raw sewage and typical septic tank/effluent applications.

- **DISCHARGE:** 2" NPT Male, Vertical
- **LIQUID TEMPERATURE:** 32°-131°F
- **MOTOR HOUSING:** Cast Iron
- **IMPELLER:** Corrosion-resistant, reinforced Thermoplastic
- **PUMP BASE:** Cast Iron
- **SHAFT:** Stainless Steel
- **HARDWARE:** Stainless steel
- **GASKET:** Rubber
- **SEAL:** Single mechanical, Carbon/Ceramic/Stainless Steel
- **UPPER BEARING:** Single row, ball, oil lubricated
- **LOWER BEARING:** Single row, ball, oil lubricated
- **POWER CORD:** **115V** - SJTW, 16AWG/3C Cord with plug, **230V** - SJTW 18AWG/3C Cord with plug
- **MOTOR:** Energy efficient Permanent Split Capacitor (PSC), Oil filled, Class B insulation, Continuous duty (water depth must be at least 6" to prevent motor from overheating), Auto reset thermal overload protector, Circuit requirements; 115V - 20 AMPS, 230V - 10 AMPS
- **LEVEL CONTROL:** Vertical, Mechatronic, Normally Open (N/O), Reinforced thermoplastic, **115V**- SJTW 16AWG/3C, **230V** - SJTW 18AWG/3C, 10 Ft. cord with, Piggy-back plug, On-Off points are adjustable, Attaches to discharge piping
- **WARRANTY:** 3 year

 **WARNING: CANCER AND REPRODUCTIVE HARM-**
WWW.P65WARNINGS.CA.GOV



**Submersible Sewage Pump
2" Discharge,
2" Spherical Solids
Vertical Float**



| MODEL | HP | Hz | Volts/Ph | RPM | FL AMPS | Cord Length | Wt. |
|--------------------|-----|----|----------|------|---------|-------------|----------|
| PFSWCPC75201451F10 | 3/4 | 60 | 115/1 | 1750 | 9.5 | 10 ft | 32.3 lbs |
| PFSWCPC75201452F10 | 3/4 | 60 | 230/1 | 1750 | 4.7 | 10 ft | 32.3 lbs |

| HEAD in Ft | 0 Ft | 5 Ft | 10 Ft | 15 Ft | Max Lift | Max Pressure |
|---------------------------|------|------|-------|-------|----------|--------------|
| FLOW Gallon/Minute | 145 | 125 | 100 | 65 | 20 Ft | 8.8 psi |
| FLOW Gallon/Hour | 8700 | 7500 | 6000 | 3900 | | |



| PF | TYPE U, SP, SW | Motor Housing P, C | Impeller Type P, C | Suction Plate Type P, C | Motor HP 25, 33, 50, 75, 1 | 30 | 50 | Voltage 1 or 2 | Float Switch Type M, F, T | Cord Length 10, 20 |
|-----------|---|------------------------------|------------------------------|------------------------------|--|-------------------------------|---------------------------|-----------------------|--|-----------------------|
| Power-Flo | U = Utility SP = Sump Pump SW = Sewage Pump | P = Plastic C = Cast Iron | P = Plastic C = Cast Iron | P = Plastic C = Cast Iron | 25 = 1/4 HP 33 = 1/3 HP 50 = 1/2 HP 75 = 3/4 HP 1 = 1 HP | Shut Off Head (ft) | Max Flow (Gal) | 1 = 115 V 2 = 230V | M = Manual F = Fixed Vertical T = Tethered | 10 Ft 20 Ft |

EXAMPLE: PFSWCPC3330501T10 - Power-Flo Pumps - Sump Pump - Cast Iron Motor Housing - Plastic Impeller - Cast Iron Suction Plate - 1/3HP - 30' Shut Off Head - 50 GPM Max Flow - 115 Volt - Tethered Float - 10' Cord



Power-Flo Pumps & Systems

a Power-Flo Technologies company

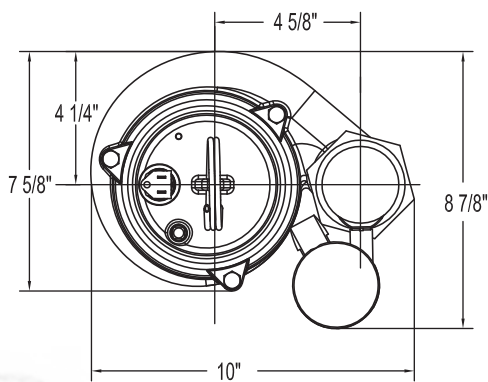
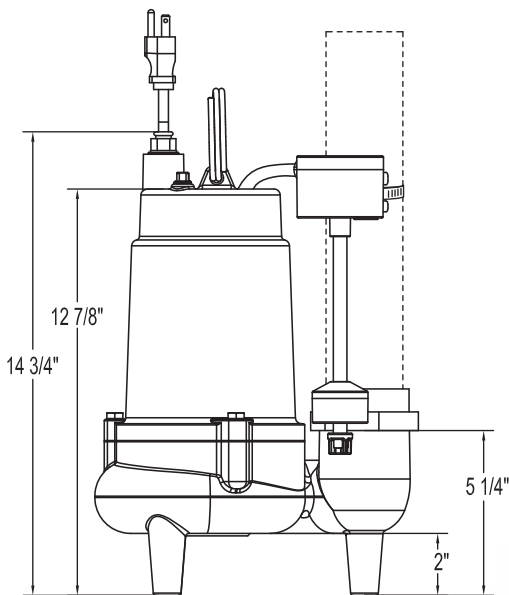
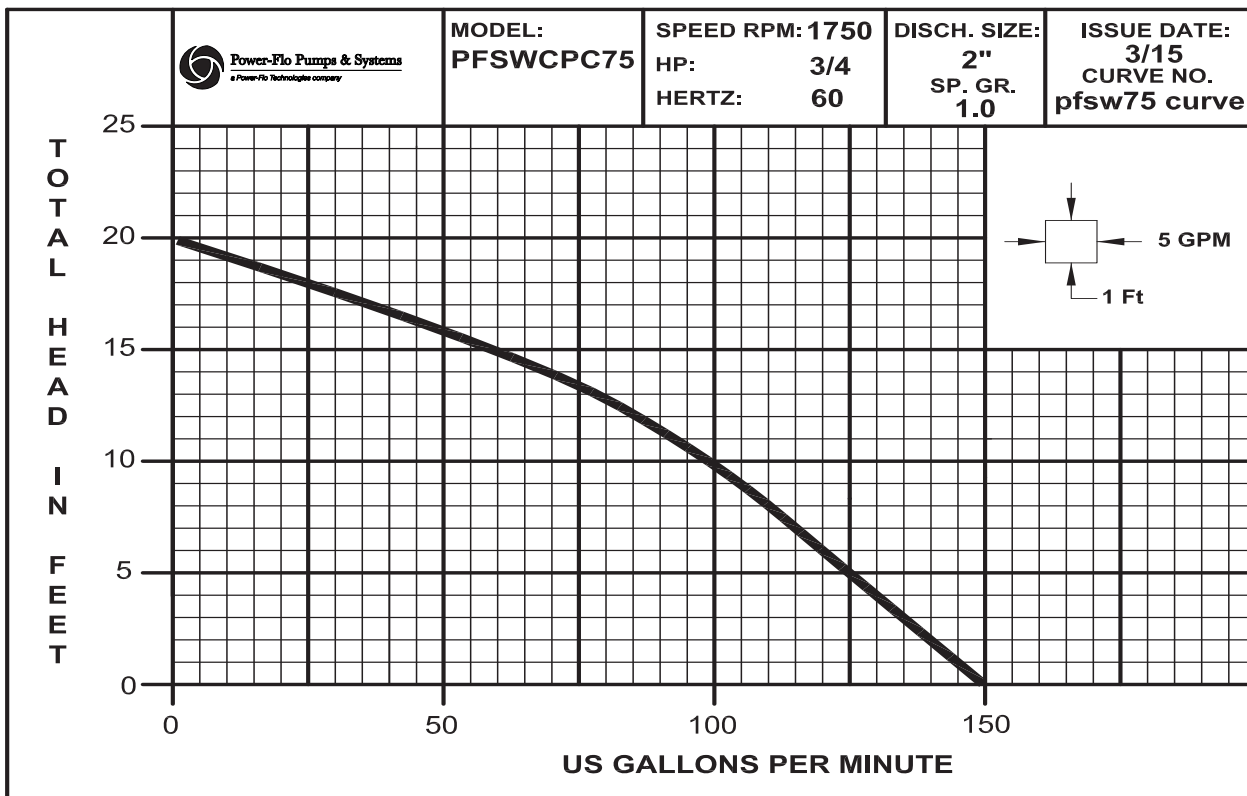
877-24PUMPS • fax: 516-812-6897 • www.powerflopumps.com

Sewage Pumps - 3/4HP - 115 & 230V - Cast Iron - 1750RPM - 60Hz

Sect. 5
Page 12.5
Rev. 02/2021

Sewage Pumps - 3/4HP - 115V & 230V - Cast Iron - 1750RPM - 60Hz

**Model: PFSWCPC75201451F10
PFSWCPC75201452F10**



| PF | TYPE U, SP, SW | Motor Housing P, C | Impeller Type P, C | Suction Plate Type P, C | Motor HP 25, 33, 50, 75, 1 | 30 | 50 | Voltage 1 or 2 | Float Switch Type M, F, T | Cord Length 10, 20 |
|-----------|---|------------------------------|------------------------------|------------------------------|--|-------------------------------|---------------------------|-----------------------|--|-----------------------|
| Power-Flo | U = Utility SP = Sump Pump SW = Sewage Pump | P = Plastic C = Cast Iron | P = Plastic C = Cast Iron | P = Plastic C = Cast Iron | 25 = 1/4 HP 33 = 1/3 HP 50 = 1/2 HP 75 = 3/4 HP 1 = 1 HP | Shut Off Head (ft) | Max Flow (Gal) | 1 = 115 V 2 = 230V | M = Manual F = Fixed Vertical T = Tethered | 10 Ft 20 Ft |

EXAMPLE: PFSPCPC3330501T10 - Power-Flo Pumps - Sump Pump - Cast Iron Motor Housing - Plastic Impeller - Cast Iron Suction Plate - 1/3HP - 30' Shut Off Head - 50 GPM Max Flow - 115 Volt - Tethered Float - 10' Cord

