

Models: PF075IB, PF100IB, PF125IB



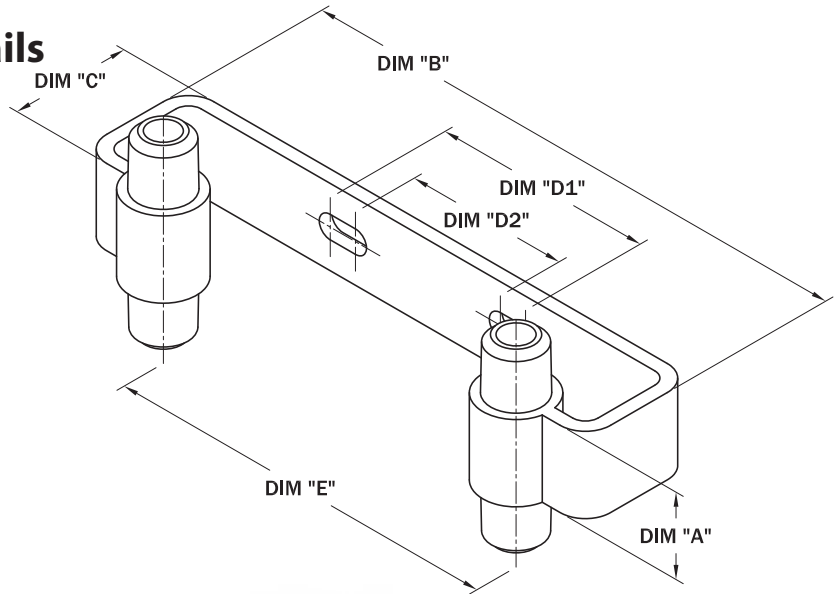
Features:

Used for every 10Ft of basin depth

- **MATERIAL:** 304 Stainless steel
- **RAIL SIZES:** 3/4", 1" & 1-1/4"
- **WARRANTY:** 1 year

 **WARNING:** CANCER AND REPRODUCTIVE HARM-
WWW.P65WARNINGS.CA.GOV

**Intermediate Guide Rail
Bracket for
3/4", 1" & 1-1/4" Rails**



PART No.	DIM "A"	DIM "B"	DIM "C"	DIM "E"	DIM 1	DIM 2
PF075IB	1-1/2	10	2-1/8	3-7/8	2-7/8	7
PF100IB	1-1/2	10	2-1/8	3-7/8	2-7/8	7
PF125IB	1-1/2	10	2-1/8	3-7/8	N/A	7



Model: PF200IB-4, PF200IB-6

Features:

Used for every 10Ft of basin depth.
For 4" piping or 6" piping

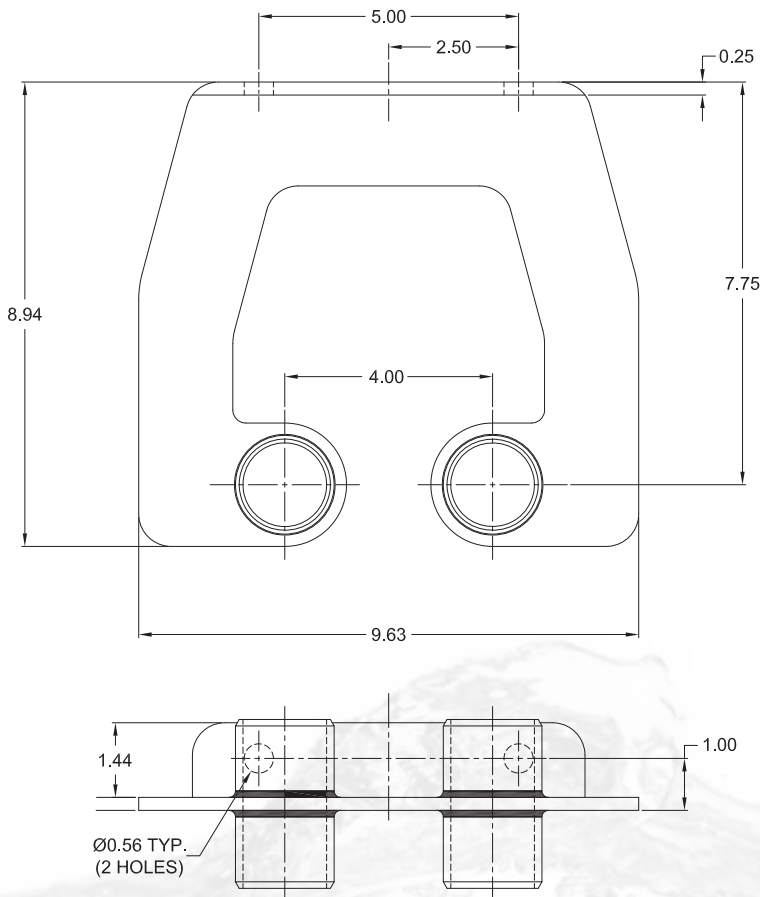
- **MATERIAL:** 304 Stainless steel
- **U-BOLT:** 304 Stainless steel
- **RAIL SIZE:** 2"
- **WARRANTY:** 1 year

 **WARNING:** CANCER AND REPRODUCTIVE HARM-
WWW.P65WARNINGS.CA.GOV

PART No.	PIPING
PF200IB-4	4"
PF200IB-6	6"



**Intermediate Guide Rail
Bracket for
2" Rails,
4" or 6" Piping**



Accessories - Intermediate Brackets



Power-Flo Pumps & Systems

a Power-Flo Technologies company

877-24PUMPS • fax: 516-812-6897 • www.powerflopumps.com

Sect.
AC
Page
17
Rev.
02/2021