

Model: PFPO3LA-8D



**Self-Priming Centrifugal,
Frame Mounted,
Solids Handling Pumps
Universal Drive
1-1/4" Solids**

Features:

Self-priming centrifugal, solids handling, frame mounted pumps designed for Industrial and Municipal applications.

- **SUCTION/DISCHARGE:** 3" x 3" ANSI, 125 lb Flanges
- **LIQUID TEMPERATURE:** 160°F Continuous
- **CASING:** Cast Iron Class 30
- **IMPELLER:** 2 Vane open type. Cast Iron, Class 30, Handles 1-1/4" diameter spherical solids
- **SHAFT:** High Carbon Steel
- **END COVER PLATE:** Cast Iron, Class 30, Removable, Full Diameter
- **VOLUTE/WEAR PLATE:** Cast Iron, Class 30, Replaceable with External Clearance Adjustment
- **SEAL PLATE:** Alloy Steel, Replaceable
- **PAINT:** Air dry enamel
- **PEDESTAL:** Cast Iron, Class 30
- **BEARING-DRIVE END:** Single Row, Ball, radial & thrust load, Oil Lubricated
- **BEARING-PUMP END:** Single Row, Ball, radial & thrust load, Oil Lubricated
- **LUBRICATION:** Bearing - SAE No. 30 non detergent oil, pedestal includes oil level sight gauge
- **SEAL:** Single mechanical, Carbon/Ceramic/Buna-N, Grease Lubricated by Self-Feeding Lubricator
- **CHECK VALVE:** Elbow and weights are Cast Iron, Class 30, Valve Flap is Neoprene
- **SQUARE RINGS:** Buna-N
- **HARDWARE:** Corrosion resistant Steel
- **OPTIONAL EQUIPMENT:** Flexible coupled assy, with base OSHA guard and electric motor.
- **WARRANTY:** 1 year
- **WEIGHT:** 242 lbs

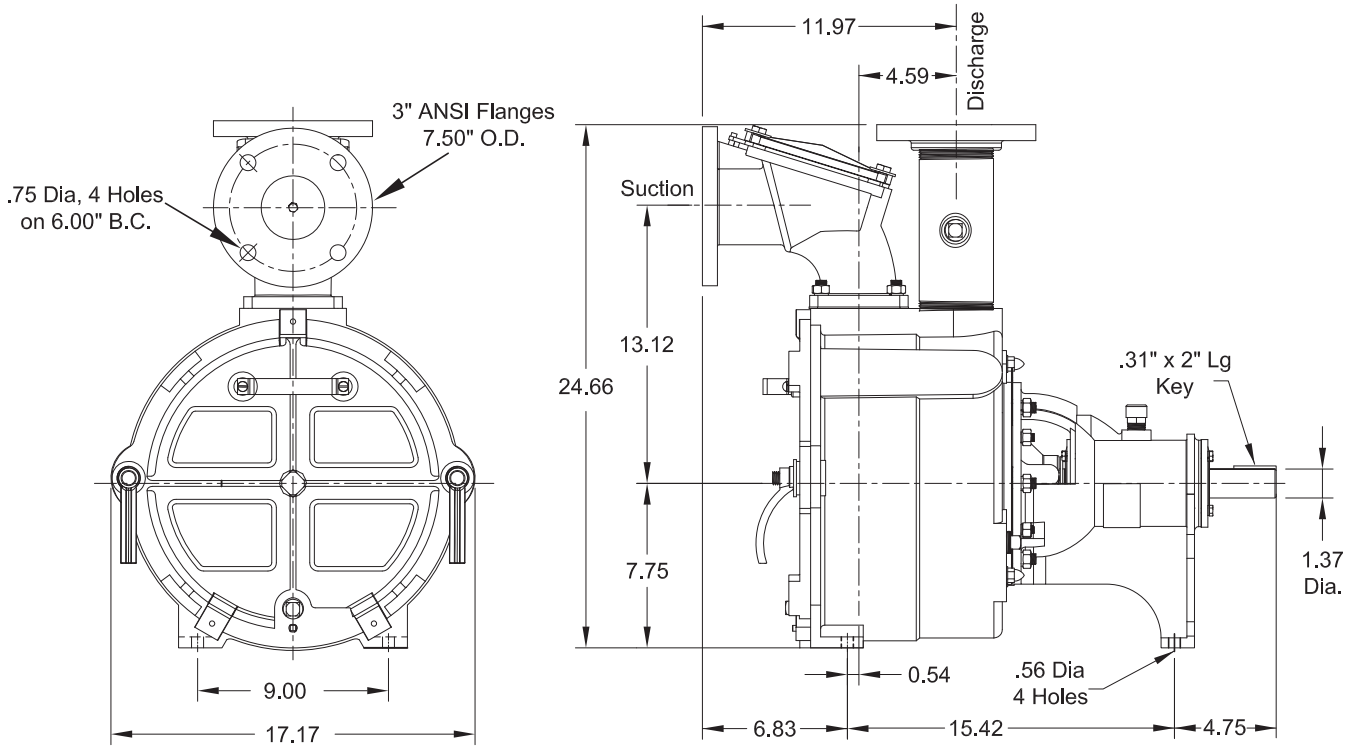


WARNING: CANCER AND REPRODUCTIVE HARM-
WWW.P65WARNINGS.CA.GOV

WARNING ! - DO NOT use in explosive atmosphere or for pumping volatile flammable liquids.



Model: PFPO3LA-8D



When pump is operating, the **SUCTION LIFT** is limited by the available **NPSH** which is corrected atmospheric pressure minus the dynamic suction lift, vapor pressure loss and 2 foot safety factor. This *net available NPSH* must exceed the *required NPSH* of the pump or a reduction of capacity, loss of efficiency, noise, vibration and cavitation will result. Calculate the dynamic suction lift from the *low* liquid level to the center line of the impeller. When pump is priming, it is limited by the dry **PRIMING LIFT** which is the vertical distance from the *high* liquid level to the center line of the impeller.

MAXIMUM DRY PRIMING LIFT					
PUMP SPEED	2 Min	4 Min	6 MIN	8 Min	10 Min
1150 RPM	8 Ft	14 Ft	17 Ft	18 Ft	19 Ft
1450 RPM	14 Ft	20 Ft	22 Ft	23 Ft	25 Ft
1750 RPM	22 Ft	25 Ft	25 Ft	25 Ft	25 Ft
2050 RPM	24 Ft	25 Ft	25 Ft	25 Ft	25 Ft
2200 RPM	25 Ft	25 Ft	25 Ft	25 Ft	25 Ft

Self-Priming Centrifugal Pumps - PFPO3LA-8D - 3" x 3"



Power-Flo Pumps & Systems

a Power-Flo Technologies company

877-24PUMPS • fax: 516-812-6897 • www.powerflopumps.com

Sect.
SP
Page
71
Rev.
02/2021

Model: PFPO3LA-8D

Self-Priming Centrifugal Pumps - PFPO3LA-8D - 3" x 3"

