

**Models: PFGPC2002HVS, PFGPC2022HVS, PFGPC2022HVSA, PFGPC2002HHS, PFGPC2022HHS, PFGPC2022HHS A**

**Features:**

Designed to reduce domestic, commercial, institutional and light industrial sewage to a finely ground slurry.

- **DISCHARGE:** 1-1/4" NPT Vertical Bolt-on Flange
- **LIQUID TEMPERATURE:** 160°F Intermittent
- **MOTOR HOUSING, VOLUTE & SEAL PLATE:** Cast Iron, Class 30
- **IMPELLER:** 12 vane, Vortex with pump out vanes on back side, Dynamically balanced, ISO G6.3, Bronze
- **SHREDDING RING & CUTTER:** Stainless steel
- **SHAFT & HARDWARE:** Stainless steel
- **PAINT:** Industrial Grade Powder Coating
- **SQUARE RINGS:** Buna-N
- **SEAL:** Single mechanical, 3/4 inch, Outboard, in Oil Filled reservoir, Carbon/Ceramic/Buna-N
- **UPPER BEARING:** Single row, ball, oil lubricated
- **LOWER BEARING:** Single row, ball, oil lubricated
- **POWER CORD:** 20 Ft. SOW, 12/3 Custom molded Cord with plug, Pressure Grommet for Sealing and Strain Relief
- **MOTOR:** Class B Insulation, Oil Filled, Squirrel cage induction
- **SINGLE PHASE:** Capacitor Start/Capacitor Run, Included. Includes overload protection in the motor.
- **LEVEL CONTROL - "A":** Wide Angle, Mechanical Float, 20Ft Cord with Piggy-Back Plug, Normally Open, 15 Amp. 3.50" Tether for 7" Pumping Range, Adjustable, P/N: PF20PMPD2WP (230 Volt Models Only, HVSA / HHS A)
- **WARRANTY:** 1 year

 **WARNING: CANCER AND REPRODUCTIVE HARM-**  
[WWW.P65WARNINGS.CA.GOV](http://WWW.P65WARNINGS.CA.GOV)



**Submersible Grinder  
 PFGPC  
 1-1/4" Discharge,  
 Single Seal**



MODEL	HP	Hz	Volts/ Ph	RPM	Full Load Amps	Locked Rotor Amps	NEMA Start Code	Cord Type	Cord Size	Cord O.D.	Simplex Control	Duplex Control
<b>High Volume - Single Seal Series</b>												
PFGPC2002HVS	2	60	200/1	3450	17.0	53.0	F	SOW	12/3	.67	PF1021	PF2021
PFGPC2022HVS	2	60	230/1	3450	15.0	53.8	H	SOW	12/3	.67	PF1023	PF2023
PFGPC2022HVSA	2	60	230/1	3450	15.0	53.8	H	SOW	12/3	.67	---	---
<b>High Head - Single Seal Series</b>												
PFGPC2002HHS	2	60	200/1	3450	17.0	53.0	F	SOW	12/3	.67	PF1021	PF2021
PFGPC2022HHS	2	60	230/1	3450	15.0	53.8	H	SOW	12/3	.67	PF1023	PF2023
PFGPC2022HHS A	2	60	230/1	3450	15.0	53.8	H	SOW	12/3	.67	---	---

NOTE: Remove plug for use with control panel

**IMPORTANT! - DO NOT** introduced into any sewer, either directly, or through a kitchen waste disposal unit or toilet: *Seafood Shells, Aquarium Gravel, Cat Litter, Plastic Objects (toys, utensils, etc.), Sanitary Napkins or Tampons, Diapers, Rags, Disposable Wipes or Cloth, Medications, Flammable Material, Oil or Grease, Strong Chemicals, or Gasoline.*

These pumps are not approved for use in swimming pools, recreational water parks, or installations where human contact with pumped media is a common occurrence.



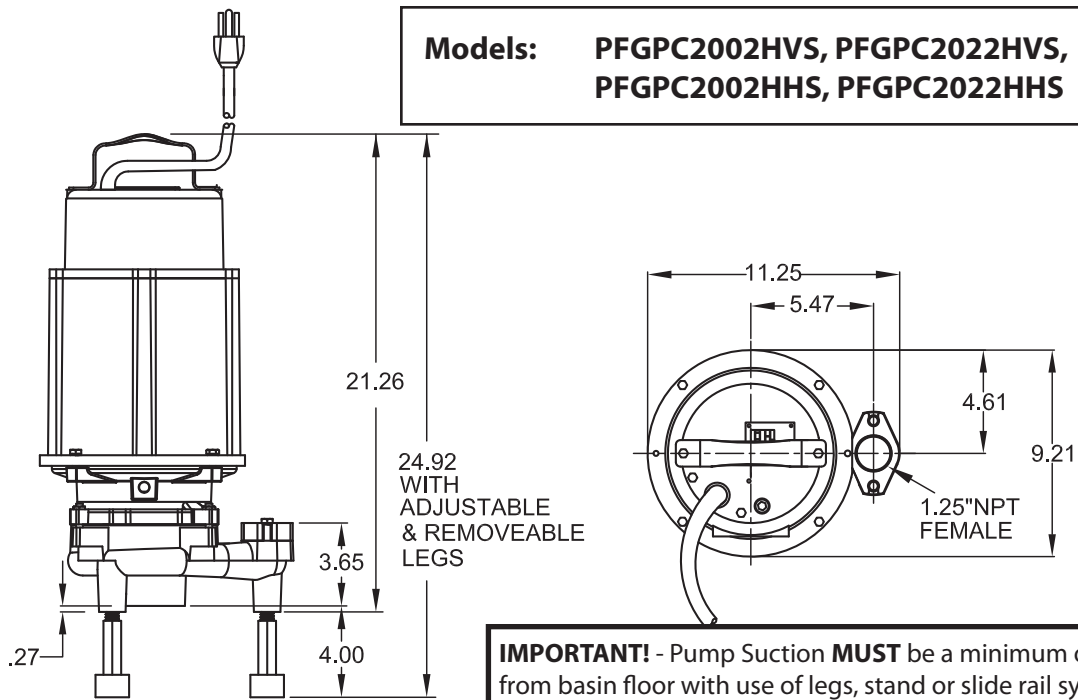
**Power-Flo Pumps & Systems**

*a Power-Flo Technologies company*

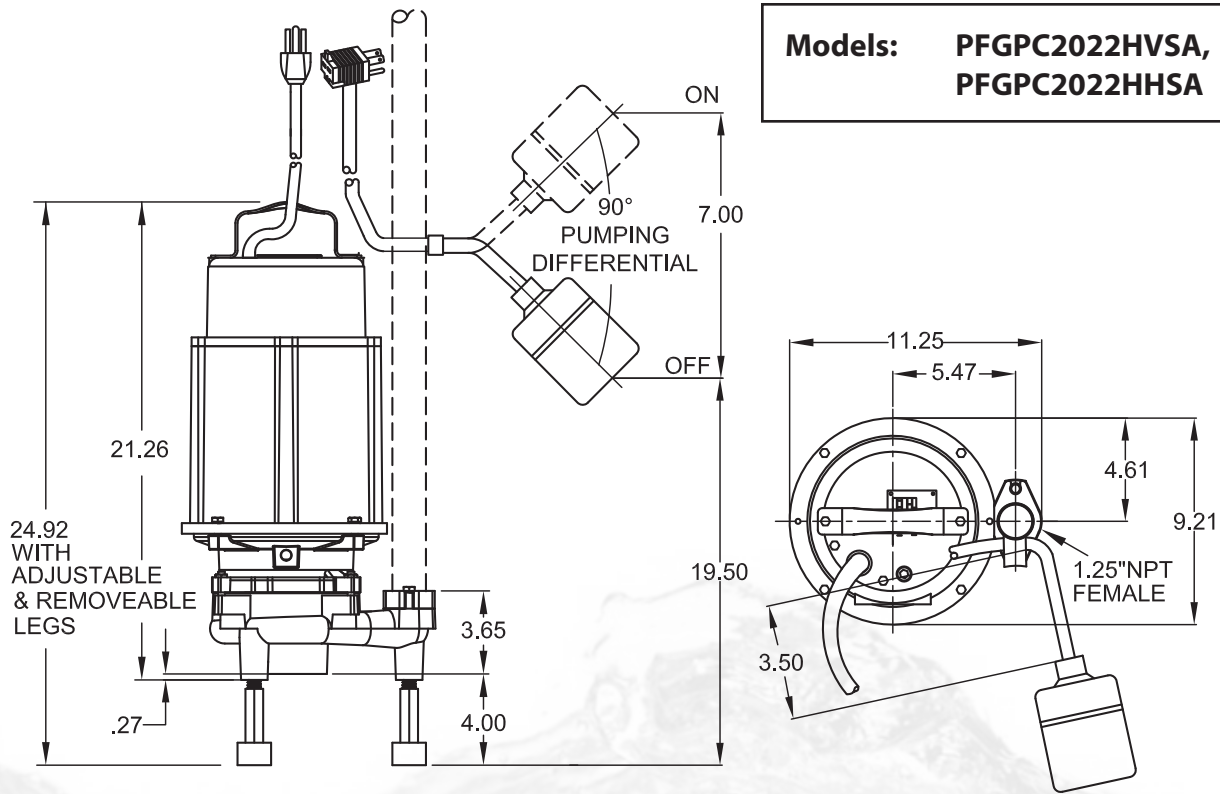
877-24PUMPS • fax: 516-812-6897 • [www.powerflopumps.com](http://www.powerflopumps.com)

**1-1/4" - Grinder Pumps - PFGPC - HVS & HHS - 2.HP - 3450RPM - 60Hz**

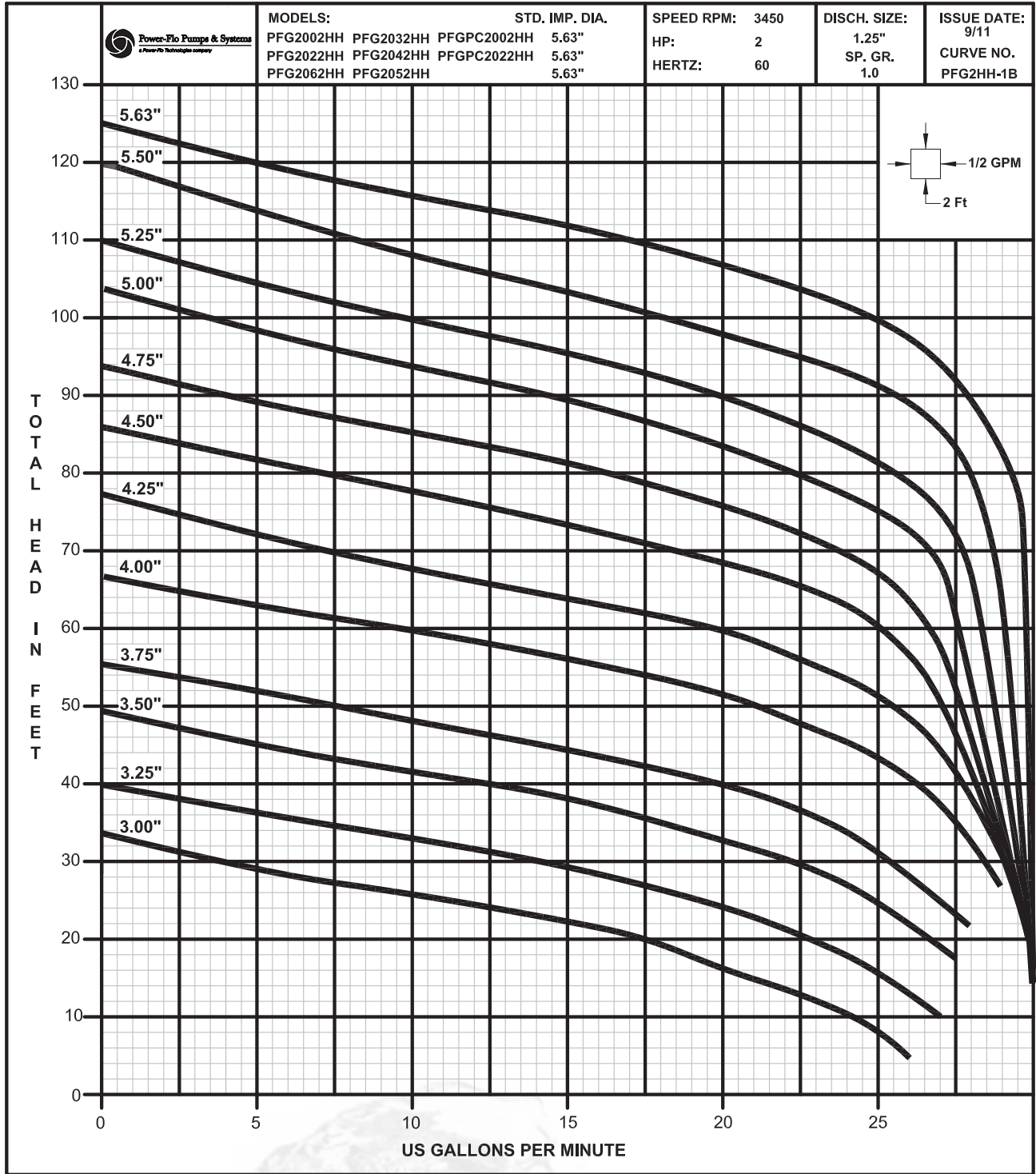
**Models: PFGPC2002HVS, PFGPC2022HVS, PFGPC2022HVSA, PFGPC2002HHS, PFGPC2022HHS, PFGPC2022HSA**



**IMPORTANT!** - Pump Suction **MUST** be a minimum of 4" from basin floor with use of legs, stand or slide rail system. Remove legs when used with slide rail system.



**Models: PFGPC2002HHS, PFGPC2022HHS, PFGPC2022HHS**



**1-1/4" - Grinder Pumps - PFGPC - HHS - 2.HP - 3450RPM - 60Hz**



**Power-Flo Pump & Systems**

*a Power-Flo Technologies company*

877-24PUMPS • fax: 516-812-6897 • [www.powerflopumps.com](http://www.powerflopumps.com)

Sect. G  
Page 3  
Rev. 02/2021

# 1-1/4" - Grinder Pumps - PFGPC - HVS - 2.HP - 3450RPM - 60Hz

Models: PFGPC2002HVS, PFGPC2022HVS, PFGPC2022HVS

