

Models: PF1004, PF1014, PF1024, PF1034, PF1044, PF1054, PF1084
For Sewage, Effluent, Grinder & Non-Clog Pumps

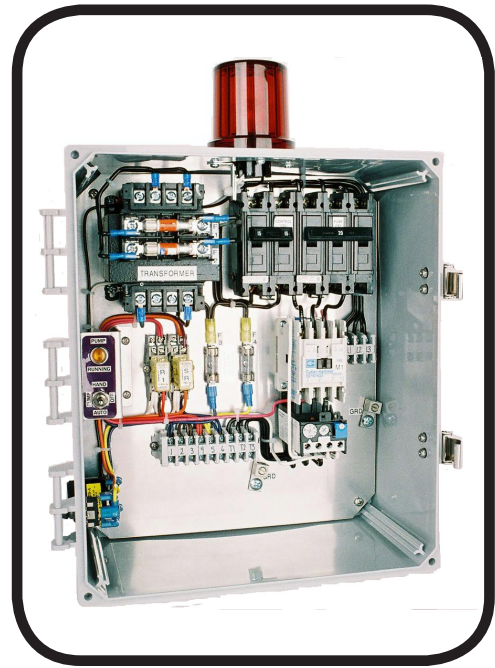
Features:

- **ENCLOSURE:** NEMA 4X weather resistant Poly enclosure with stainless door latches w/padlock hasp
- **CIRCUIT BREAKER:** For pump and control circuit
- **CONTACTOR:** IEC
- **OVERLOAD RELAY:** Bimetal type, ambient compensated
- **HEATER ELEMENT:** Class 10 quick trip, one heater for each phase
- **SWITCH:** Pump Hand-off-Auto
- **SWITCH:** External, Test/Normal/Silence with UV resistant sealing boot
- **LIGHT:** Green pump run
- **SUB PLATE:** Switch and light mounting
- **FUSE:** 1 Amp, Control circuit
- **FUSE:** 1 Amp, Alarm circuit
- **TRANSFORMER:** With primary & secondary fuse protection
- **TERMINAL STRIP:** Box lugs for customer wiring & ground lugs
- **WIRING:** Color coded internal wiring
- **AUDIBLE ALARM:** Externally mounted 90 db @ 10 Ft. buzzer
- **ALARM LIGHT:** 360 degree red alarm light
- **SEAL LEAK SENSOR*:** Seal leak circuit with indicator light
- **TEMPERATURE SENSOR*:** Motor heat sensor circuit with indicator light
- **LEVEL CONTROL:** Includes Qty. 3, normally open, mechanical, pilot duty, narrow angle, 5 Amp @ 120/240 VAC, Floats with 15 Ft. 16/2, SJOW cords and external weight.

Built and Labeled to UL 508A standard with NEMA 4X rating.
 Consult factory for other available options.
 Some options may require an increase in the enclosure size.



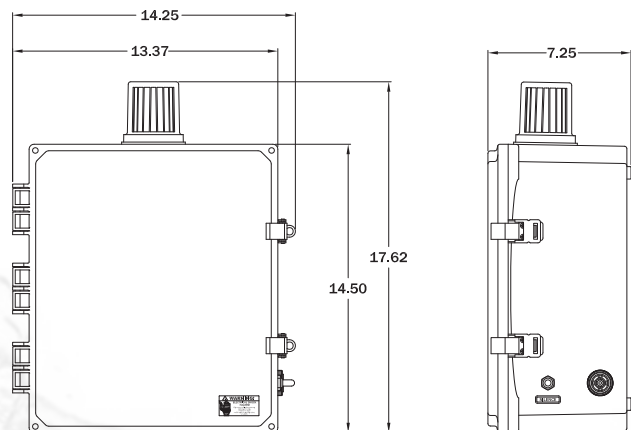
WARNING: CANCER AND REPRODUCTIVE HARM-
WWW.P65WARNINGS.CA.GOV



Control Panel
Simplex, NEMA 4X
Three Phase,
230 Volt



HP	VOLTS	MAX AMPS	PART NUMBER
1/2	230	0-11	PF1004-O
3/4, 1	230	0-11	PF1014-O
1-1/2, 2	230	0-11	PF1024-O
2.8	230	0-11	PF1034-O
1-1/2, 2	230	20	PF1024-O-20
2.8, 3	230	20	PF1034-O-20
3	230	20	PF1034-OST-20
3.7	230	20	PF1044-O-20
4.5, 5	230	20	PF1054-ST-20
4.5, 5	230	20	PF1054-O-20
4.5, 5	230	20	PF1054-OST-20
5	230	25	PF1054-OST-25
7.5	230	20	PF1084-ST-20
7.5	230	25	PF1084-OST-25



(*) ST = Seal Leak & Motor Thermal Overload Detection
 C= Capacitor Start Components, O = Overload Protection



Power-Flo Pumps & Systems

a Power-Flo Technologies company

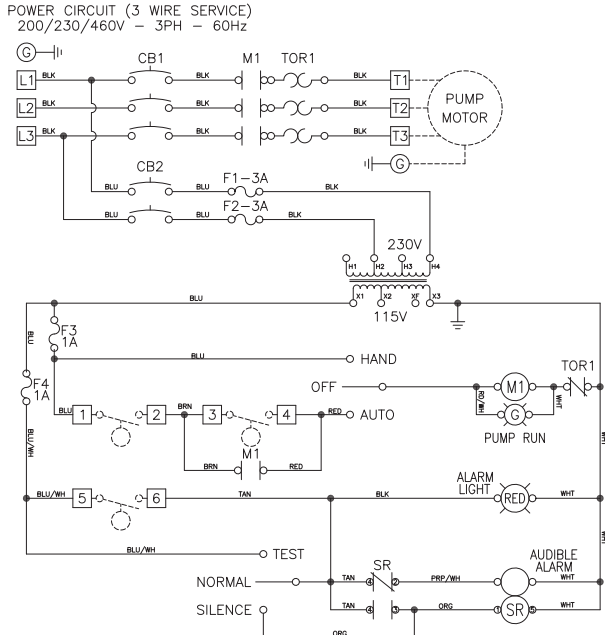
877-24PUMPS • fax: 516-812-6897 • www.powerflopumps.com

Accessories - Control Panels - Simplex - 230 Volt - 3Ph

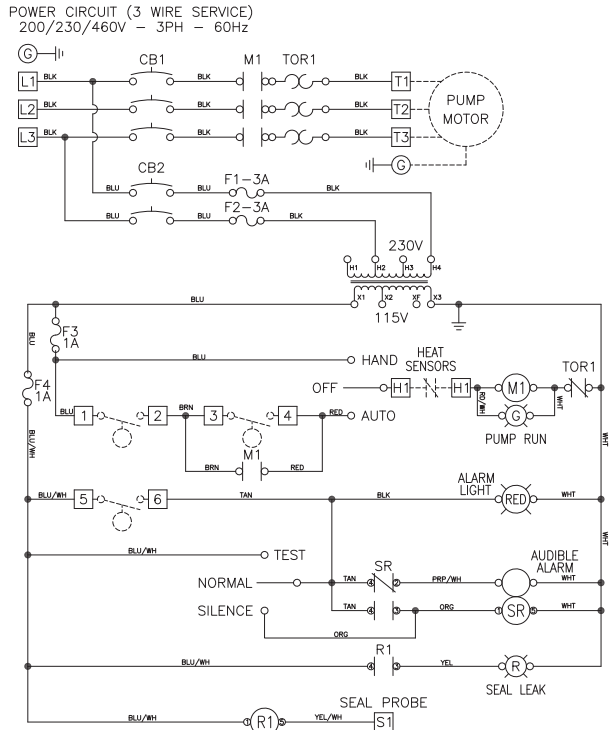
Models: PF1004, PF1014, PF1024, PF1034, PF1044, PF1054, PF1084
For Sewage, Effluent, Grinder & Non-Clog Pumps

Accessories - Control Panels - Simplex - 230 Volt - 3Ph

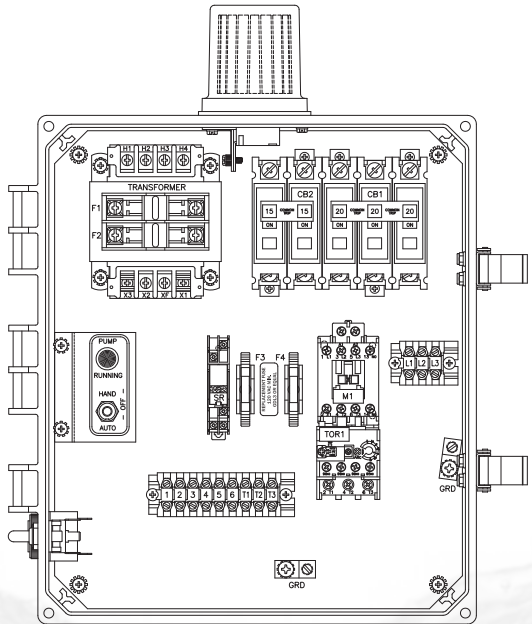
Standard Panel Schematic



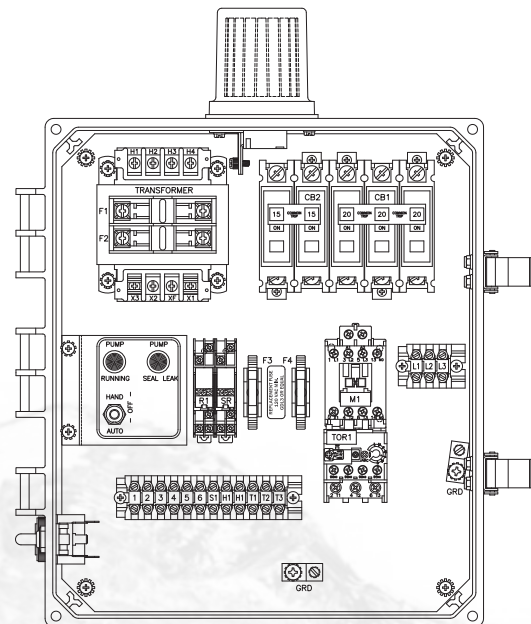
Panel Schematic w/Seal Leak & Mtr Thermal OL



Standard Panel Layout



Panel Layout w/Seal Leak & Mtr Thermal OL



NOTE:
 Panels that are **NOT** indicated with (ST*) **do not** include Seal Leak and Mtr Overload detection

