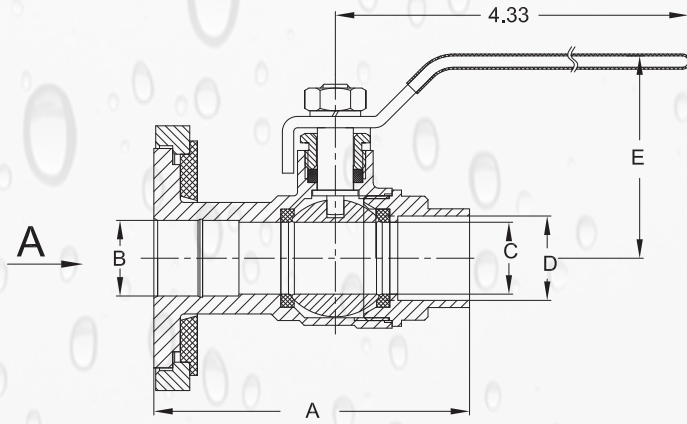
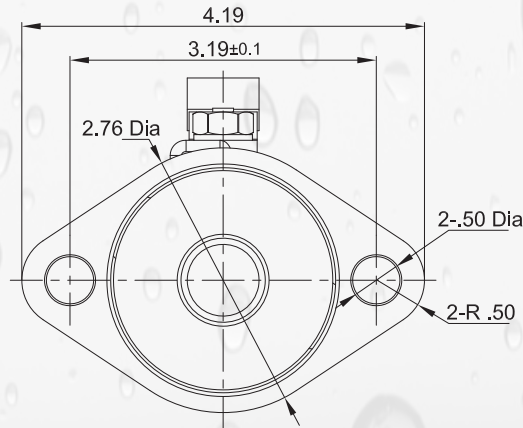


Models: PFF75BSISOS, PFF1BSISOS, PFF125BSISOS



A - View



Circulator Flanges 3/4", 1", 1-1/4" Copper Sweat Connection, Bronze

Bronze copper sweat circulator flanges come with one (1) rotating flange with locking ring, two (2) bolts, two (2) hex nuts, lever handle and tee handle.

MODEL/PART NUMBER	PIPE SIZE	FLANGE MATERIAL	CONNECTION	PACKAGING	WT. lbs
PFF75BSISOS	3/4"	Bronze	Copper Sweat	Single w/nuts & bolts	2.2
PFF1BSISOS	1"	Bronze	Copper Sweat	Single w/nuts & bolts	2.23
PFF125BSISOS	1-1/4"	Bronze	Copper Sweat	Single w/nuts & bolts	2.56

MODEL/PART NUMBER	A	B	C	D	E
PFF75BSISOS	3.29	.79 Dia	.75 Dia	.88 Dia	2.11
PFF1BSISOS	3.39	1.23 Dia	.98 Dia	1.13 Dia	2.26
PFF125BSISOS	3.92	1.38 Dia	1.14 Dia	1.38 Dia	2.42

PF	F	Pipe Size 75,1,125,150	Flange Material D,B	Construction Style S,T	ISO	Packaging Detail S,P
Power-Flo	Flange	75 = 3/4" 1 = 1" 125 = 1-1/4" 150 = 1-1/2"	D = Ductile Iron B = Bronze	S = Copper Sweat T = Threaded IPS	Isolation Flange with Ball Valve and dual handle option	S = Single with nuts & bolts P = Pair with nuts & bolts

EXAMPLE: PFF75DTP - Power-Flo Pumps - Pump Flange - 3/4" - Ductile Iron - Threaded - NON-ISO - Pair with nuts & bolts.

