

Models: PF6NC18034, PF6NC18044, PF6NC24034, PF6NC24044, PF6NC30034, PF6NC30044, PF6NC36034, PF6NC36044, PF6NC48044, PF6NC60044

Features:

Submersible non-clog sewage pump designed for typical raw sewage applications.

- **DISCHARGE:** 6" 125 lb., ANSI Flange, Horizontal
- **LIQUID TEMPERATURE:** 104°F
- **MOTOR HOUSING, VOLUTE & SEAL PLATE:** Cast Iron, Class 30
- **IMPELLER:** Single vane enclosed type with pump out vanes on back side, Dynamically balanced, ISO G6.3, Cast Iron, Class 30
- **SHAFT & HARDWARE:** Stainless steel
- **PAINT:** Air dry enamel
- **SQUARE RINGS:** Buna-N
- **SEAL:** Double mechanical, , 1.875 inch, Oil Filled pressure equalized reservoir, Carbon/Ceramic/Buna-N inner seal, Silicon Carbide/Buna-N outer seal
- **UPPER BEARING:** Single row, ball, oil lubricated
- **LOWER BEARING:** Double row, ball, oil lubricated
- **POWER CORD:** 25 Ft. G type cord. Epoxy sealed housing with secondary Pressure grommet for sealing and strain relief.
- **SENSOR CORD:** 25 Ft. 18/5, 0.476 inch O.D., SOW type
- **MOTOR:** Class F Insulation, Oil Filled
- **THREE PHASE:** 230/460 Volt. Dual Voltage. Requires overload protection to be included in control panel.
- **SEAL LEAK SENSOR:** Normally open (N/O), 2 probe design. requires relay in control panel. (Included in listed panels)
- **TEMPERATURE SENSOR:** Normally closed (N/C), requires relay in control panel. (Included in listed panels)
- **WARRANTY:** 1 year

 **WARNING: CANCER AND REPRODUCTIVE HARM-**
WWW.P65WARNINGS.CA.GOV



**Submersible Non-Clog
6" Discharge,
3" Spherical Solids,
Double Seal**

MODEL	HP	Volts/Ph	NEMA START CODE	FULL LOAD AMPS	LOCKED ROTOR AMPS	CORD SIZE	CORD TYPE	CORD O.D. inch	SIMPLEX PANEL P/N	DUPLEX PANEL P/N
PF6NC18034	18	230/3	F	50.6	232.0	2/3-3G	G	1.34	PF1184-OST-65	PF2184-OST-65
PF6NC18044	18	460/3	F	25.3	116.0	2/3-3G	G	1.34	PF1185-OST-32	PF2185-OST-32
PF6NC24034	24	230/3	E	62.8	290.0	2/3-3G	G	1.34	PF1244-OST-65	PF2244-OST-65
PF6NC24044	24	460/3	E	31.4	145.0	2/3-3G	G	1.34	PF1245-OST-32	PF2245-OST-32
PF6NC30034	30	230/3	E	75.8	364.0	2/3-3G	G	1.34	PF1304-OST-80	PF2304-OST-80
PF6NC30044	30	460/3	E	37.9	182.0	2/3-3G	G	1.34	PF1305-OST-65	PF2305-OST-65
PF6NC36034	36	230/3	E	90.0	434.0	2/3-3G	G	1.34	PF1364-OST-95	PF2364-OST-95
PF6NC36044	36	460/3	E	45.0	217.0	2/3-3G	G	1.34	PF1365-OST-65	PF2365-OST-65
PF6NC48044	48	460/3	E	65.0	290.0	2/3-3G	G	1.34	PF1485-OST-65	PF2485-OST-65
PF6NC60044	60	460/3	E	78.0	363.0	2/3-3G	G	1.34	PF1605-OST-80	PF2605-OST-80

Seal Leak Sensor Relay kit PF0861 and Temperature Sensor Relay Kit PF0876 are available for panels by others.



Power-Flo Pumps & Systems

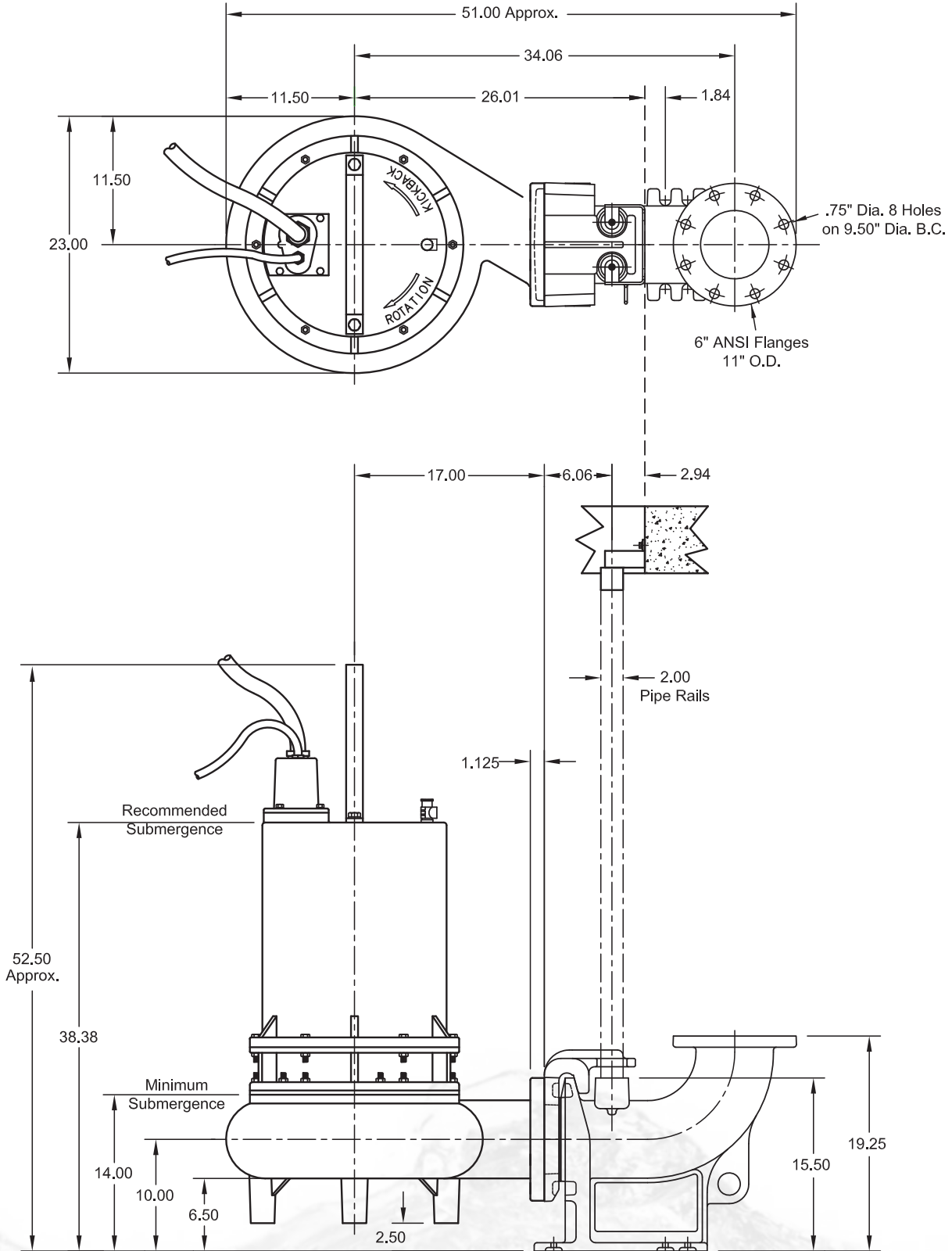
a Power-Flo Technologies company

877-24PUMPS • fax: 516-812-6897 • www.powerflopumps.com

6" Non-Clog Pumps - 18, 24, 30, 36, 48 & 60HP - 1750RPM - 60Hz

6" Non-Clog Pumps - 18, 24, 30, 36, 48 & 60HP - 1750RPM - 60Hz

**Models: PF6NC18034, PF6NC18044, PF6NC24034, PF6NC24044,
PF6NC30034, PF6NC30044, PF6NC36034, PF6NC36044,
PF6NC48044, PF6NC60044**



Pump shown with PF600SC Slide Coupling. Slide Coupling sold separately.

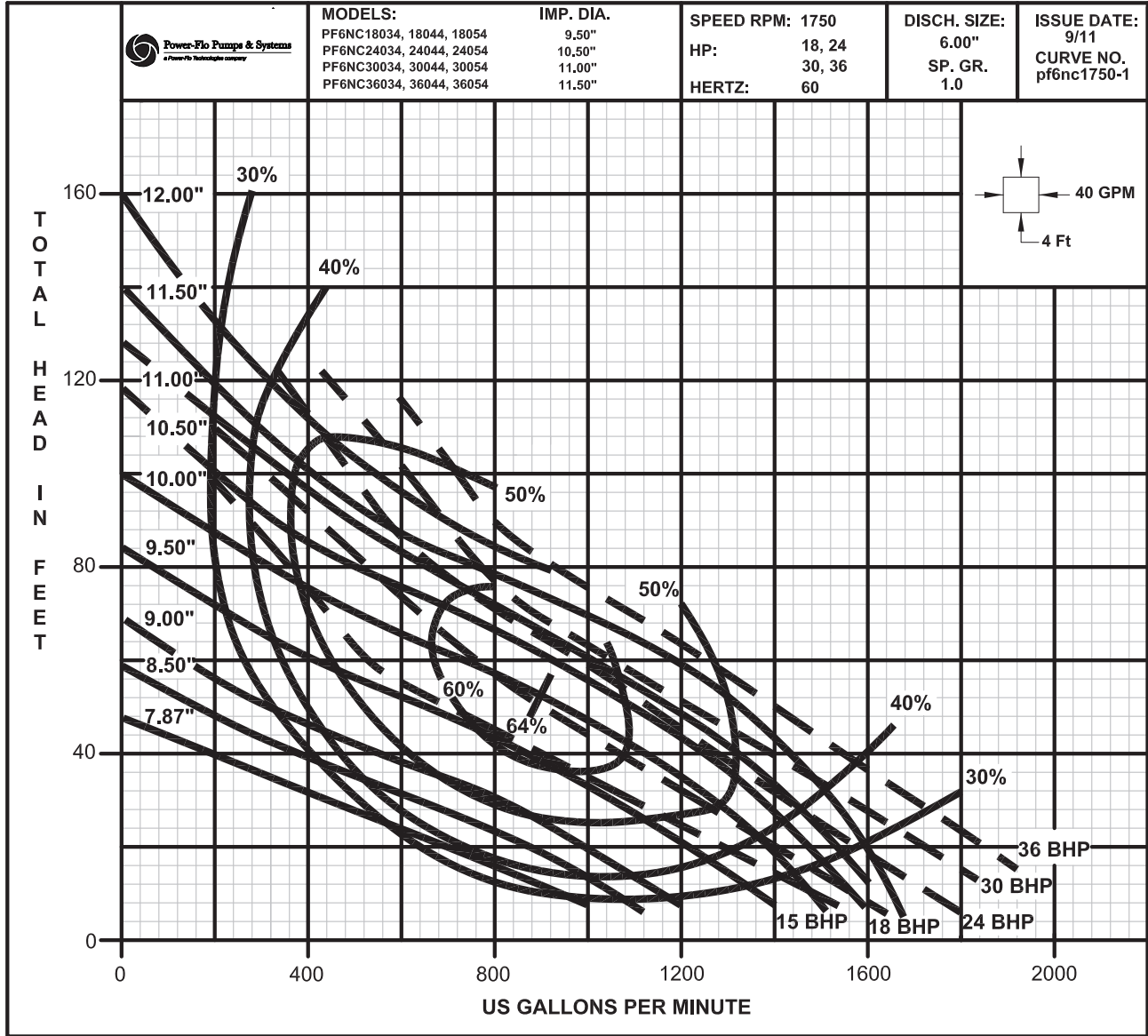


Power-Flo Pumps & Systems

a Power-Flo Technologies company

877-24PUMPS • fax: 516-812-6897 • www.powerflopumps.com

**Models: PF6NC18034, PF6NC18044, PF6NC24034, PF6NC24044,
PF6NC30034, PF6NC30044, PF6NC36034, PF6NC36044**



6" Non-Clog Pumps - 18, 24, 30 & 36HP - 1750RPM - 60Hz



Power-Flo Pumps & Systems

a Power-Flo Technologies company

877-24PUMPS • fax: 516-812-6897 • www.powerflopumps.com

Sect. NC
Page 13
Rev.

02/2021

Models: PF6NC48044, PF6NC60044

6" Non-Clog Pumps - 48 & 60HP - 1750RPM - 60Hz

