

# Models: PFWRC3737C1F, PFWRC3737C2F

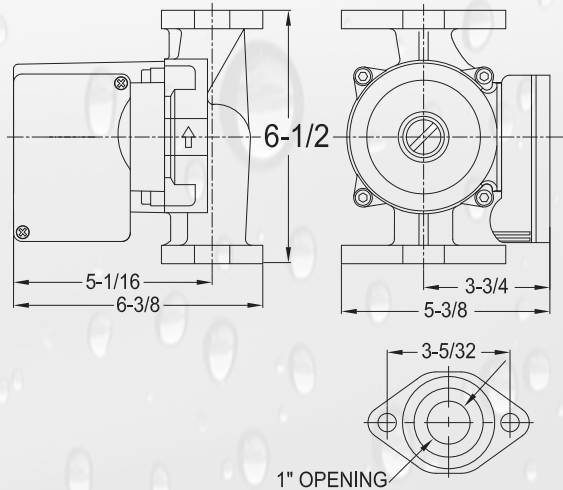
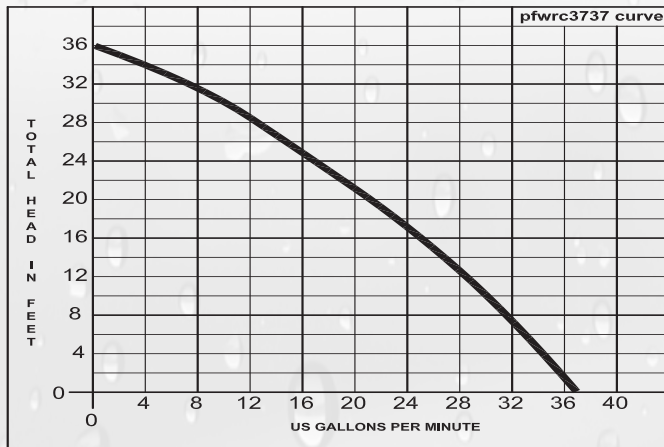


## Features:

Power-Flo circulator pumps are low noise, low leakage, reliable operation and easy installation. Single and three speed compact, efficient wet rotor circulators for closed loop (cast iron volute) hydronic heating and cooling circulation and open loop (bronze and stainless steel) domestic water recirculation applications. FOR INDOOR USE ONLY.

- **MOTOR:** 2-pole, 3600rpm, single phase, PSC with Thermal protection
- **LIQUID TEMPERATURE:** 32°F - 230°F
- **MAX. SYSTEM PRESSURE:** 145 PSI
- **INSULATION:** Class H
- **VOLUTE:** Cast Iron
- **CHECK VALVE:** Removable, Prevents reverse and gravity flow
- **CONNECTION:** Flange with two 1/2" Dia. Bolt Holes and two flange gaskets
- **WARRANTY:** 3 year

### Wet Rotor Circulator Pumps Flange Connection Cast Iron Single Speed Closed System type



MODEL/PART NUMBER	VOLTS/PHASE	AMPS	WATTS	CAPACITOR	WT. lbs
PFWRC3737C1F	115/1	3.0	335	25mfd/200V	12.5
PFWRC3737C2F	230/1	1.5	335	6mfd/450V	12.5

PF	WRC	21	20	Volute Material C, B, S	Motor Voltage 1 or 2	Connection Type F, S, U
Power-Flo	Wet Rotor Circulator	Shut Off Head (ft)	Max Flow (Gal)	C = Cast Iron B = Lead Free Bronze S = Stainless Steel	1 = 115 V 2 = 230V/1P	F = Flanged S = Copper Sweat U = Union

**EXAMPLE:** PFWRC2120C1F - Power-Flo Pumps - Wet Rotor Circulator - 21' Shut Off Head - 20 GPM Max Flow - Cast Iron Volute - 115 Volt, Flanged Connection.

