

Models: PF400FA, PF600FA, PF800FA

Features:

The design of the Slide Couplings allows the submersible pump to be installed or removed without requiring personnel to enter the wet well.

- **DISCHARGE:** 4", 6" or 8" ANSI Flanged
- **SOLIDS:** 8" Diameter Spherical
- **ADAPTER:** Ductile iron with stainless steel sealing ring
- **PAINT:** Powder Coated
- **WARRANTY:** 1 year

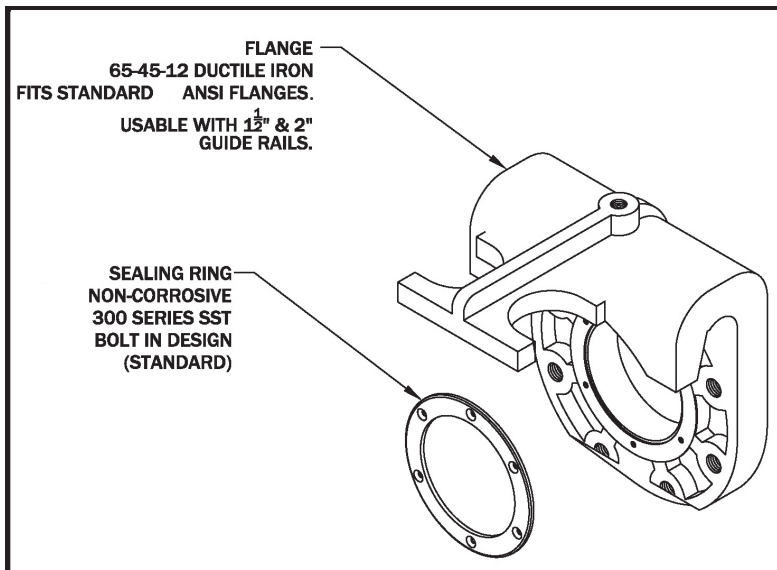


WARNING: CANCER AND REPRODUCTIVE HARM-
WWW.P65WARNINGS.CA.GOV

Assemblies **DO NOT** include Pump, Discharge piping, Guide Rails, Lifting Chain nor Gate Valve and Handle.



Flygt Adapter



Power-Flo Pumps & Systems

a Power-Flo Technologies company

877-24PUMPS • fax: 516-812-6897 • www.powerflopumps.com

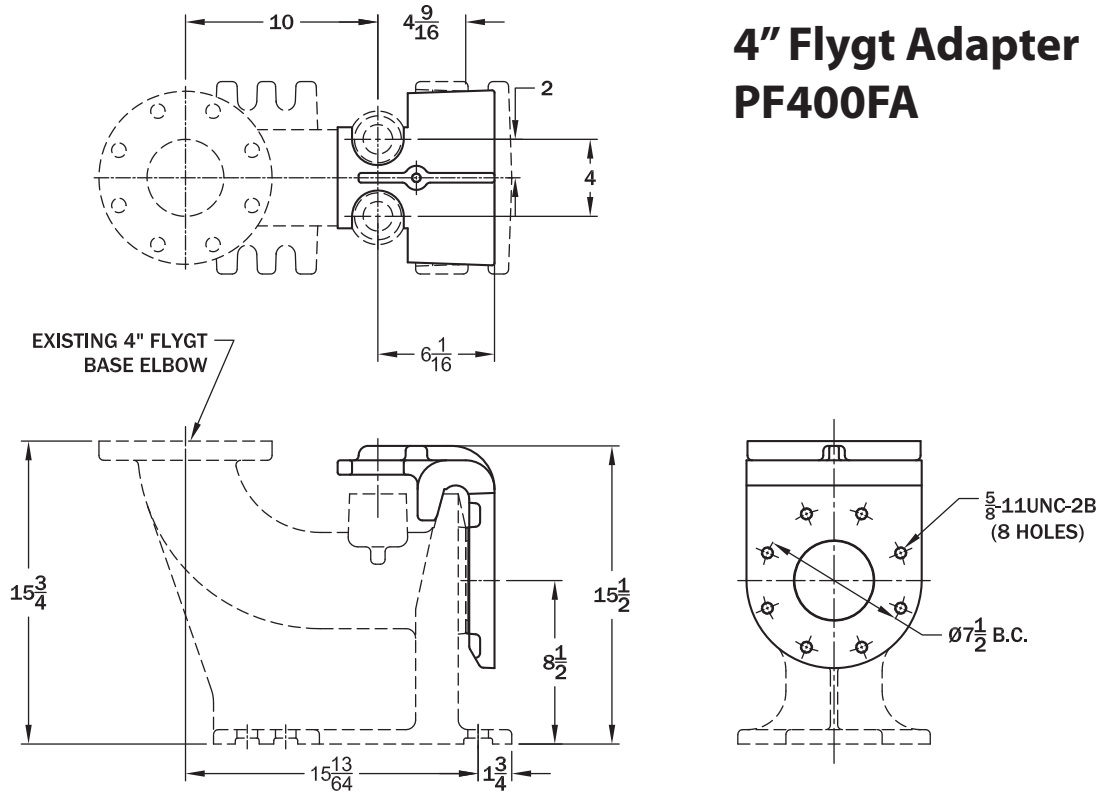
Accessories - 4" , 6" & 8" Flygt Adapter

Sect.
AC
Page
13
Rev.
02/2021

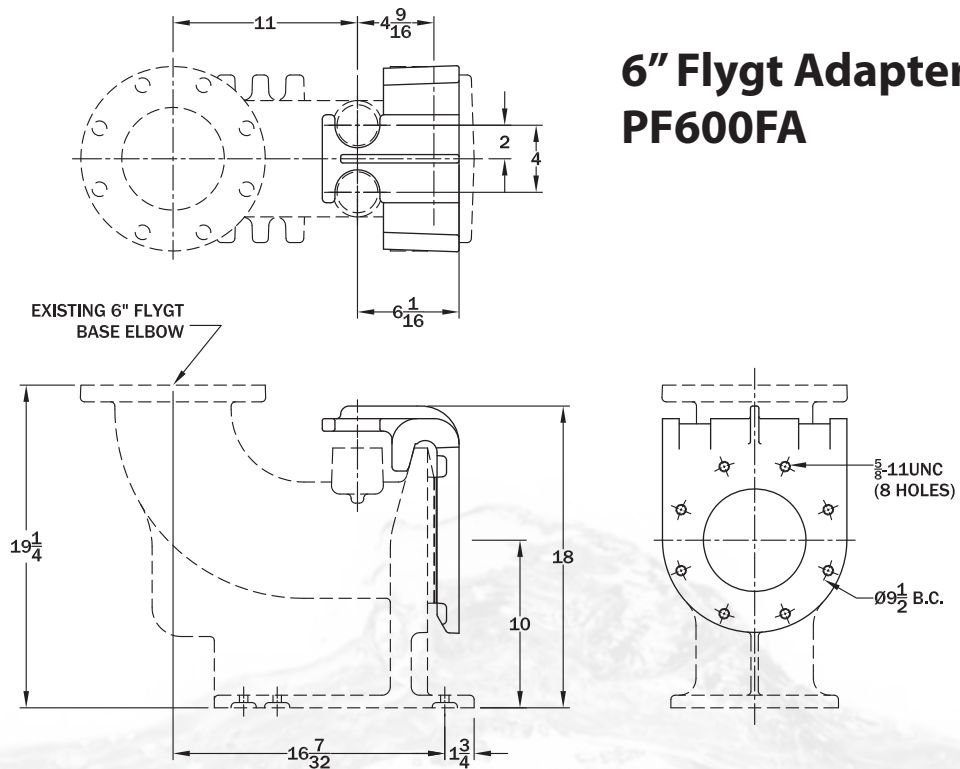
Model: PF400FA, PF600FA

Accessories - 4", 6" & 8" Flygt Adapter

4" Flygt Adapter
PF400FA

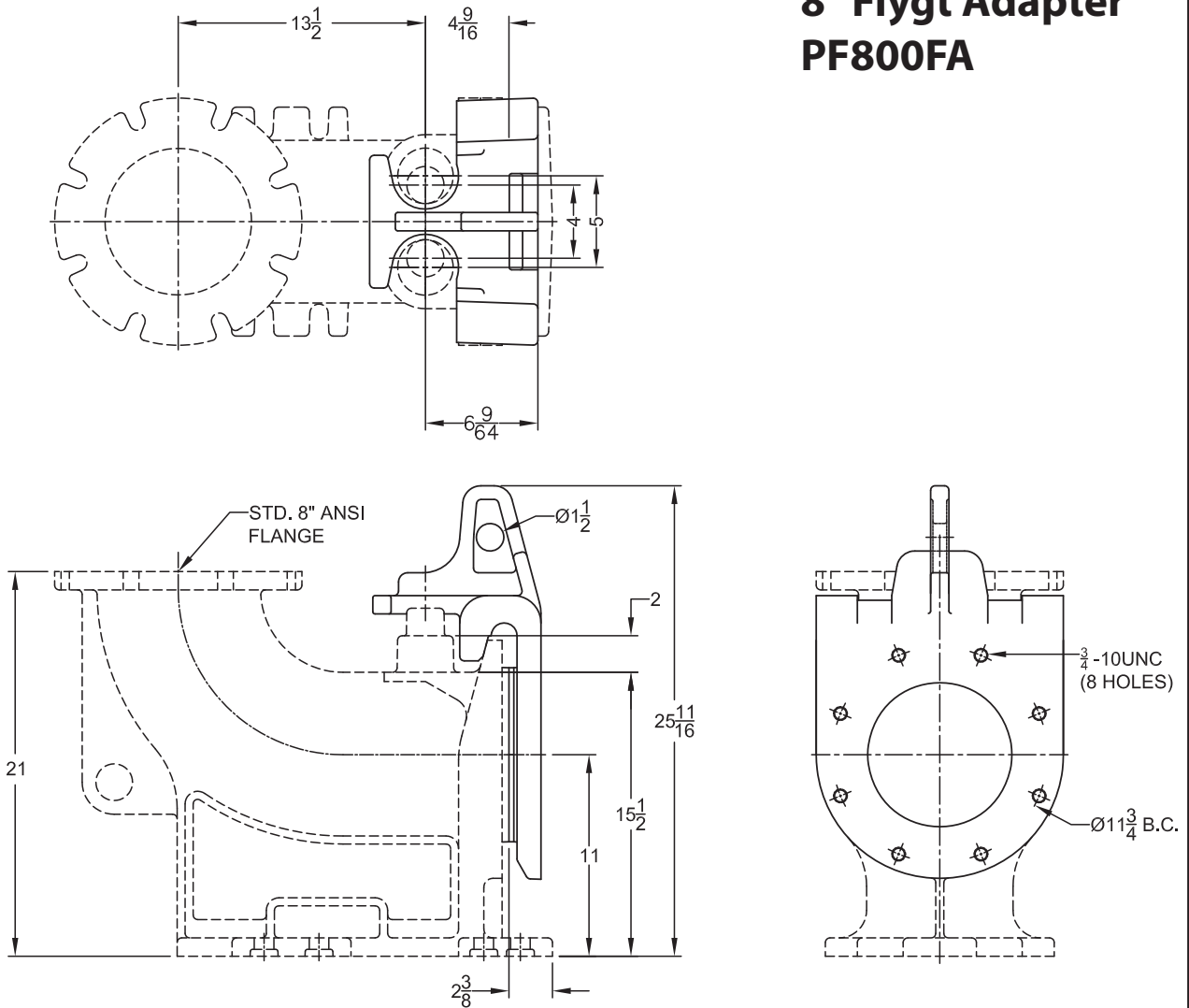


6" Flygt Adapter
PF600FA



Model: PF800FA

8" Flygt Adapter PF800FA



Accessories - 4", 6" & 8" Flygt Adapter



Power-Flo Pumps & Systems

a Power-Flo Technologies company

877-24PUMPS • fax: 516-812-6897 • www.powerflopumps.com

Sect.
AC
Page
15
Rev.
02/2021