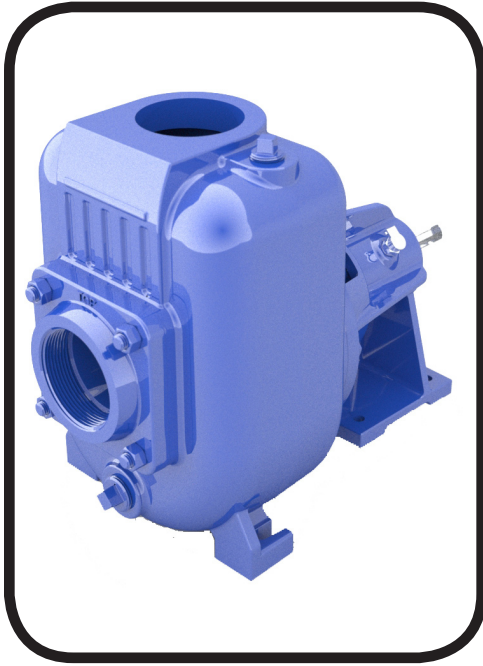


Model: PF20MU



**Self-Priming,
Frame Mounted,
Trash Handling Pumps
Universal Drive**

Not for pumping flammable liquids or hazardous materials that is not compatible with pump materials.

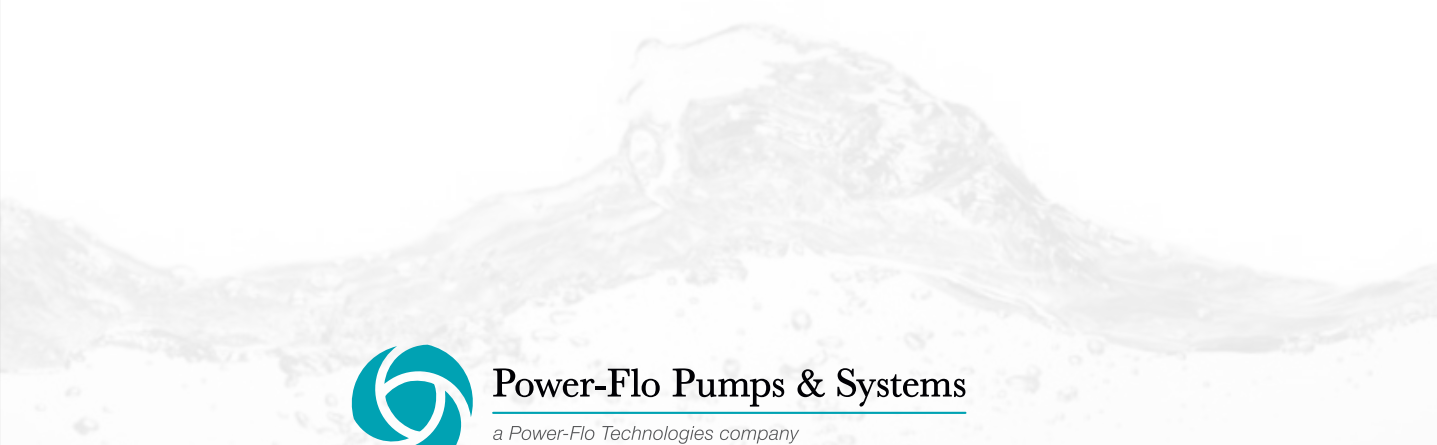
Features:

Self-priming centrifugal frame mounted pumps designed for Industrial, Municipal and Marine applications.

- **SUCTION/DISCHARGE:** 3" x 3" NPT, Female
- **LIQUID TEMPERATURE:** 160°F Continuous
- **CASING:** Gray Iron, ASTM A48, Class 30
- **BEARING HOUSING:** Gray Iron, ASTM A48, Class 30
- **SUCTION GLAND:** Gray Iron, ASTM A48, Class 30
- **PEDESTAL:** Gray Iron, ASTM A48, Class 30
- **PAINT:** Air dry enamel
- **O-RINGS:** Buna-N
- **SHAFT:** Steel
- **SHAFT SLEEVE:** Steel
- **HARDWARE:** Steel
- **SHIM SET:** Stainless steel
- **IMPELLER:** 5 vane, Semi-Open, 3/4" Dia., Spherical Solids handling, Gray Iron, ASTM A48, Class 30,
- **SEAL:** Mechanical, type 21, Carbon/Ceramic/Buna-N,
- **CHECK VALVE:** Rubber with canvas cover and steel weights
- **BEARING-DRIVE END:** Tapered Roller, Oil Lubricated
- **BEARING-PUMP END:** Tapered Roller, Oil Lubricated
- **WARRANTY:** 1 year
- **WEIGHT:** 128 lbs



WARNING: CANCER AND REPRODUCTIVE HARM-
WWW.P65WARNINGS.CA.GOV

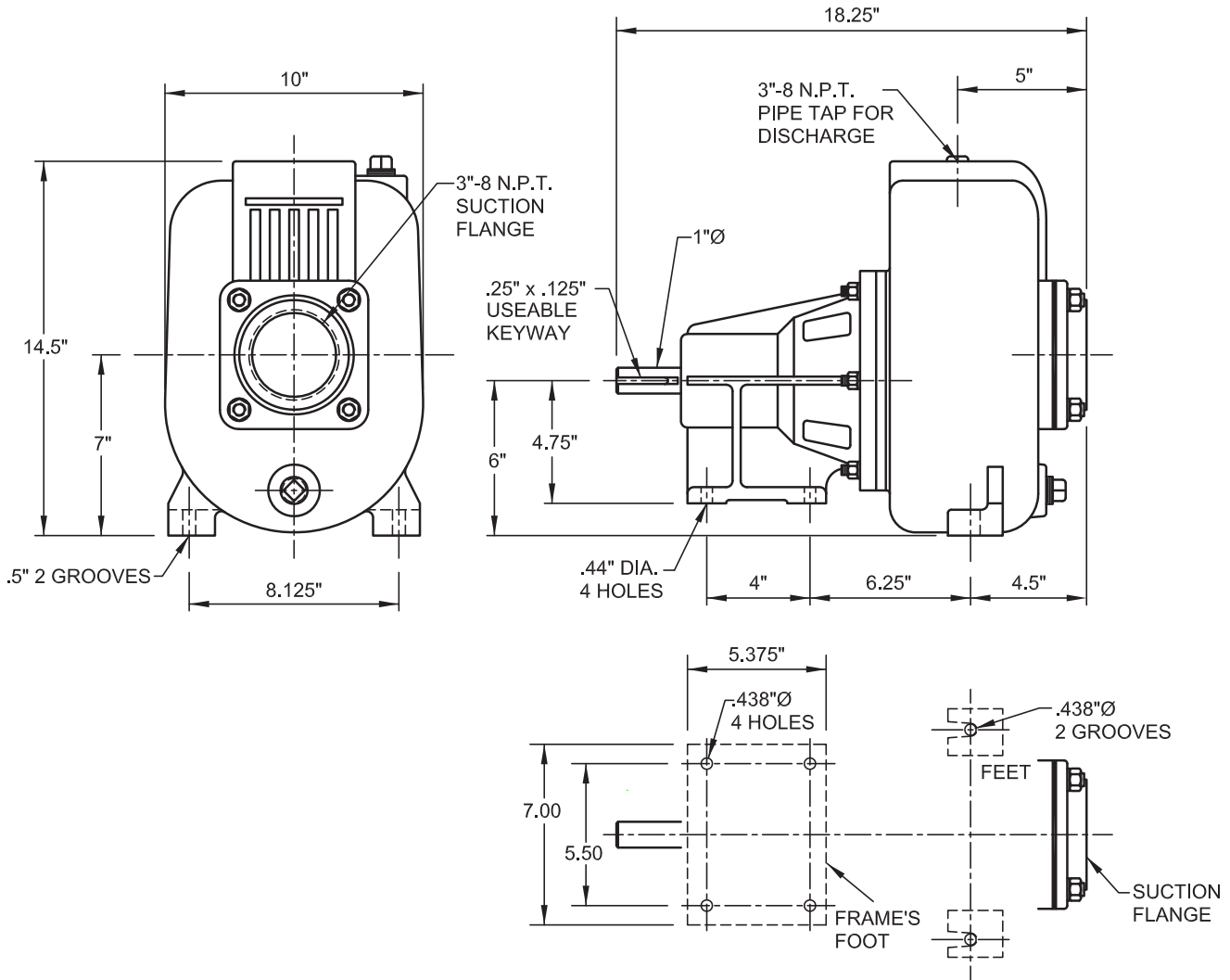


Power-Flo Pumps & Systems

a Power-Flo Technologies company

877-24PUMPS • fax: 516-812-6897 • www.powerflopumps.com

Model: PF20MU



Self-Priming Centrifugal Pumps - PFMU - 3" x 3" NPT



Power-Flo Pumps & Systems

a Power-Flo Technologies company

877-24PUMPS • fax: 516-812-6897 • www.powerflopumps.com

Sect.
SP
Page
29
Rev.

02/2021

Model: PF20MU

Self-Priming Centrifugal Pumps - PFMU - 3" x 3" NPT

