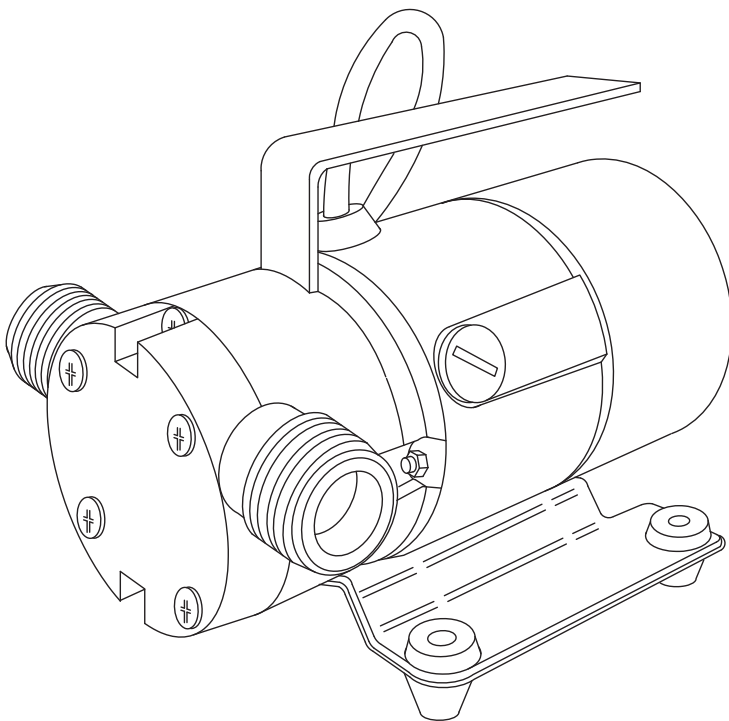


INSTALLATION MANUAL



Series: PFUEG
1/12HP, 5000 RPM, 60 Hz
Utility Pumps



Power-Flo Pumps & Systems

a Power-Flo Technologies company

General Safety Information

Before installation, read the following instructions carefully. Failure to follow instruction and Safety information could cause serious bodily injury, death and/or property damage. Each Power-Flo pump is individually factory tested to insure proper performance. Closely following these instructions will eliminate potential operating problems, assuring years of trouble-free service.

⚠ WARNING

- Risk of electric shock. To reduce risk of electric shock, always disconnect pump from power source before handling. Lock out power & tag.
- Installation must be in accordance with the National Electric Code and all applicable state and local codes.
- Installation and servicing is to be conducted by qualified personnel.
- These pumps are NOT to be installed in locations classified as hazardous in accordance with the National Electric Code, ANSI/NFPA 70.

⚠ WARNING

- Keep clear of suction and discharge openings. Do not insert fingers in pump with power connected.
- Always wear eye protection when working on pumps.
- **DO NOT** use power cord to lift pump. Protect cable from cuts and punctures. Do not handle power cable with wet hands.
- **IMPORTANT!** This is **NOT** a submersible pump. Keep pump and power cords away from liquid.
- Do not use these pumps in water over 77°F or run continuously for more than 1½ hours.
- Pumps build up heat and pressure during operation-allow time for pumps to cool before handling or servicing.



WARNING:
CANCER AND REPRODUCTIVE HARM-
WWW.P65WARNINGS.CA.GOV

⚠ CAUTION



This pump is **NOT** intended for use in swimming pools or any body of water with human contact. Pumps when used as a decorative water fountain pump **MUST** be used in circuit protected by a Ground Fault Interrupter. Installations in Decorative Fountains or Water Features provided for visual enjoyment **MUST** be installed per ALL State and Local codes.



ALL RETURNED PRODUCTS MUST BE CLEANED, SANITIZED, OR RECONTAMINATED

PRIOR TO SHIPMENT, TO INSURE EMPLOYEES WILL NOT BE EXPOSED TO HEALTH HAZARDS IN HANDLING SAID MATERIAL. ALL APPLICABLE LAWS AND REGULATIONS SHALL APPLY.

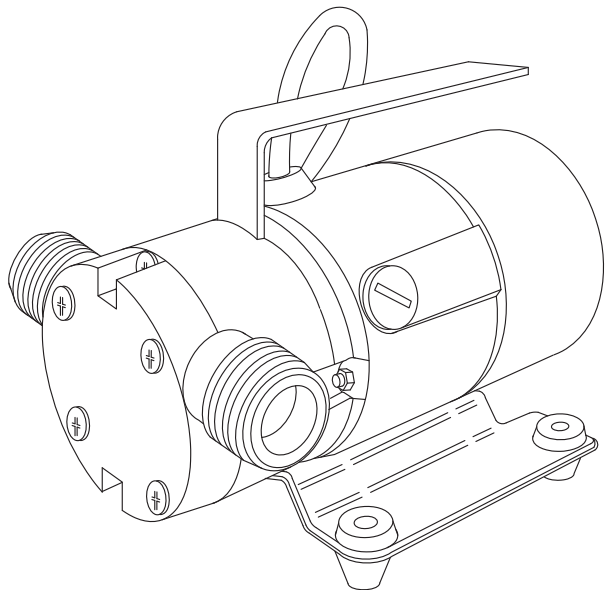
IMPORTANT!

Prior to installation, record Model Number, MFG Date, and/or serial number, from pump name plate for future reference.

Model:
Serial:
MFG Date:

® Power-Flo is a registered trademark of Power-Flo Technologies Inc. Other brand and product names are trademarks or registered trademarks of their respective holders. Alteration Rights Reserved. 5/08, 6/09, 9/2020, 1/2021

Specifications



DISCHARGE	3/4" Hose Thread
MAX. TEMPERATURE	77° F, Intermittent Duty
SOLIDS HANDLING	1/8" Max.
MOTOR HOUSING	Steel
PUMP CONSTRUCTION	Thermoplastic
IMPELLER	Flex-Vane, Thermoplastic
SHAFT	Stainless Steel
SEAL	Lip Seal, Buna-N
BEARING	Sleeve
MOTOR	ODP, Thermal Overload Protection
POWER CORD	10 Ft., cord with plug

Includes pump, 6 ft. garden hose, suction strainer and repair parts; Impeller, O-ring, back cover plate and front cover plate.

Standing water can be pumped down to 1/8" with supplied suction strainer.

Good for emptying aquariums, waterbeds, pool covers, and clogged sinks. For use with Nonflammable liquids compatible with pump materials

Series: PFUEG

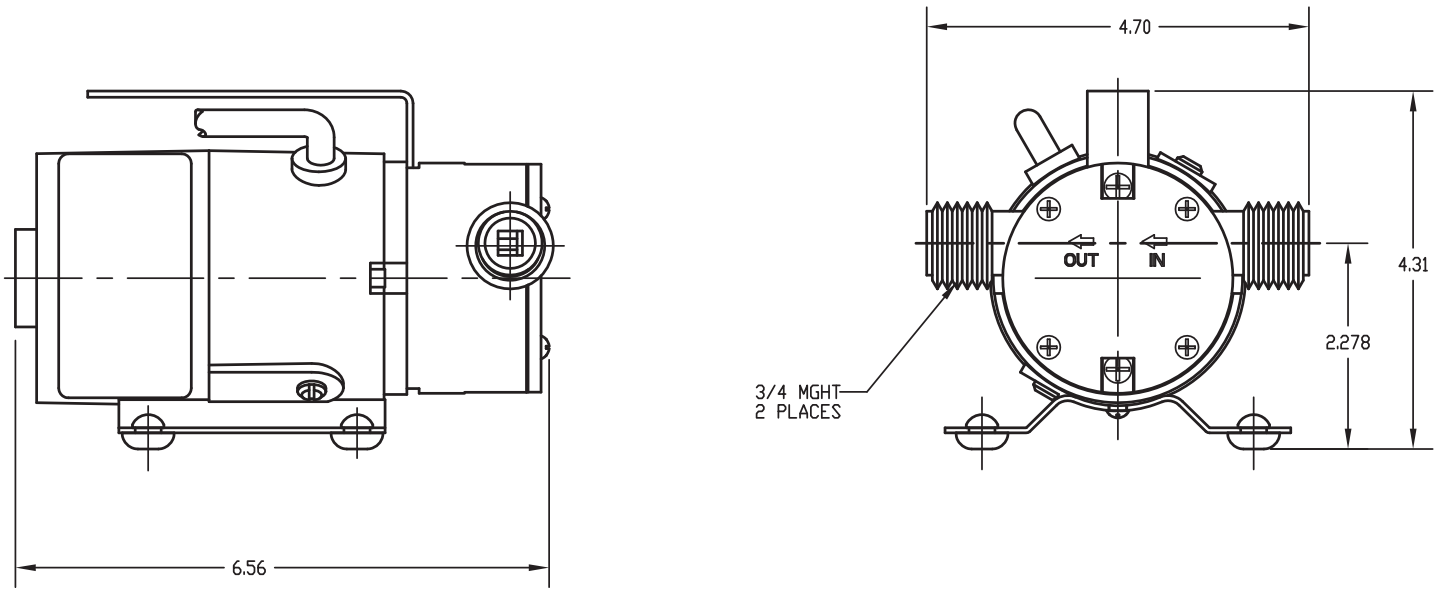
**1/12 HP, 5000 RPM, 60 Hz.
Utility Pump**

Description

General purpose portable pump for residential clear water transfer applications.

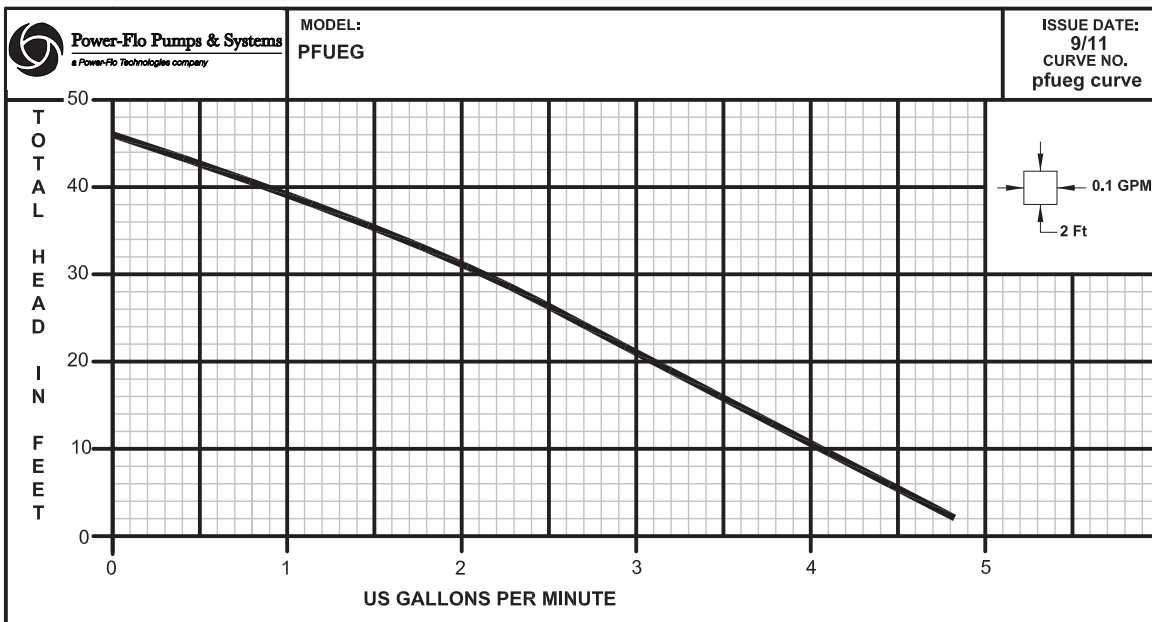


Dimensions



MODEL	HP	Hz	RPM	AMPS	Volts/Ph	Cord Length	Weight
PFUEG	1/12	60	5000	2	115/1	10 Ft.	6 Lbs.

Performance



Installation

Receiving Inspection

Upon receiving the pump, it should be inspected for damage or shortages. If damage has occurred, file a claim immediately with the company that delivered the pump. Do Not lose or misplace the manual.

Pump Setup

The power cable mounted to the pump must not be modified in any way. This pump is provided with a 3 wire cord and 3 prong grounded plug that must be connected into a 3 wire grounded receptacle. Do not bypass grounding wires or remove ground prongs from plug. An extension cord can be used as long as the cord thickness is equal to or larger than the power cord.

Make sure the power source is properly sized for the voltage and amperage requirements of the motor, as noted on the pump nameplate.

Pump performance will be hindered if the inlet hose is over 15 feet long or if the vertical pumping distance exceeds 10 feet. There should be no kinks, blockages or bends in the inlet or outlet hoses.

An overload condition may occur due to overheating, low voltage, jammed impeller, etc. which will shut the pump off. Unplug the pump and wait approximately 10 minutes. Once the pump cools it will automatically reset.

The PFUEG comes with 6 foot of 3/4" garden hose and a suction adaptor. The pump can be used with or without the adapter.

To aid priming of pump, add 1/2 teaspoon of light oil to pump inlet and outlet. Attach suction hose provided to inlet and garden hose to outlet. Gasket must be in place to insure that these connections are airtight or pump will not prime.

Place the open end of the inlet hose below water surface. The suction adaptor may be used to pump shallow water or water with large particles. Place the adaptor at the center of the water being pumped.

With pump in a dry location, connect to 3 prong grounded receptacle. If pump fails to deliver water disconnect from power source and repeat Pump Setup.

Impeller Replacement

⚠ WARNING

Disconnect pump from power source before servicing.

1. Remove four screws (1) from plate (2).
2. Remove Front Cover Plate (3) and inspect for wear or damage as well as , Impeller (5), O-ring (4) and Back Cover Plate (6). If there is any wear or damage , replace parts.
3. Place back cover plate (6) onto shaft. Lubricate new impeller (5) with white grease or light-weight oil and place onto shaft by aligning flat on impeller hub with flat on motor shaft. Reassemble o-ring (4), front cover plate (3), plate (2) and screws (1).

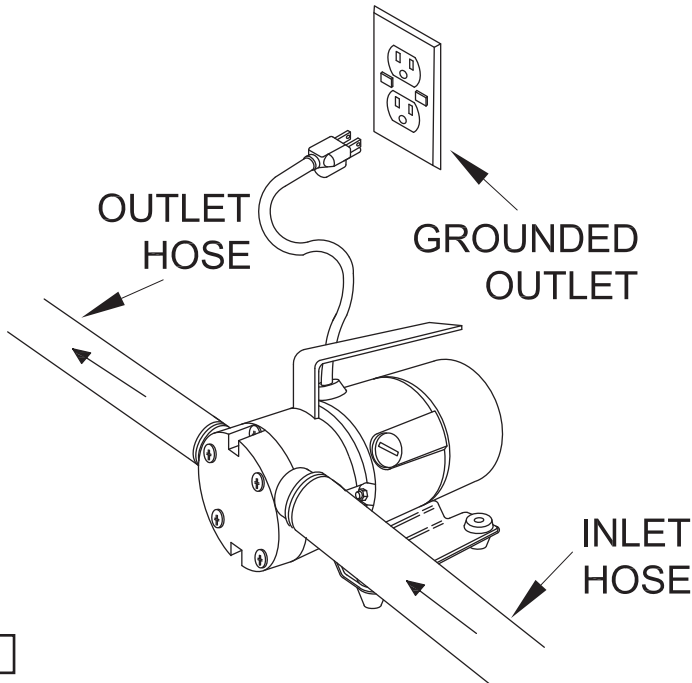
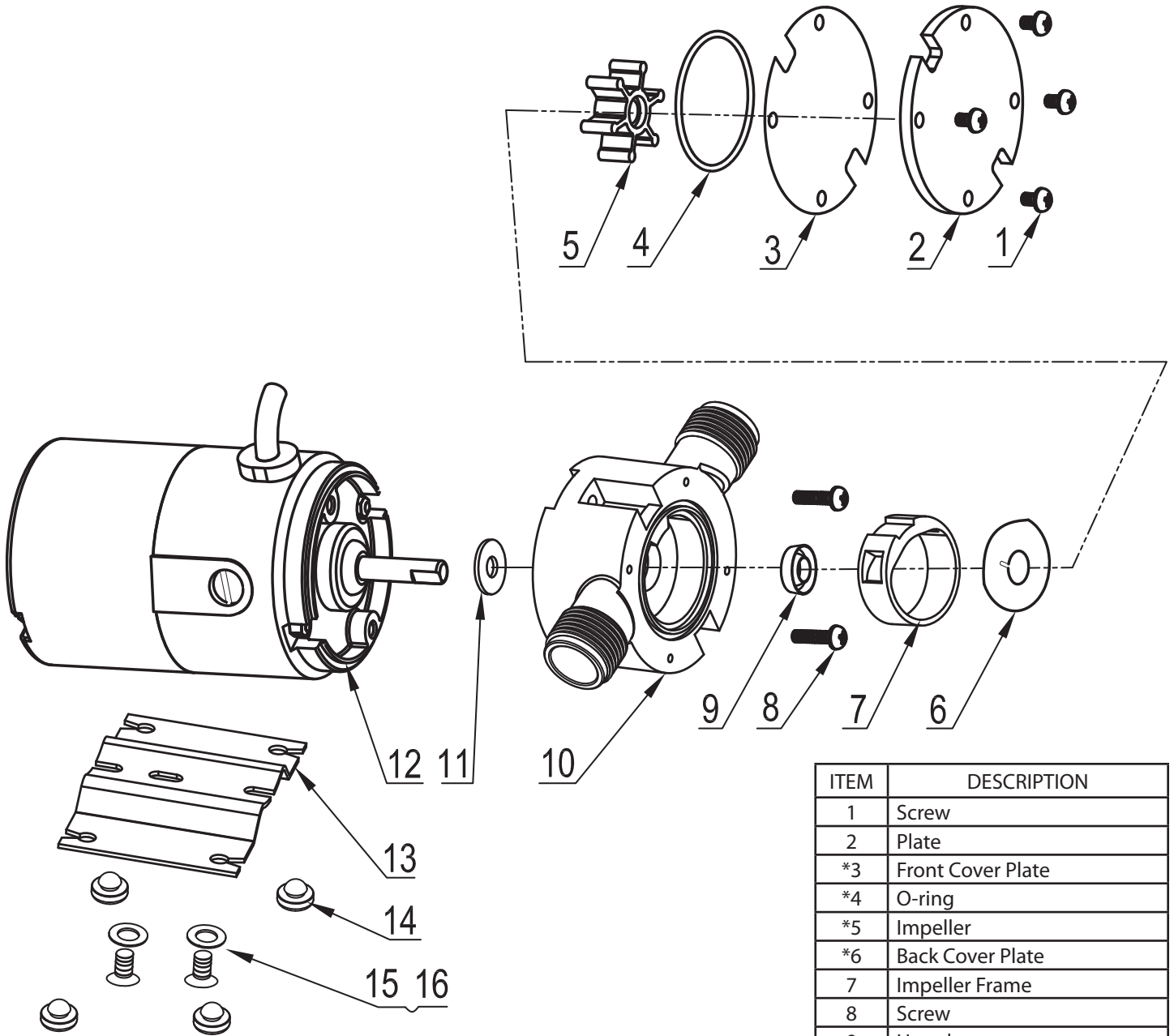


Figure 1



Repair Parts

For Repair Part Please supply: Model Number and MFG Date as shown on Name Plate, and Part Description and Part Number as shown on Parts List.



ITEM	DESCRIPTION
1	Screw
2	Plate
*3	Front Cover Plate
*4	O-ring
*5	Impeller
*6	Back Cover Plate
7	Impeller Frame
8	Screw
9	U-seal
10	Housing
11	Slinger Washer
12	Motor
13	Bracket
14	Gasket
15	Screw
16	Lackwasher

(*) Spare parts included

Trouble Shooting Chart



Risk of electric shock. Always disconnect the pump from the power source before handling inspections or repairs.

Symptom	Possible Cause(s)
Pump runs, but will not deliver water or performs poorly	<ol style="list-style-type: none"> 1. Air leak in inlet suction connection. Make sure hose gasket is in place and in good condition then tighten inlet connection 2. Vertical pumping distance is over 20 feet or inlet hose is over 25 feet long 3. Inlet hose plugged or kinked or hose has collapsed 4. Impeller is worn 5. Pump body is worn
Motor fails to start. Motor stops unexpectedly	<ol style="list-style-type: none"> 1. Motor brushes are worn.
Pump runs, but stops	<ol style="list-style-type: none"> 1. Motor has overheated, motor overload trips out due to motor overload condition. Overload protector will automatically reset about 10 minutes after tripping. Disconnect from power supply and allow to cool 2. Pump outlet hose is plugged or kinked. Remove obstruction or kink 3. Impeller is jammed with foreign material
Motor hums, but does not turn, and shuts off	<ol style="list-style-type: none"> 1. Impeller is jammed with foreign material
Shaft seal leaks	<ol style="list-style-type: none"> 1. Shaft seal worn due to pumping abrasive liquids

NOTE: Power-Flo Pumps & Systems assumes no responsibility for damage or injury due to disassembly in the field. Disassembly of the pumps or supplied accessories other than at Power-Flo Pumps & Systems or its authorized service centers, automatically voids warranty.



LIMITED WARRANTY

Manufacturer warrants, to the immediate purchaser and subsequent initial owner during the warranty period, every new pump to be free from defects in material and workmanship under normal use and service, when properly used and maintained, for a period of eighteen (18) months from date of manufacture or twelve (12) months from date of installation (which ever comes first). Failure due to wear due to excessive abrasives is not covered. The initial owner is the purchaser who first uses the pump after its initial installation, or for non-permanent installation, the first owner who uses the pump. The date of installation shall be determined by a dated sales receipt noting the model and serial number of the pump. The dated sales receipt must accompany the returned pump. Product will be repaired, replaced or remanufactured at Manufacturer's option. No allowance will be made for shipping charges, damages, labor or other charges that may occur due to product failure, repair or replacement. This warranty does not apply to and there shall be no warranty for any material or product that has been disassembled without prior approval of Manufacturer, subjected to misuse, misapplication, neglect, alteration, accident or act of God; that has not been installed, operated or maintained in accordance with Manufacturer's installation instructions; that has been exposed to outside substances including but not limited to the following: sand, gravel, cement, mud, tar, hydrocarbons, hydrocarbon derivatives (oil, gasoline, solvents, etc.), or other abrasive or corrosive substances, wash towels or feminine sanitary products, etc. in all pumping applications. The warranty set out in the paragraph above is in lieu of all other warranties expressed or implied; and we do not authorize any representative or other person to assume for us any other liability in connection with our products. Contact Manufacturer at: 1-877-24PUMPS or www.powerflo pumps.com, Attention: Customer Service Department, to obtain any needed repair or replacement of part(s) or additional information pertaining to our warranty.

MANUFACTURER EXPRESSLY DISCLAIMS LIABILITY FOR SPECIAL, CONSEQUENTIAL OR INCIDENTAL DAMAGES OR BREACH OF EXPRESSED OR IMPLIED WARRANTY; AND ANY IMPLIED WARRANTY OF FITNESS FOR A PARTICULAR PURPOSE AND OF MERCHANTABILITY SHALL BE LIMITED TO THE DURATION OF THE EXPRESSED WARRANTY.

Some states do not allow limitations on the duration of an implied warranty, so the above limitation may not apply to you. Some states do not allow the exclusion or limitation of incidental or consequential damages, so the above limitation or exclusion may not apply to you. This warranty gives you specific legal rights and you may also have other rights which vary from state to state.

