

**Models: PF4SCF4236, PF4SCF4246, PF4SCF8936, PF4SCF8946
PF4SCF17734, PF4SCF17744
PF4SCF29734, PF4SCF29744**

Features:

Severe duty submersible cutter pump designed for un-screened stringy, fibrous raw sewage applications.

- **DISCHARGE:** 4" 125 lb., ANSI Flange, Horizontal
- **LIQUID TEMPERATURE:** 104°F Continuous
- **MOTOR HOUSING, VOLUTE & SEAL PLATE:** Cast Iron, Class 30
- **IMPELLER/CUTTER CONE:** 2 port, enclosed, Cast Iron, spiral cutter integral with impeller, Hardened steel 52/53 Rockwell "C"
- **CUTTER BLADE:** Hardened steel 45/47 Rockwell "C"
- **SHAFT:** 420 Stainless steel
- **HARDWARE:** 300 series Stainless steel
- **PAINT:** Air dry enamel
- **SQUARE RINGS:** Buna-N
- **SEAL:** Tandem mechanical, Oil Filled reservoir, with
Upper - Carbon/Stainless/Buna-N,
Lower - Tungsten Carbide/Tungsten Carbide/Buna-N
- **UPPER BEARING:** Single row, ball, grease lubricated
- **LOWER BEARING:** Double row, ball, grease lubricated
- **POWER CORD:** 30 Ft., Pressure grommet for sealing
- **SENSOR CORD:** 30 Ft. 4G1.5mm² , 0.457" O.D., Cord
- **MOTOR:** NEMA B, Air filled, Class F Insulation, includes overload protection, Dual voltage 230/460, 3 Phase.
- **SEAL LEAK SENSOR:** Normally Open (N/O), Requires relay in control panel.
- **TEMPERATURE SENSOR:** Normally Closed (N/C), Requires relay in control panel
- **WARRANTY:** 1 Year

 **WARNING:** CANCER AND REPRODUCTIVE HARM-
WWW.P65WARNINGS.CA.GOV



**Submersible Cutter Pump
4" Discharge
SCF**

NOTE: The use of a 4" Break Away Fitting is required with these pumps.

NOTE: **Seal Leak Sensor Relay kit** PF0861 &

Temperature Sensor Relay Kit PF0876 are available for panels by others.

Relays included in panels shown in chart.

MODEL	HP	VOLT/ PH	RPM	FULL LOAD AMPS	LOCKED ROTOR AMPS	NEMA START CODE	CORD TYPE	CORD O.D. inch	SIMPLEX PANEL P/N	DUPLEX PANEL P/N
PF4SCF4236	4.2	230/3	1150	12.8	63	G	4G1.5mm ²	0.457	PF1054-ST-20	PF2054-ST-20
PF4SCF4246	4.2	460/3	1150	6.4	31.5	G	4G1.5mm ²	0.457	PF1055-ST	PF2055-ST
PF4SCF8936	8.9	230/3	1150	25.5	150	H	4G6mm ²	0.67	PF1094-ST-32	PF2094-ST-32
PF4SCF8946	8.9	460/3	1150	12.8	75	H	4G6mm ²	0.67	PF1095-ST-20	PF2095-ST-20
PF4SCF17734	17.7	230/3	1750	45.8	292	H	4G6mm ²	0.67	PF1184-ST-65	PF2184-ST-65
PF4SCF17744	17.7	460/3	1750	22.9	146	H	4G6mm ²	0.67	PF1185-ST-25	PF2185-ST-25
PF4SCF29734	29.7	230/3	1750	71.6	473.6	H	4G10mm ²	0.89	PF1304-ST-80	PF2304-ST-80
PF4SCF29744	29.7	460/3	1750	35.8	236.8	H	4G10mm ²	0.89	PF1305-ST-65	PF2305-ST-65



Power-Flo Pumps & Systems

a Power-Flo Technologies company

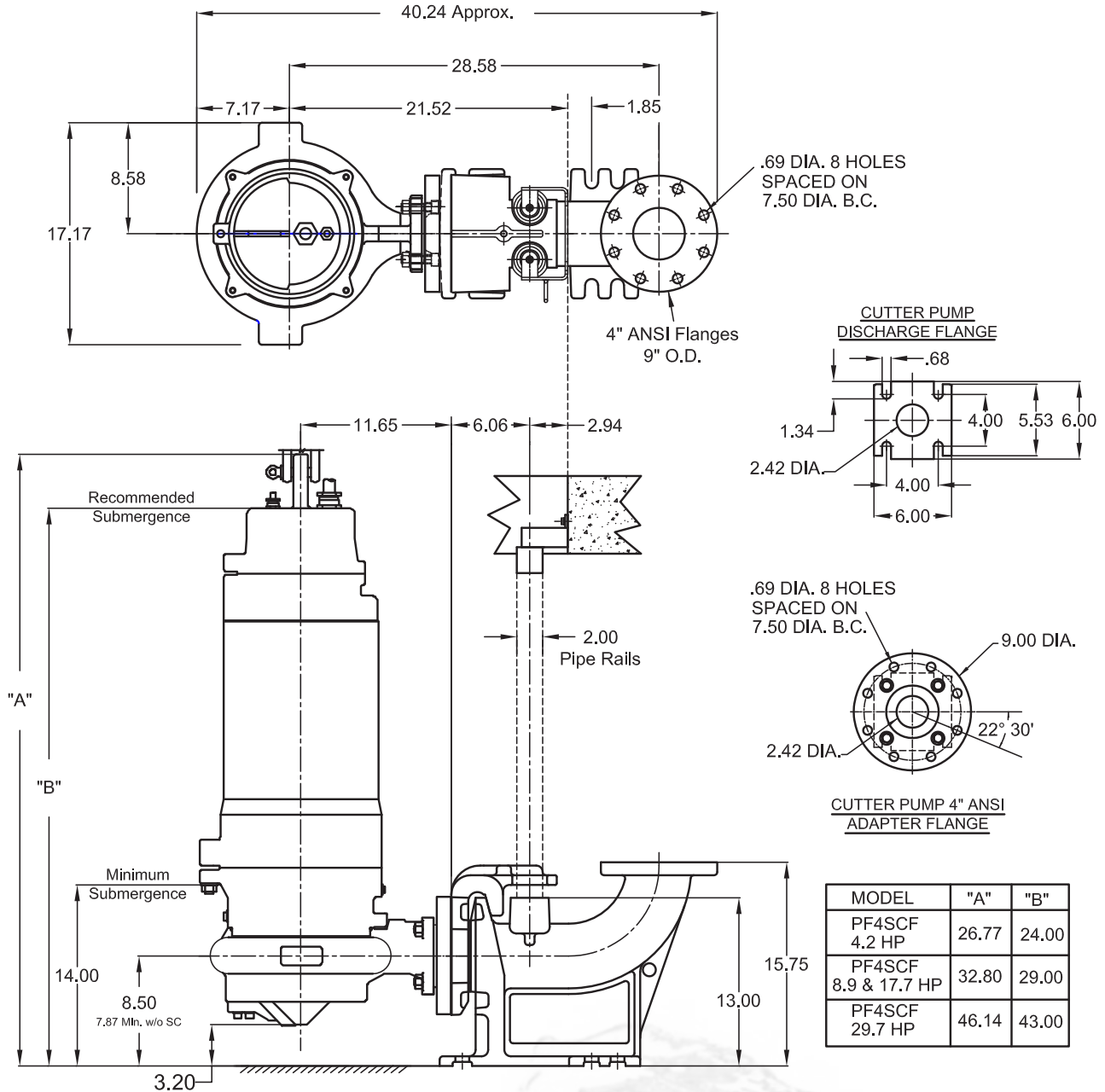
877-24PUMPS • fax: 516-812-6897 • www.powerflopumps.com

4" Cutter Pumps - SCF 4.2, 8.9, 17.7 & 29.7HP-1150 & 1750RPM - 60Hz

Sect.
CU
Page
13
Rev.
02/2021

4" Cutter Pumps - SCF 4.2, 8.9, 17.7 & 29.7HP-1150 & 1750RPM - 60Hz

**Models: PF4SCF4236, PF4SCF4246, PF4SCF8936, PF4SCF8946
 PF4SCF17734, PF4SCF17744
 PF4SCF29734, PF4SCF29744**



Pump shown with PF400SC Slide Coupling. Slide Coupling sold separately.

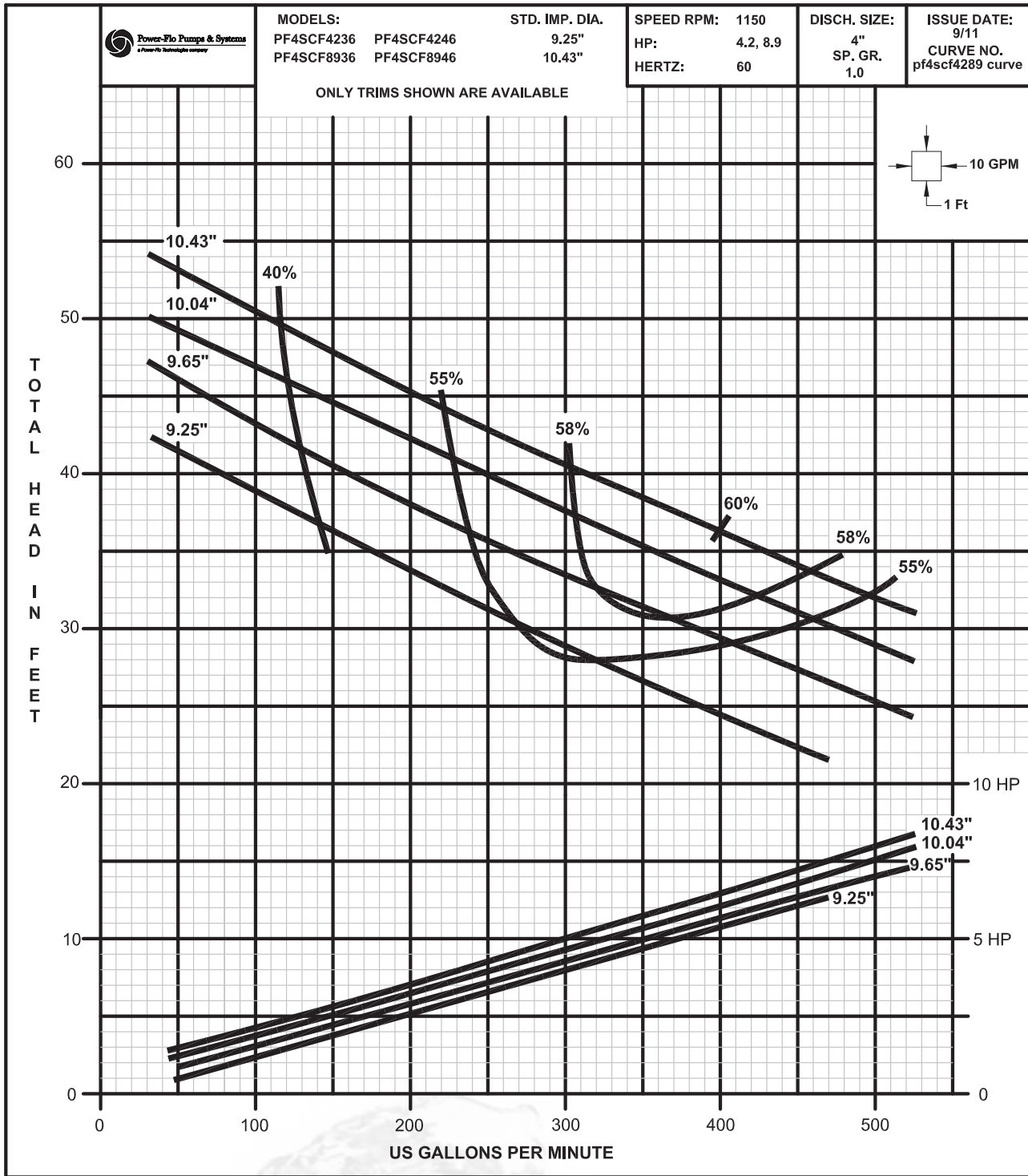


Power-Flo Pumps & Systems

a Power-Flo Technologies company

877-24PUMPS • fax: 516-812-6897 • www.powerflopumps.com

**Models: PF4SCF4236, PF4SCF4246,
PF4SCF8936, PF4SCF8946**



4" Cutter Pumps - SCF 4.2 & 8.9HP - 1150RPM - 60Hz



Power-Flo Pump & Systems
a Power-Flo Technologies company

877-24PUMPS • fax: 516-812-6897 • www.powerflopumps.com

Sect. CU
Page 15
Rev. 02/2021

**Models: PF4SCF17734, PF4SCF17744
PF4SCF29734, PF4SCF29744**

4" Cutter Pumps - SCF 17.7 & 29.7HP - 1750RPM - 60Hz

