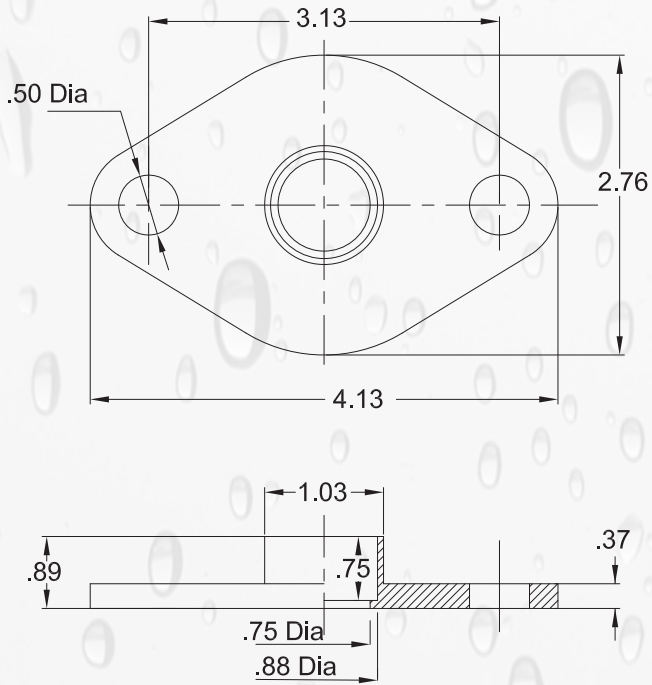


Model: PFF75BSP



Circulator Flange 3/4", Copper Sweat Connection, Bronze

Bronze copper sweat circulator flanges come with a pair of (2) flanges, four (4) bolts and four (4) hex nuts.

| MODEL/PART NUMBER | PIPE SIZE | FLANGE MATERIAL | CONNECTION | PACKAGING | WT. lbs |
|-------------------|-----------|-----------------|--------------|---------------------|---------|
| PFF75BSP | 3/4" | Bronze | Copper Sweat | Pair w/nuts & bolts | 1 |

| PF | F | Pipe Size 75,1,125,150 | Flange Material D,B | Construction Style S, T | ISO | Packaging Detail S, P |
|-----------|--------|-------------------------------------|--------------------------------|--------------------------------------|---|--|
| Power-Flo | Flange | 75 = 3/4" 1 = 1" 125 = 1-1/4" | D = Ductile Iron B = Bronze | S = Copper Sweat T = Threaded IPS | Isolation Flange with Ball Valve and dual handle option | S = Single with nuts & bolts P = Pair with nuts & bolts |

EXAMPLE: PFF75DTP - Power-Flo Pumps - Pump Flange - 3/4" - Ductile Iron - Threaded - NON-ISO - Pair with nuts & bolts.



Power-Flo Pumps & Systems

a Power-Flo Technologies company



WARNING:
CANCER AND REPRODUCTIVE HARM-
WWW.P65WARNINGS.CA.GOV