

**Models: PF2021-C, PF2023-C, PF2053-COST-40,
PF2053NC-COST-40, PF2083-COST-40
For Non-Clog & Grinder Pumps w/Start Components**

Features:

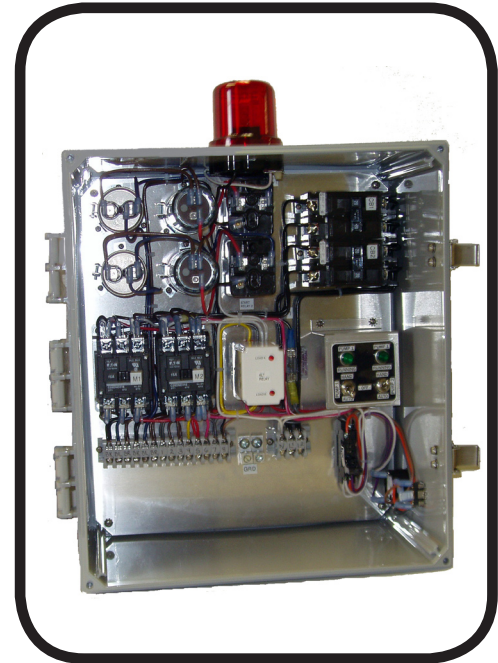
- **ENCLOSURE:** NEMA 4X weather resistant Poly enclosure with stainless door latches w/padlock hasp
- **CIRCUIT BREAKER:** For short circuit protection
- **CONTACTOR:** IEC
- **SWITCH:** Pump Hand-off-Auto
- **SWITCH:** External, Test/Normal/Silence with UV resistant sealing boot
- **LIGHT:** Green pump run
- **SUB PLATE:** Switch and light mounting
- **FUSE:** 1 Amp, Control circuit
- **FUSE:** 1 Amp, Alarm circuit
- **START COMPONENTS:** Start & Run capacitors, start relay
- **ALTERNATOR:** Automatic
- **TERMINAL STRIP:** Box lugs for customer wiring & ground lugs
- **WIRING:** Color coded internal wiring
- **AUDIBLE ALARM:** Externally mounted 90 db @ 10 Ft. buzzer
- **ALARM LIGHT:** 360 degree red alarm light
- **SEAL LEAK SENSOR*:** Seal leak circuit with indicator light
- **TEMPERATURE SENSOR*:** Motor heat sensor circuit with indicator light
- **LEVEL CONTROL:** Includes Qty. 4, normally open, mechanical, pilot duty, narrow angle, 5 Amp @ 120/240 VAC, Floats with 15 Ft. 16/2, SJOW cords and external weight.

Built and Labeled to UL 508A standard with NEMA 4X rating. Consult factory for other available options. Some options may require an increase in the enclosure size.

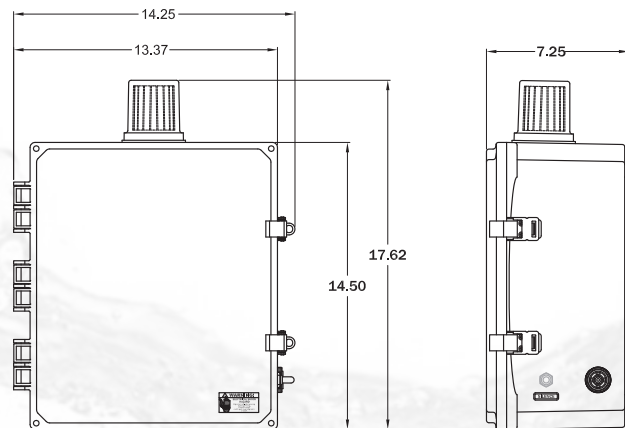
WARNING: CANCER AND REPRODUCTIVE HARM-
WWW.P65WARNINGS.CA.GOV

HP	VOLTS	MAX AMPS	PART NUMBER
2	200	20	PF2021-C
2	230	20	PF2023-C
4.5	230	40	PF2053NC-COST-40 (Non-Clog Pump)
3, 5	230	40	PF2053-COST-40
7.5	230	40	PF2083-COST-40

(*) ST = Seal Leak & Motor Thermal Overload Detection
C = Capacitor Start Components, O = Overload Protection
2HP pumps **DO NOT** include Seal Leak & Motor Thermal Overload detection, **MUST** add as Option.



**Control Panel
Duplex, NEMA 4X
Single Phase, 200/230 Volt
w/Start Components**



Accessories - Control Panels - Duplex - 200/230 - 1Ph



Power-Flo Pumps & Systems

a Power-Flo Technologies company

877-24PUMPS • fax: 516-812-6897 • www.powerflopumps.com

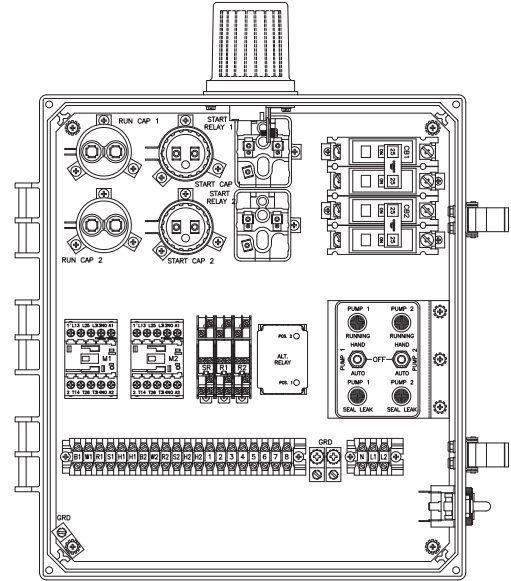
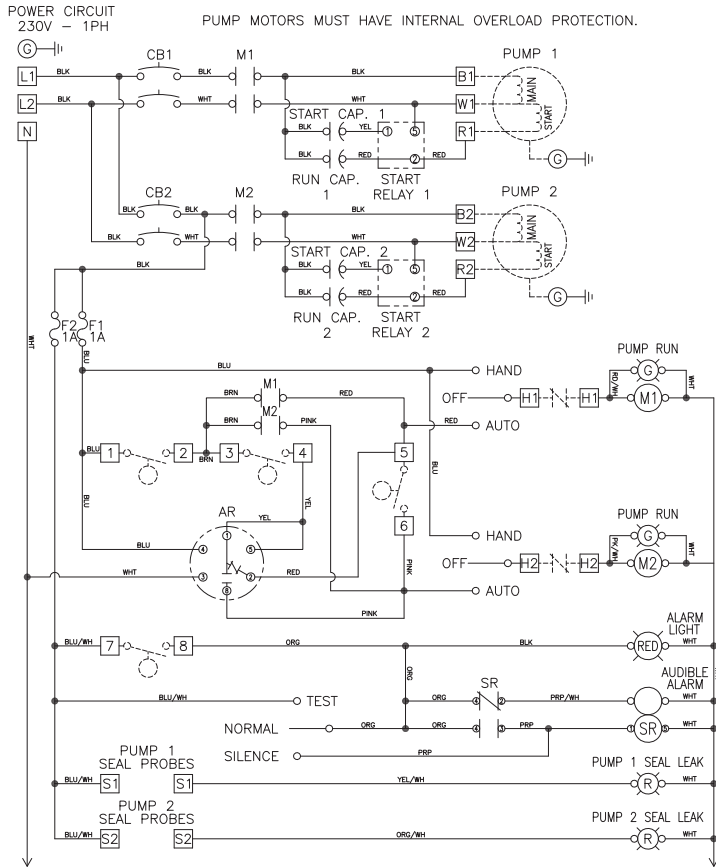
Sect.
AC
Page
49
Rev.
02/2021

**Models: PF2021-C, PF2023-C, PF2053-COST-40,
PF2053NC-COST-40, PF2083-COST-40
For Non-Clog & Grinder Pumps w/Start Components**

**2, 3, 4.5, 5, 7.5HP - Standard Panel Schematic
w/Start Components**

**Standard Panel Layout
w/Start Components**

Black - Main (Run)
Red - Start
White - Common



NOTES:

1. The 3, 5 & 7.5HP Grinder Panels shown with Seal Leak and Temperature sensors (ST).
2. 2 HP Grinder Panels **do not** include Seal Leak and Temperature sensors. **Must** add as Option.



Power-Flo Pumps & Systems

a Power-Flo Technologies company

877-24PUMPS • fax: 516-812-6897 • www.powerflopumps.com