

Models: PF2000, PF2001, PF2003, PF2011, PF2013, PF2021, PF2023, PF2033, PF2043, PF2053

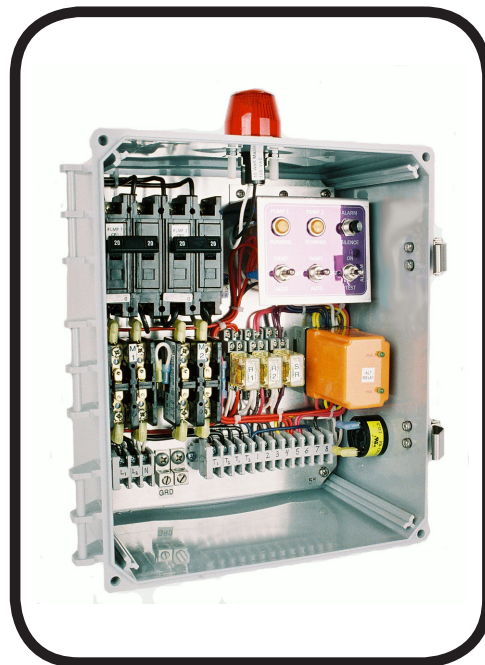
For Sewage, Effluent & Non-Clog Pumps

Features:

- **ENCLOSURE:** NEMA 4X weather resistant Poly enclosure with stainless door latches w/padlock hasp
- **CIRCUIT BREAKER:** For short circuit protection
- **CONTACTOR:** 2 pole definite purpose
- **SWITCH:** Pump Hand-off-Auto
- **SWITCH:** Alarm silence & On-Off-Test
- **LIGHT:** Green pump run
- **SUB PLATE:** Switch and light mounting
- **FUSE:** 1 Amp, Control circuit
- **ALTERNATOR:** Automatic
- **TERMINAL STRIP:** Box lugs for customer wiring & ground lugs
- **WIRING:** Color coded internal wiring
- **AUDIBLE ALARM:** Externally mounted 90 db @ 10 Ft. buzzer
- **ALARM LIGHT:** 360 degree red alarm light
- **LEVEL CONTROL:** Includes Qty. 4, normally open, mechanical, pilot duty, narrow angle, 5 Amp @ 120/240 VAC, Floats with 15 Ft. 16/2, SJOW cords and external weight.

Built and Labeled to UL 508A standard with NEMA 4X rating. Consult factory for other available options. Some options may require an increase in the enclosure size.

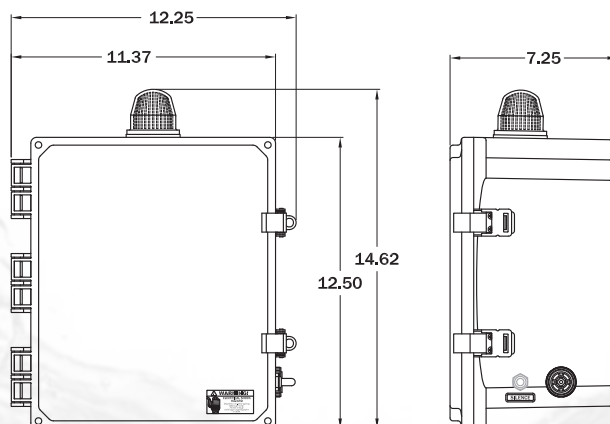
 **WARNING:** CANCER AND REPRODUCTIVE HARM- WWW.P65WARNINGS.CA.GOV



**Control Panel
Duplex, NEMA 4X
Single Phase,
115, 200, 230 Volt**



| HP | VOLTS | PH | MAX AMPS | PART NUMBER |
|----------|-------|----|----------|-------------|
| 1/2 | 115 | 1 | 20 | PF2000 |
| 1/2, 3/4 | 200 | 1 | 20 | PF2001 |
| 1/2, 3/4 | 230 | 1 | 20 | PF2003 |
| 1 | 200 | 1 | 20 | PF2011 |
| 1 | 230 | 1 | 20 | PF2013 |
| 1.5, 2 | 200 | 1 | 20 | PF2021 |
| 1.5, 2 | 230 | 1 | 20 | PF2023 |
| 2.8, 3 | 230 | 1 | 20 | PF2033 |
| 3 | 230 | 1 | 40 | PF2033-40 |
| 3.7 | 230 | 1 | 20 | PF2043 |
| 5 | 230 | 1 | 40 | PF2053-40 |



Accessories - Control Panels - Duplex - 115/200/230 - 1Ph



Power-Flo Pumps & Systems

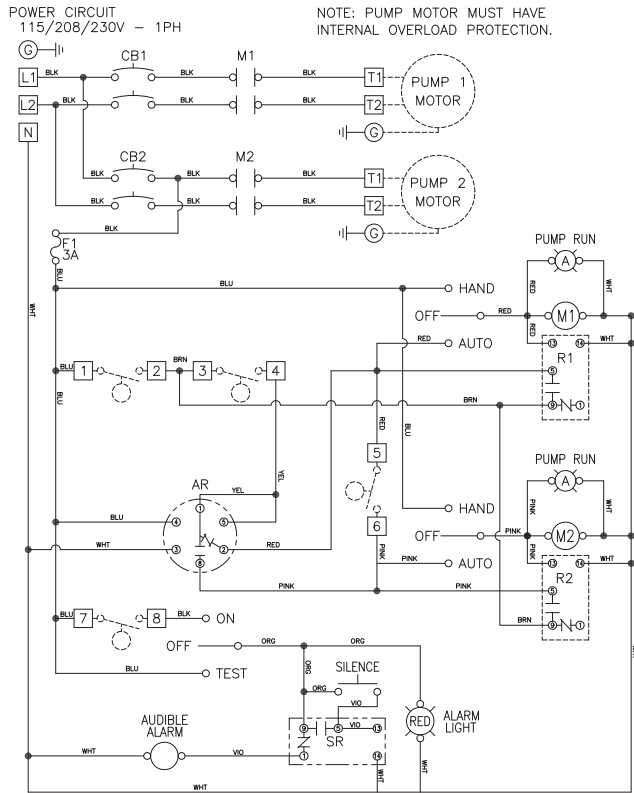
a Power-Flo Technologies company

877-24PUMPS • fax: 516-812-6897 • www.powerflopumps.com

Sect.
AC
Page
47
Rev.
02/2021

Models: PF2000, PF2001, PF2003, PF2011, PF2013, PF2021, PF2023, PF2033, PF2043, PF2053
For Sewage, Effluent & Non-Clog Pumps

1/2 thru 2, 2.8, 3, 3.7, 5HP -- Standard Panel Schematic



1/2 thru 2, 2.8, 3, 3.7, 5HP -- Standard Panel Layout

