

# Models: PFWRC3032C1F, PFWRC3032C2F

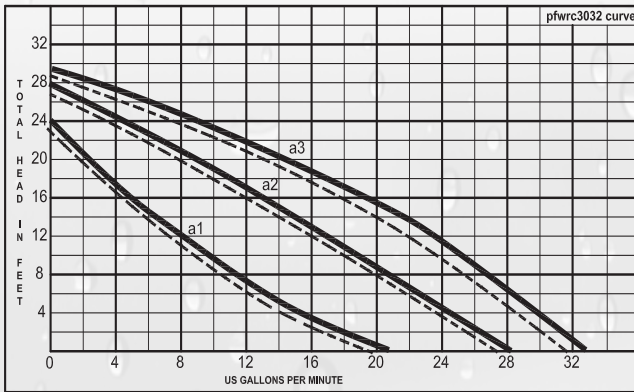


## Features:

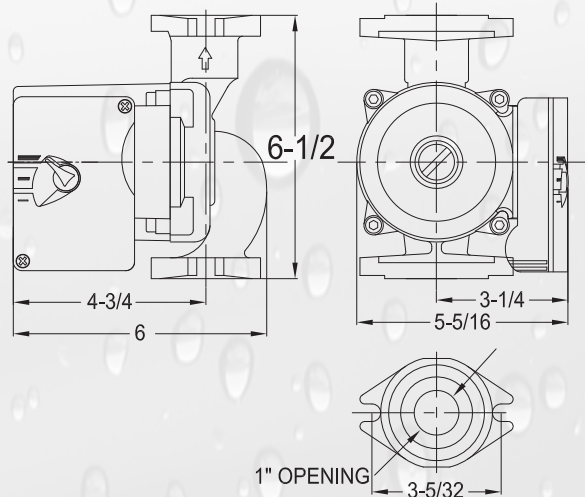
Power-Flo circulator pumps are low noise, low leakage, reliable operation and easy installation. Single and three speed compact, efficient wet rotor circulators for closed loop (cast iron volute) hydronic heating and cooling circulation and open loop (bronze and stainless steel) domestic water recirculation applications. **FOR INDOOR USE ONLY.**

- **MOTOR:** 2-pole, 3600rpm, single phase, PSC with Thermal protection
- **LIQUID TEMPERATURE:** 32°F - 230°F
- **MAX. SYSTEM PRESSURE:** 145 PSI
- **INSULATION:** Class H
- **VOLUTE:** Cast Iron
- **CHECK VALVE:** Removable, Prevents reverse and gravity flow
- **CONNECTION:** Flange with two 1/2" Dia. Bolt Holes and two flange gaskets
- **WARRANTY:** 3 year

## Wet Rotor Circulator Pumps Flange Connection Cast Iron Three Speed Closed System type



" — " without check valve, " - - - " with check valve



MODEL/PART NUMBER	VOLTS/PHASE	AMPS	WATTS	CURVE	CAPACITOR	WT. lbs
PFWRC3032C1F	115/1	1.8/1.7/1.2	200/190/135	a3/ a2 / a1	20mfd/200V	11.25
PFWRC3032C2F	230/1	0.9/0.85/0.6	200/190/135	a3/ a2/ a1	5mfd/450V	11.25

PF	WRC	21	20	Volute Material C, B, S	Motor Voltage 1 or 2	Connection Type F, S, U
Power-Flo	Wet Rotor Circulator	<b>Shut Off Head (ft)</b>	<b>Max Flow (Gal)</b>	C = Cast Iron B = Lead Free Bronze S = Stainless Steel	1 = 115 V 2 = 230V/1P	F = Flanged S = Copper Sweat U = Union

**EXAMPLE:** PFWRC2120C1F - Power-Flo Pumps - Wet Rotor Circulator - 21' Shut Off Head - 20 GPM Max Flow - Cast Iron Volute - 115 Volt, Flanged Connection.



**WARNING:**  
CANCER AND REPRODUCTIVE HARM-  
WWW.P65WARNINGS.CA.GOV

