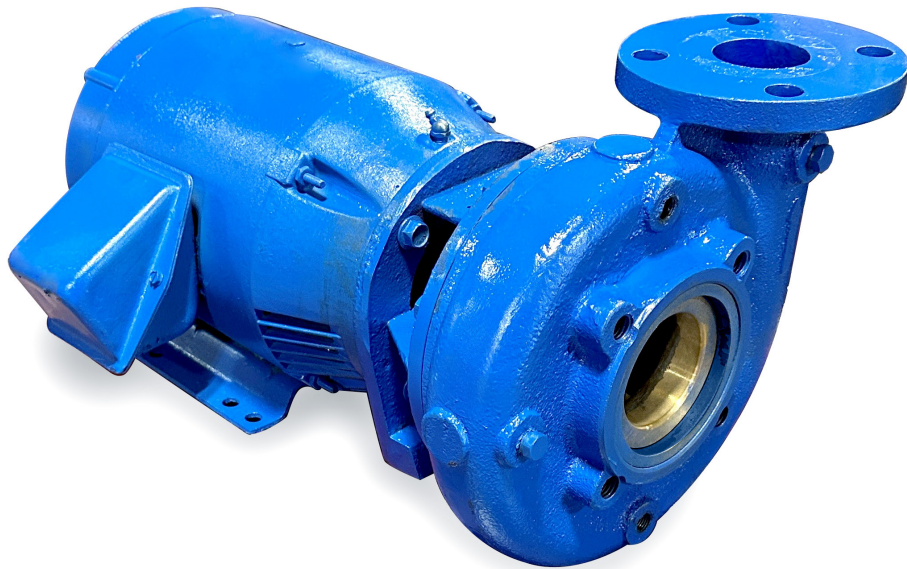




PF3040CC9



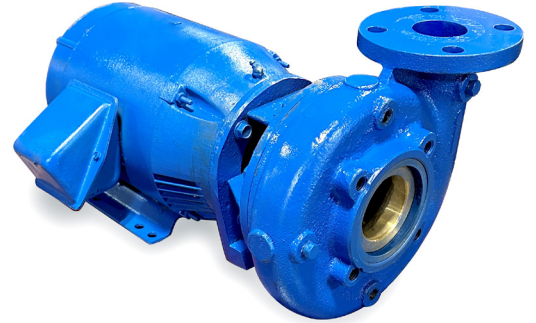
**CAST IRON STAINLESS
FITTED CLOSE COUPLED
END SUCTION PUMPS**



Features:

Cast Iron Stainless Fitted Close Coupled Pump for general pump service, pressure boosting, cooling towers, liquid transfer in municipal, commercial, industrial and retrofit applications

- **DISCHARGE:** 3" 125 lb. ANSI Flange, Discharge can be placed in 4 different locations depending on piping requirements
- **SUCTION:** 4" 125 lb. ANSI Flange
- **LIQUID TEMPERATURE:** 225°F Continuous
- **CASING:** Cast Iron, ASTM A48, Back Pull-Out design, with removing Suction & Discharge Piping
- **CASING WEAR RING:** Bronze C95200
- **CASE WORKING PRESSURE:** 175 PSI
- **MOTOR BRACKET:** Cast iron ASTM A48
- **SHAFT:** Stainless Steel AISI420
- **SHAFT SLEEVE:** Bronze C95200
- **PAINT:** Air dry enamel
- **HARDWARE:** Steel
- **SEAL:** Mechanical, Carbon/Ni-Resist/Buna-N
- **IMPELLER:** Stainless Steel Enclosed Type, Dynamically Balanced, ISO G6.3, Maximum spheres .375", Bronze C95200
- **Impeller sizes:** 9.00", 8.00", 7.00"
- **Standard with JM Frame:** TEFC NEMA Premium motors for inverter duty
- **WEIGHT:** 254 lbs. (Pump Only)
- **WARRANTY:** 1 year



PF3040CC9
4" suction x
3" Discharge
Close Coupled

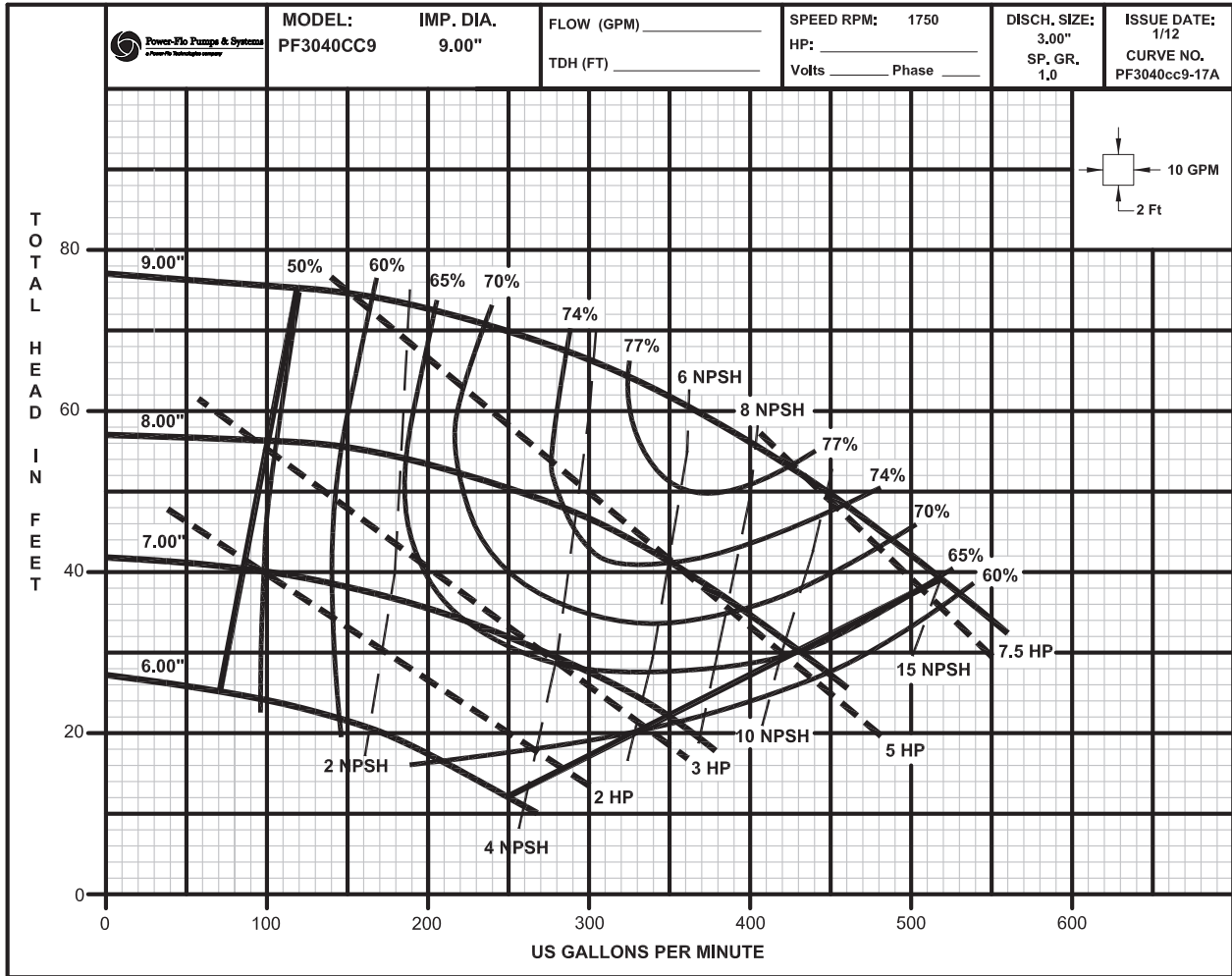
WARNING: CANCER AND REPRODUCTIVE HARM
WWW.P65WARNINGS.CA.GOV

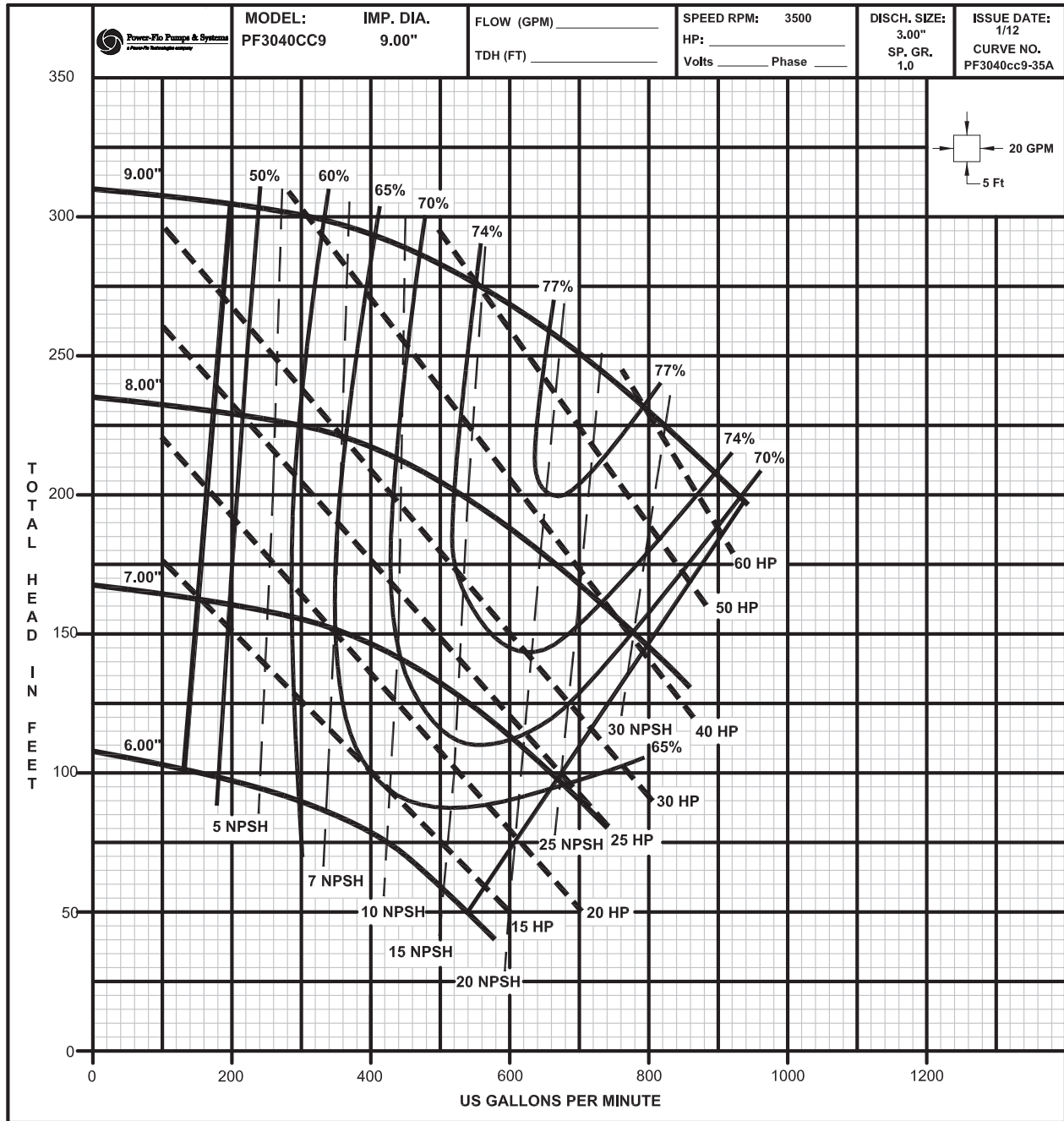
WARNING: DO NOT use in explosive atmosphere
or for pumping volatile flammable liquids

Not sure about which pump to choose or where to start? Simply scan our QR code to unlock our comprehensive manual, designed to guide you through the process of finding the perfect pump for your specific needs. Contact Power-Flo Pumps today.



MODEL	Description	Volts	Phase	FLA
PF3040CC9-3002	3X4X9A Close Coupled Cast Iron with Stainless Impeller, Large Bore 30HP 3600RPM 286JM 7.00" impeller w/ TEFC Prem Eff motor.	208/230/460	3	74.8/67.3/33.8
PF3040CC9-4002	3X4X9A Close Coupled Large Bore 40HP 3600RPM 324JM 8.00" impeller w/ TEFC Prem Eff motor.	208/230/460	3	101/91.6/45.8
PF3040CC9-6002	3X4X9A Close Coupled Cast Iron with Stainless Impeller, Large Bore 60HP 3600RPM 326JM 9.00" impeller w/ TEFC Prem Eff motor.	208/230/460	3	155/140/70.2
PF3040CC9-304	3X4X9A Close Coupled Small Bore 3HP 1800RPM 182JM 7.00" impeller w/ TEFC Prem Eff motor.	208/230/460	3	8.5/7.7/3.8
PF3040CC9-504	3X4X9A Close Coupled Cast Iron with Stainless Impeller, Small Bore 5HP 1800RPM 184JM 8.00" impeller w/ TEFC Prem Eff motor.	208/230/460	3	14.3/12.9/6.4
PF3040CC9-754	3X4X9A Close Coupled Cast Iron with Stainless Impeller, Small Bore 7.5HP 1800RPM 182JM 9.00" impeller w/ TEFC Prem Eff motor.	208/230/460	3	19.9/18.0/9.0
PF2025CC9-304-1	3x4x9A Close Coupled Cast Iron with Stainless Impeller, Small Bore 3HP 1800RPM 215JM 7.00" impeller w/TEFC Prem Eff motor	115/208/230	1	18.0/7.76/9.0





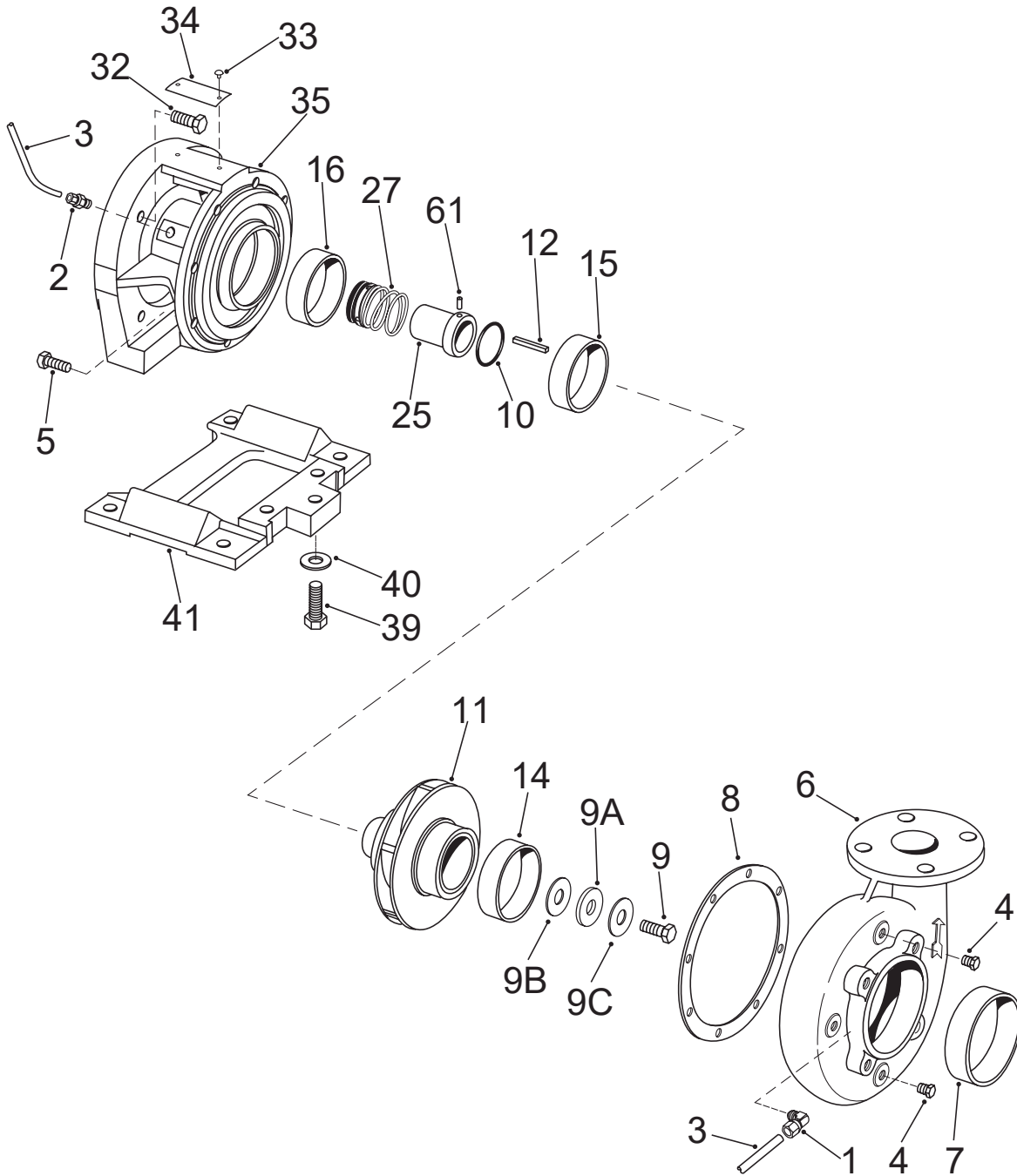
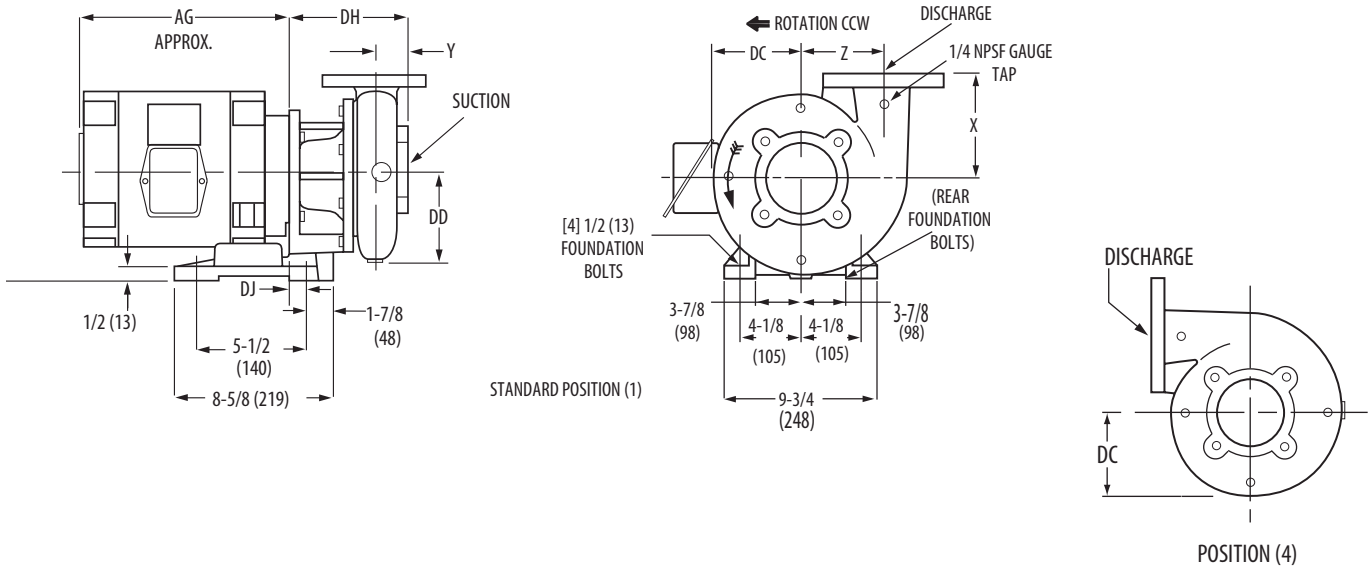


Diagram No.	Description	Qty	Part No.
1	Compression Elbow	1	PF8683660190
2	Compression Connector	1	PF8683359190
3	Tubing	1	PF8720124175
4	Pipe Plug	3	PF6000002087
5	Cap Screw	8	PF1680487082
6	Casing, 2x2-1/2x9	1	PF1802152010
6	Casing, 3x4x9A	1	PF1802351010
6	Casing, 4x5x9A	1	PF1802156010
7	Case Ring, 2X2-1/2X9	1	PF6761152208
7	Case Ring, 3x4x9A	1	PF6761154208
7	Case Ring 3x4x9A	1	PF6761154208
8	Gasket	1	PF3641015603
9	Capscrew Small Bore	1	PF1680382113
9	Capscrew Large Bore	1	PF1680490113
9A	Washer, Small Bore	1	PF9080603087
9A	Washer, Large Bore	1	PF9080604087
9B	Gasket, Small Bore	1	PF3642034603
9B	Gasket, Large Bore	1	PF3642035603
9C	Capscrew Seal, Small Bore	1	PF9081290999
9C	Capscrew Seal, Large Bore	1	PF9081292999
10	O-Ring, Small Bore	1	PF3640409457
10	O-Ring, Large Bore	1	PF3640414457
11	Impeller 2x2-1/2x9 Small Bore	1	PF4430441225
11	Impeller 2x2-1/2x9 Large Bore	1	PF4430443225
11	Impeller, 3x4x9A Small Bore	1	PF4431766225
11	Impeller, 3x4x9A Large Bore	1	PF4431768225
11	Impeller, 4x5x9A Small Bore	1	PF4431777225
11	Impeller, 4x5x9A Large Bore	1	PF4431752225
12	Impeller Key, Small Bore	1	PF4720201087
12	Impeller Key, Large Bore	1	PF4720247087
25	Sleeve, Small Bore	1	PF7560077208
25	Sleeve, Large Bore	1	PF7560078208
27	Seal, Small Bore	1	PF7120907753
27	Seal, Large Bore	1	PF7120910753
32	Motor Bracket Capscrew 143JM - 184JM	4	PF1680386082
32	Motor Bracket Capscrew 213JM - 256JM	4	PF1680490082
33	Nameplate screw	1	RF
34	Nameplate	1	RF
35	Motor Bracket, 143JM - 184JM	1	PF1160193010
35	Motor Bracket, 213JM - 215JM	1	PF1160195010
35	Motor Bracket, 254JM - 256JM	1	PF1160198010
35	Motor Bracket, 284JM - 326JM	1	PF1160477010
39	Foot Capscrew, 143JM - 184JM ONLY	3	PF1680488082
40	Foot Washer. 143JM-184JM ONLY	3	PF9080114080
41	Foot Support, 143JM - 184JM ONLY	1	PF8200184010
	REPAIR KIT Small Bore (Specify Impeller Trim) includes Items 7,8,9,9A,9B,9C,10,11,12,27		PF4760418644
	REPAIR KIT Large Bore (Specify Impeller Trim) includes Items 7,8,9,9A,9B,9C,10,11,12,27		PF4760419644
	SEAL KIT Small Bore includes items 8,9,9A,9B,9C,10,12,25,27		PF4760250644
	SEAL KIT Large Bore includes items 8,9,9A,9B,9C,10,12,25,27		PF4760253644



Pumps With AM. STD. 125 LB. Flanged Connections

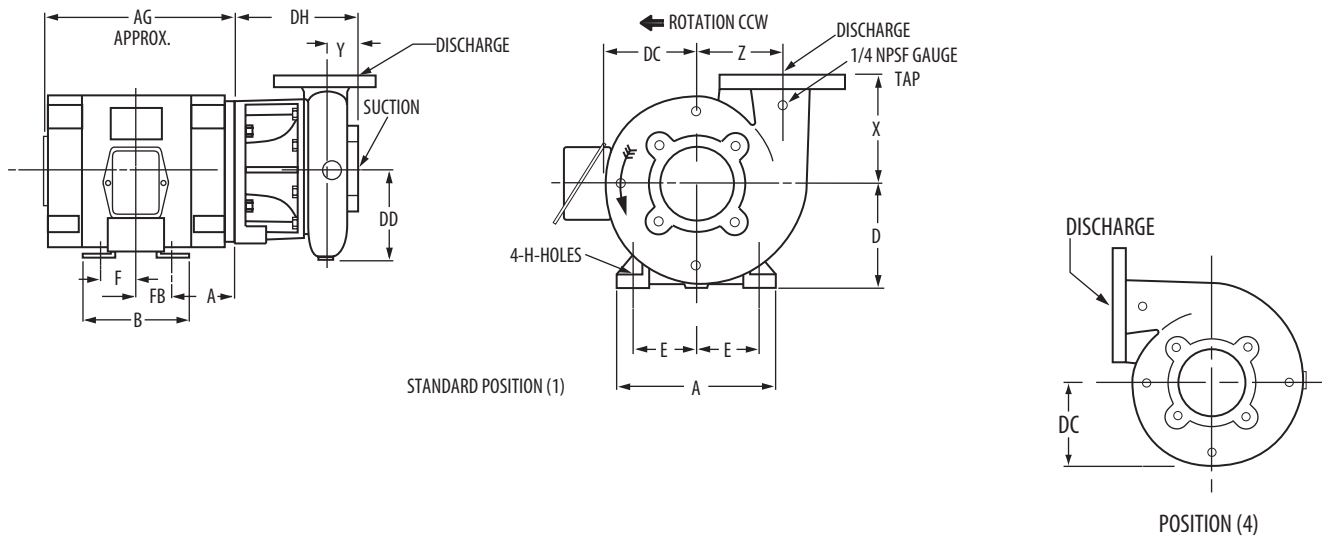
Discharge	Suction	Case Bore	X	Y	Z	DC	DD	DH		DJ	
								341A	361A	341A	361A
2	2-1/2	7	5-5/8	1-7/8	4-9/16	5-3/8	5-13/16	6-13/16	9-7/8	5/8	1-7/8
2	2-1/2	9	7	1-7/8	5-11/16	6-1/2	6-7/8	6-3/4	9-13/16		
3	4	9	7-1/2	2-1/8	6-1/8	6-7/8	7-7/16	7-1/4	10-5/16		
4	5	9A	7-1/4	3-1/8	5-3/4	6-11/16	7-3/8	8-3/8	11-7/16		

JM

Frame	AG
143	10
145	11
182	11
184	12

NOTES:

1. All dimensions in inches
2. Dimensions may vary $\pm 1/4$ (6).
3. Not for construction purposes unless certified.
4. Check discharge position. Casing dimension which exceed
5. Conduit box is shown in approximate location. Dimensions are not specified as they vary with each motor manufacturer.
6. Model 341A uses JM motor frames.



Pumps With ANSI 125 LB. Flanged Connections

Discharge	Suction	Case Bore	X	Y	Z	DC	DD	DH			
								341A			361A
								213JM 215 JM	254 JM 256 JM	284JM 326 JM	213 JP- 326 JP
2	2-1/2	7	5-5/8	1-7/8	4-9/16	5-3/8	5-13/16	6-13/16	7-13/16	N/A	10-11/16
2	2-1/2	9	7	1-7/8	5-11/16	6-1/2	6-7/8	6-3/4	7-3/4	7-3/4	10-5/8
3	4	9	7-1/2	2-1/8	6-1/8	6-7/8	7-7/16	7-1/4	8-1/4	8-1/4	11-1/8
4	5	9A	7-1/4	3-1/8	5-3/4	6-11/16	7-3/8	8-3/8	9-3/8	9-3/8	12-1/4

JM MOTOR FRAMES

FRAME	213	215	254	256	284	286	324	326
A	10-1/2	10-1/2	12-1/2	12-1/2	14	14	16	16

NOTES:

- All dimensions in inches and (mm).
- Dimensions may vary $\pm 1/4$ (6).
- Not for construction purposes unless certified.
- N/A = Not Applicable.
- Check discharge position, casing dimensions which exceed dimension "D" may require pads for the motor.
- Conduit box is shown in approximate location. Dimensions are not specified as they vary with each motor.