

**Models: PFC4NC4524, PFC4NC4534, PFC4NC4544,
PFC4NC7534, PFC4NC7544, PFC4NC11334,
PFC4NC11344, PFC4NC15034, PFC4NC15044**

Features:

Submersible solids handling sewage pump designed for typical raw sewage applications.

- **DISCHARGE:** 4" 125 lb., ANSI Flange, Horizontal
- **LIQUID TEMPERATURE:** 104°F
- **MOTOR HOUSING, VOLUTE & SEAL PLATE:** Cast Iron, Class 30
- **IMPELLER:** 2 vane semi open type with pump out vanes on back side, Dynamically balanced, ISO G6.3, Cast Iron, Class 30
- **SHAFT & HARDWARE:** Stainless steel
- **PAINT:** Air dry enamel
- **SQUARE RINGS:** Buna-N
- **SEAL:** Double mechanical, 1.25 inch, T21 Oil Filled pressure equalized reservoir, Carbon/Ceramic/Silicon inner seal, Carbide/Silicon Carbide/Viton outer seal
- **UPPER BEARING:** Single row, ball, oil lubricated
- **LOWER BEARING:** Double row, ball, oil lubricated
- **POWER CORD:** 30 Ft., Epoxy sealed housing with secondary Pressure grommet for sealing and strain relief.
- **SENSOR CORD:** 30 Ft., type cord.
- **MOTOR:** Class F Insulation, Oil Filled
- **SINGLE PHASE:** Capacitor Start/Capacitor Run. Requires Starter or Panel which includes capacitors and overload protection. (Included in listed panels)
- **THREE PHASE:** 230/460 Volt. Dual Voltage. Requires overload protection to be included in control panel. (Included in listed panels)
- **SEAL LEAK SENSOR:** Normally open (N/O), 2 probe design. requires relay in control panel. (Included in listed panels)
- **TEMPERATURE SENSOR:** Normally closed (N/C), requires relay in control panel. (Included in listed panels)
- **WARRANTY:** 1 year



WARNING: CANCER AND REPRODUCTIVE HARM-
WWW.P65WARNINGS.CA.GOV



**Submersible
Solids Handling
4" Discharge,
3" Spherical Solids,
Double Seal**

MODEL	HP	Volt/PH	NEMA Start Code	Full Load Amps	Locked Rotor Amps	Cord Size	Cord Type	Cord O.D inch	SIMPLEX PANEL P/N	DUPLEX PANEL P/N
PFC4NC4524	4.5	230/1	A	26.0	59.0	10/4	SEOOW	0.702	PF1053NC-COST-40	PF2053NC-COST-40
PFC4NC4534	4.5	230/3	B	17.6	56.0	10/4	SEOOW	0.702	PF1054-OST-20	PF2054-OST-20
PFC4NC4544	4.5	460/3	B	8.8	28.0	10/4	SEOOW	0.702	PF1055-OST	PF2055-OST
PFC4NC7534	7.5	230/3	B	23.6	80.0	10/4	SEOOW	0.702	PF1084-OST-25	PF2084-OST-25
PFC4NC7544	7.5	460/3	B	11.8	40.0	10/4	SEOOW	0.702	PF1085-OST-20	PF2085-OST-20
PFC4NC11334	11.3	230/3	B	28.4	126.0	10/4	SEOOW	0.702	PF1124-OST-32	PF2124-OST-32
PFC4NC11344	11.3	460/3	B	14.2	63.0	10/4	SEOOW	0.702	PF1125-OST-20	PF2125-OST-20
PFC4NC15034	15	230/3	B	40.0	160.0	8/4	SEOOW	0.778	PF1154-OST-65	PF2154-OST-65
PFC4NC15044	15	460/3	B	20.0	80.0	8/4	SEOOW	0.778	PF1155-OST-20	PF2155-OST-20

Single phase models require **Capacitor/Relay Pack PF73301**, available for panels by others.

Seal Leak Sensor Relay kit PF08610 & Temperature Sensor.

Relay Kit PF0876 are available for panels by others.



Power-Flo Pumps & Systems

a Power-Flo Technologies company

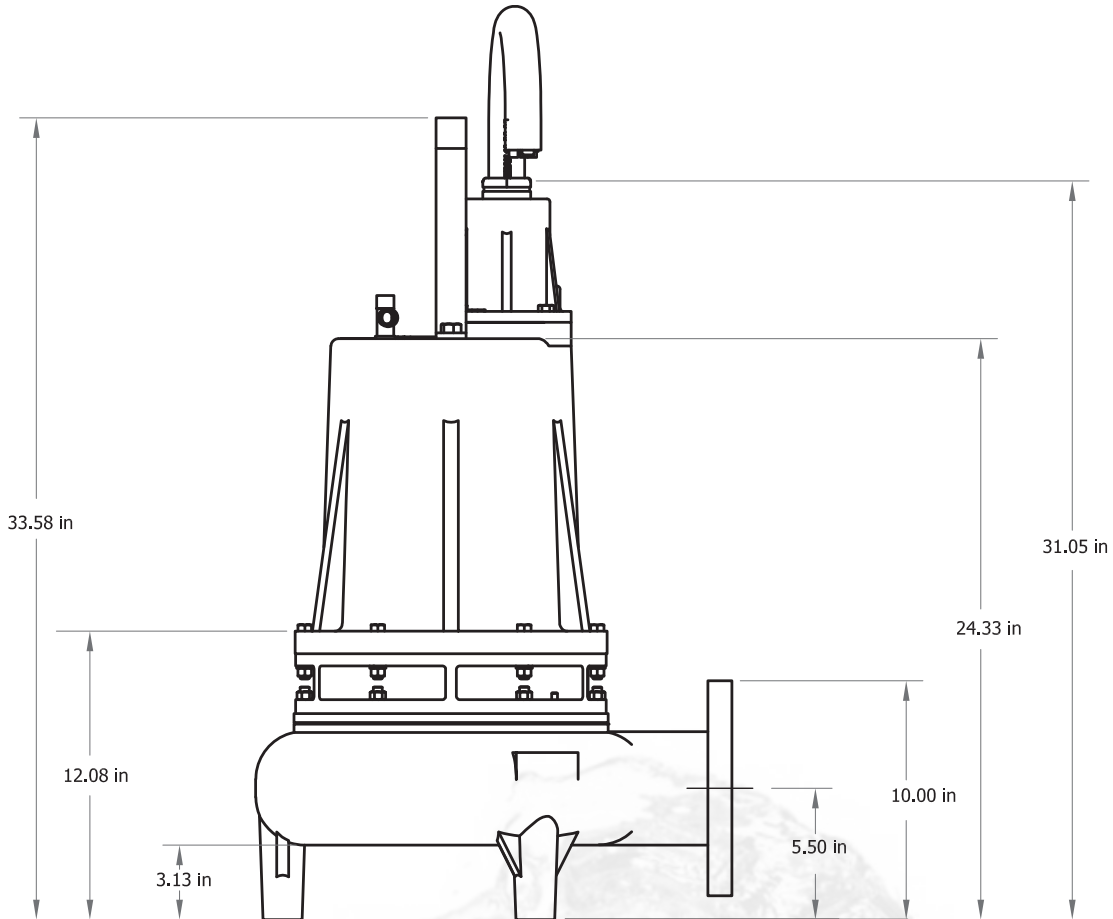
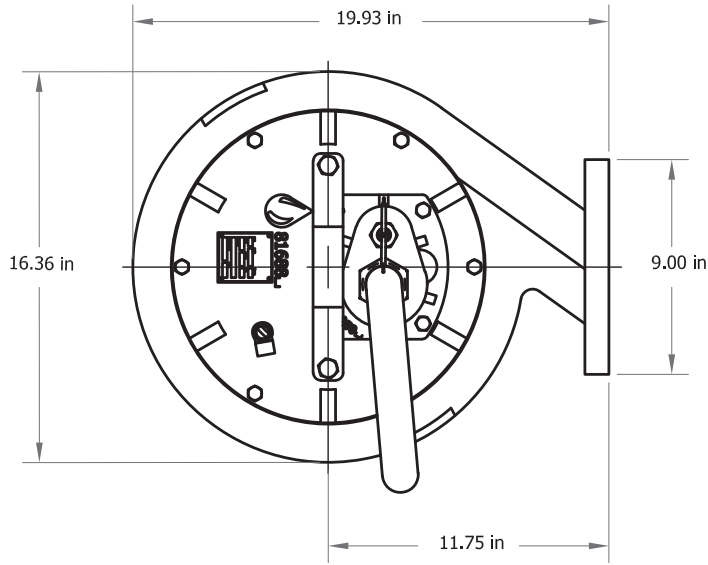
877-24PUMPS • fax: 516-812-6897 • www.powerflopumps.com

4" Solids Handling Pumps - 4.5, 7.5, 11.3 & 15HP - 1750RPM - 60Hz

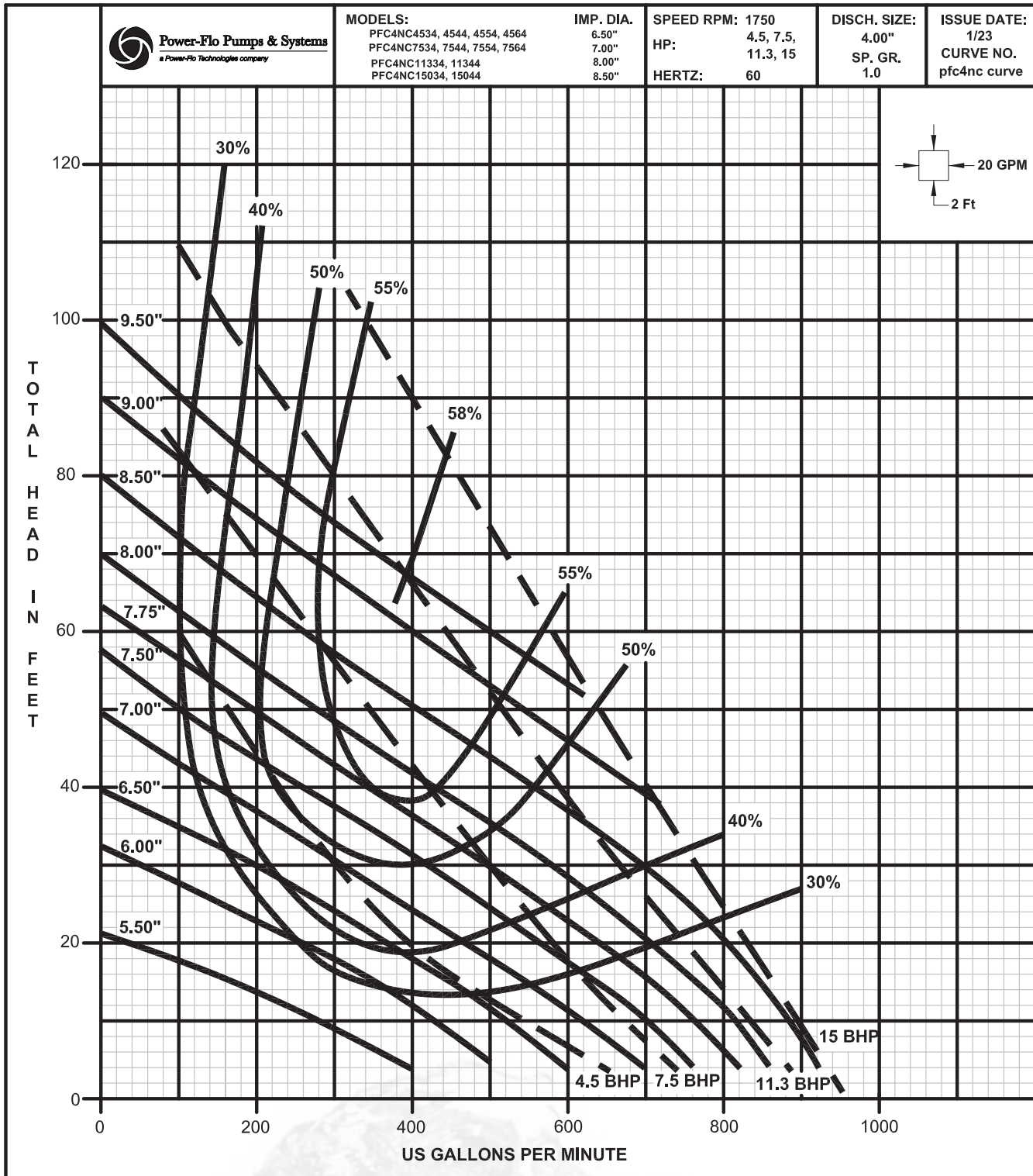
Sect.
NC
Page
1
Rev.
3/2023

4" Solids Handling Pumps - 4.5, 7.5, 11.3 & 15HP - 1750RPM - 60Hz

**Models: PFC4N4524, PFC4NC4534, PFC4NC4544,
PFC4NC7534, PFC4NC7544, PFC4NC11334,
PFC4NC11344, PFC4NC15034, PFC4NC15044**



**Models: PFC4N4524, PFC4NC4534, PFC4NC4544,
PFC4NC7534, PFC4NC7544, PFC4NC11334,
PFC4NC11344, PFC4NC15034, PFC4NC15044**



4" Solids Handling Pumps - 4.5, 7.5, 11.3 & 15HP - 1750RPM - 60Hz



Power-Flo Pumps & Systems

a Power-Flo Technologies company

877-24PUMPS • fax: 516-812-6897 • www.powerflopumps.com

Sect.
NC
Page
3
Rev.
03/2023