



PFCSEH



2HP - 3 HP • 3450 RPM • 60 HZ
SUBMERSIBLE SEWAGE PUMP



Features:

Submersible solids handling sewage pumps are designed for sewage, stormwater, septic tanks, ground water level control.

- **DISCHARGE:** 3" NPT, Female
- **LIQUID TEMPERATURE:** 104°F Continuous
- **MOTOR HOUSING/ VOLUTE:** Cast Iron, Class 30
- **IMPELLER:** 2 vane, Semi Open type , Cast Iron, Class 30
- **SHAFT & HARDWARE:** Stainless steel
- **SEAL PLATE:** Cast Iron, Class 30
- **PAINT:** Air dry enamel
- **O-RINGS:** Buna-N
- **SEAL:** Inboard, Single mechanical, 1 inch T6, Oil Filled reservoir, Silicon Carbide/Viton
- **UPPER BEARING:** Single row, ball, oil lubricated
- **LOWER BEARING:** Single row, ball, oil lubricated
- **POWER CORD:** 16' Cord. Epoxy sealed housing with secondary Pressure grommet for sealing and strain relief.
- **MOTOR:** Class B Insulation, Oil Filled, Squirrel Cage Induction
- **SINGLE PHASE:** Permanent Split Capacitor (PSC), Includes overload protection in motor
- **THREE PHASE:** 230/460 is Dual-voltage motor. Requires overload protection to be included in control panel
- **WARRANTY:** 1 year



High Head Submersible Sewage 3" Discharge, 1-1/2" Spherical Solids Manual Operation

WARNING: CANCER AND REPRODUCTIVE HARM
WWW.P65WARNINGS.CA.GOV

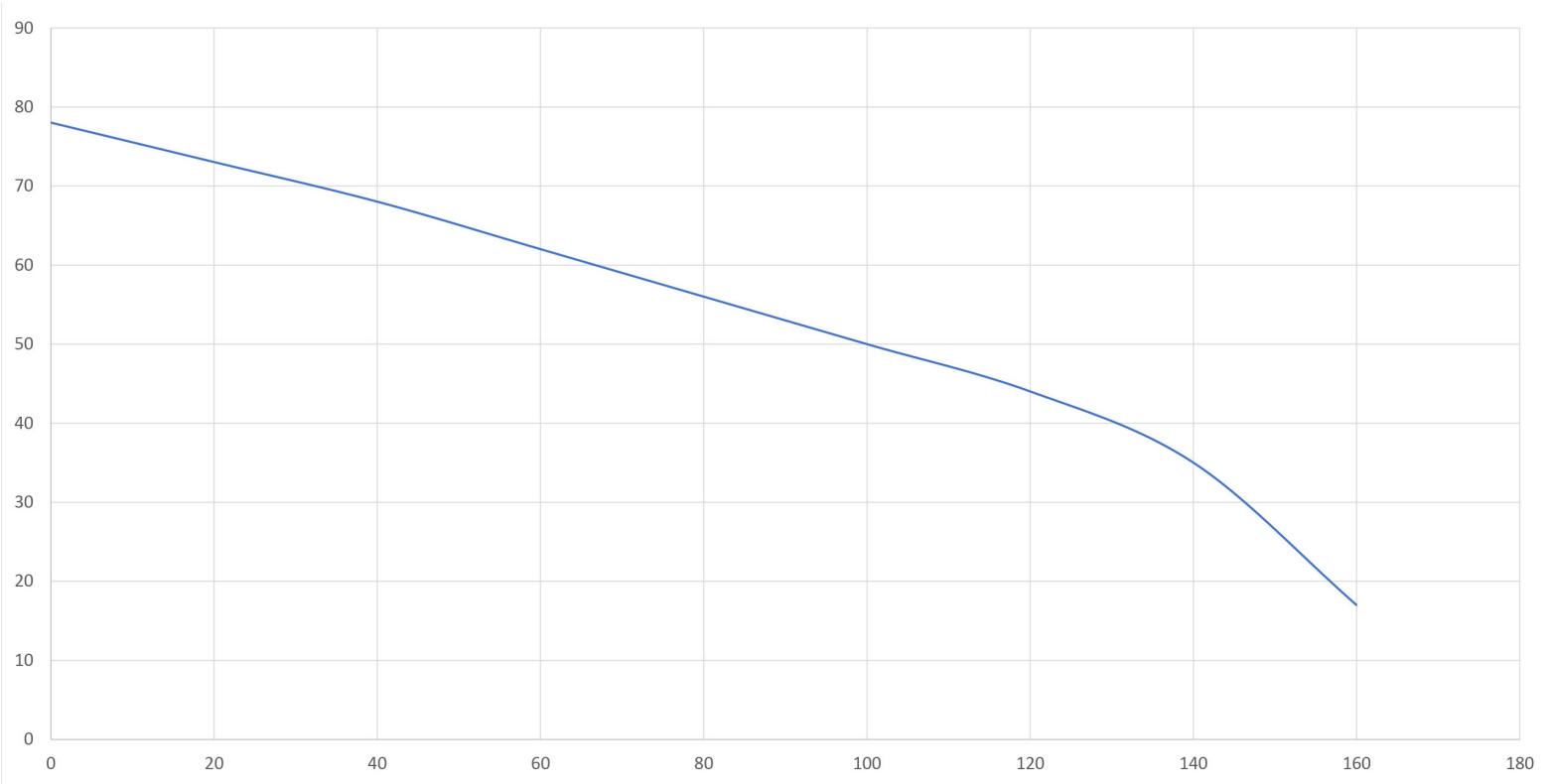
MODEL	HP	VOLT/PH	RPM	FLA	LOCKED ROTOR AMPS	BREAKER AMPS	CORD SIZE
PFCSEH2094	2.0	230/3	3450	14	36	30	12/4
PFCSEH2044	2.0	460/3	3450	7	18	15	12/4
PFCSEH3094	3.0	230/3	3450	16.4	40	30	12/4
PFCSEH3044	3.0	460/3	3450	8.2	20	20	12/4

Not sure about which pump to choose or where to start? Simply scan our QR code to unlock our comprehensive manual, designed to guide you through the process of finding the perfect pump for your specific needs. Contact Power-Flo Pumps today.



PFCSEH2094 & PFCSEH2044

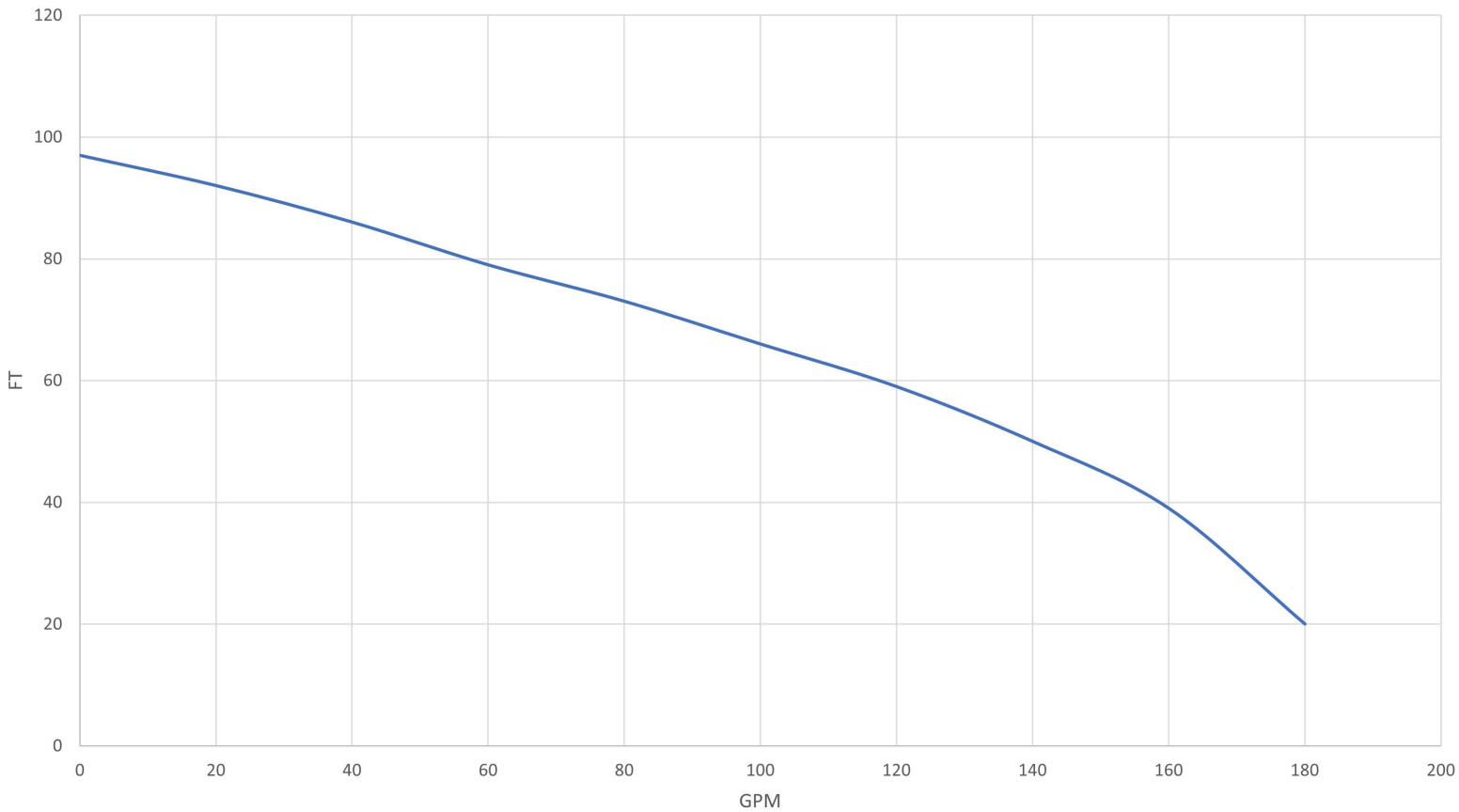
3" Discharge • 1-1/2" Spherical Solids • 3450RPM

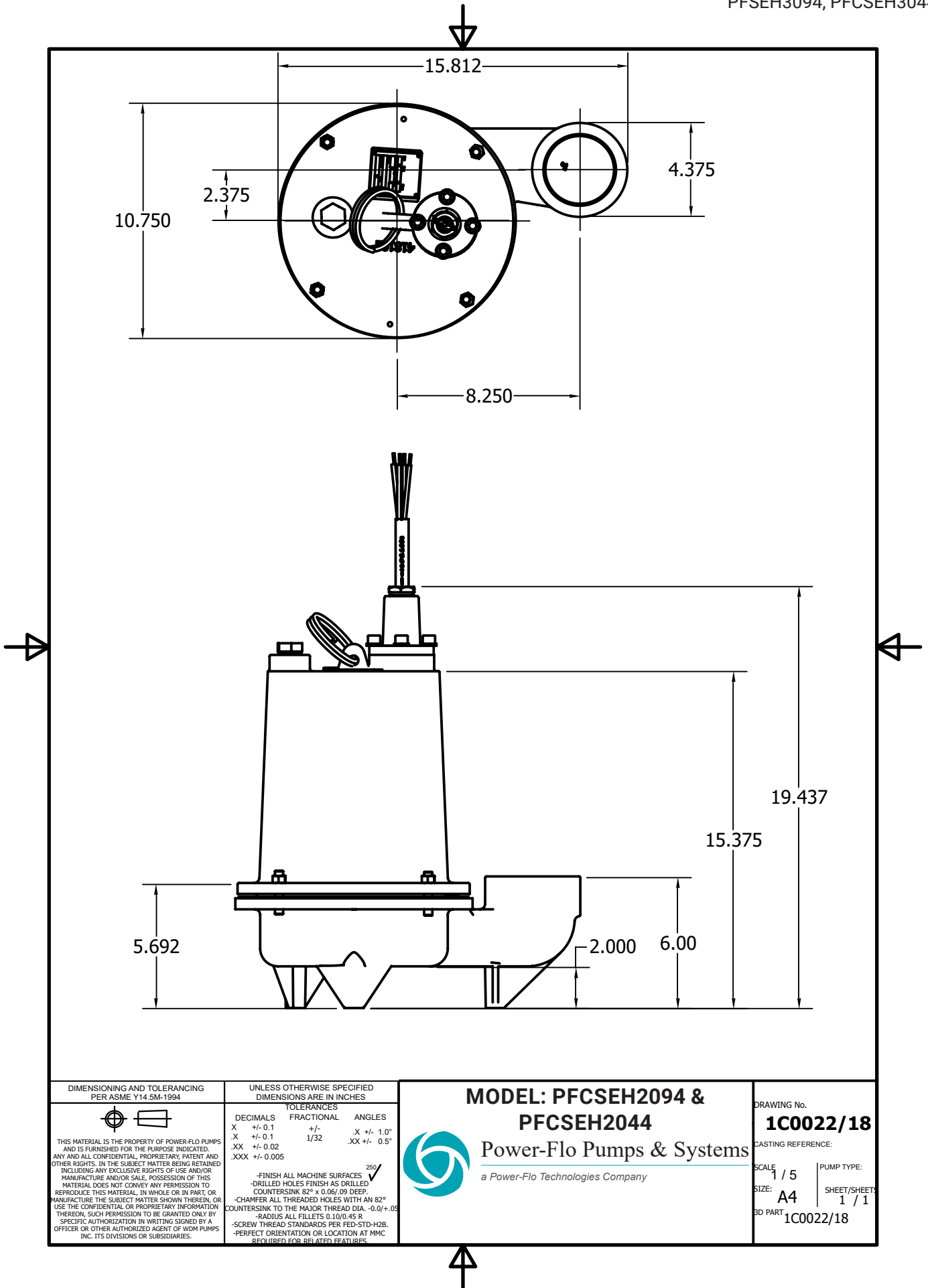




PFCSEH3094 & PFCSEH3044

3" Discharge • 1-1/2" Spherical Solids • 3450RPM





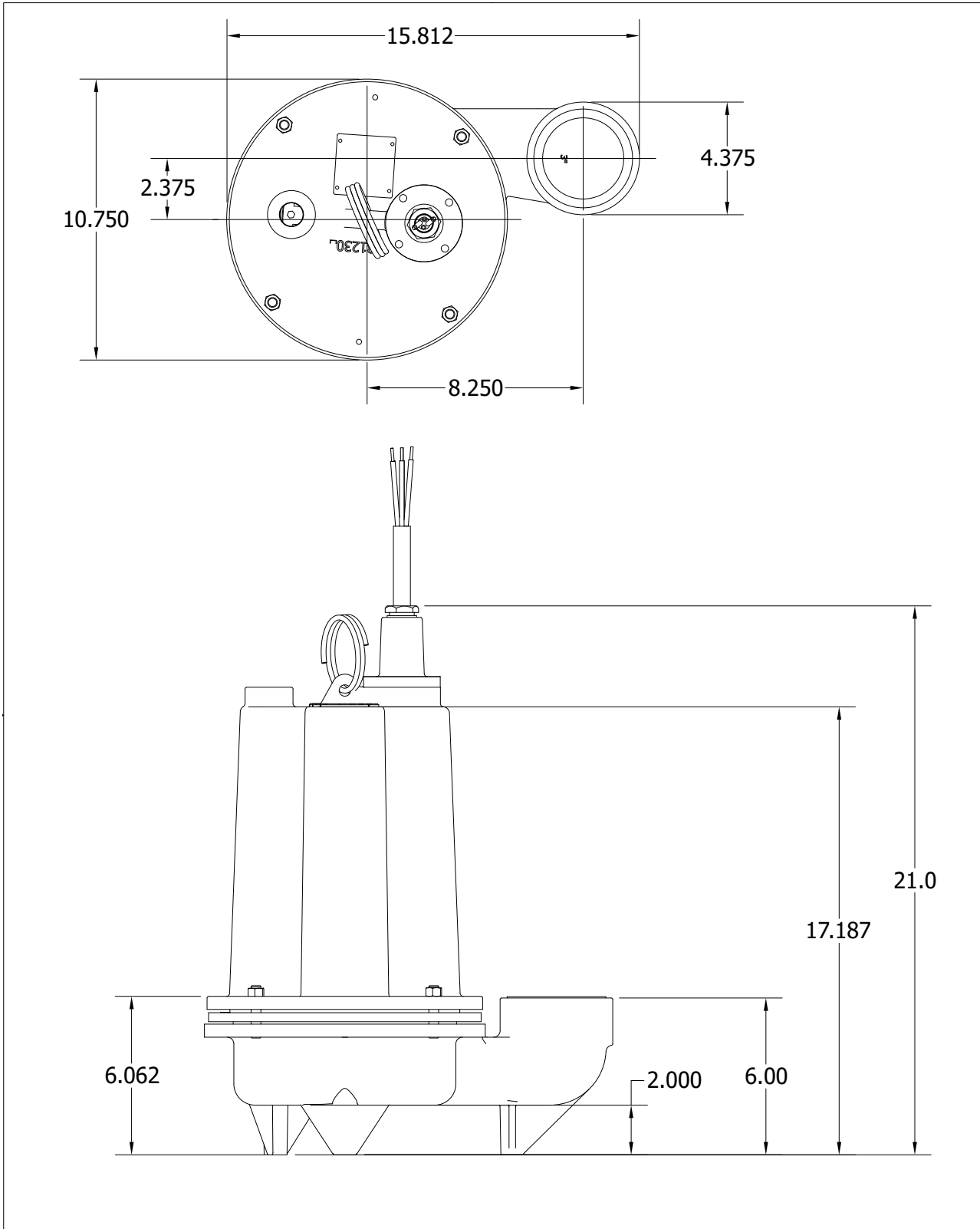
DIMENSIONING AND TOLERANCING PER ASME Y14.5M-1994 	UNLESS OTHERWISE SPECIFIED DIMENSIONS ARE IN INCHES	
	DECIMALS X +/- 0.1 .X +/- 0.1 .XX +/- 0.02 .XXX +/- 0.005	FRACTIONAL +/- 1/32 +/-
THIS MATERIAL IS THE PROPERTY OF POWER-FLO PUMPS AND IS FURNISHED FOR THE PURPOSE INDICATED. ANY AND ALL CONFIDENTIAL, PROPRIETARY, PATENT AND OTHER RIGHTS, IN THE SUBJECT MATTER BEING RETAINED INCLUDING ANY EXCLUSIVE RIGHTS OF USE AND/OR MANUFACTURE AND/OR SALE, POSSESSION OF THIS MATERIAL DOES NOT CONVEY ANY PERMISSION TO REPRODUCE THIS MATERIAL, IN WHOLE OR IN PART, OR MANUFACTURE THE SUBJECT MATTER SHOWN THEREIN, OR USE THE CONFIDENTIAL OR PROPRIETARY INFORMATION THEREON, SUCH PERMISSION TO BE GRANTED ONLY BY SPECIFIC AUTHORIZATION IN WRITING SIGNED BY A OFFICER OR OTHER AUTHORIZED AGENT OF WDM PUMPS INC. ITS DIVISIONS OR SUBSIDIARIES.	250 -FINISH ALL MACHINE SURFACES ✓ -DRILLED HOLES FINISH AS DRILLED COUNTERSINK 82° x 0.061/09 DEEP -CHAMFER ALL THREADED HOLES WITH AN 82° COUNTERSINK TO THE MAJOR THREAD DIA. -0.0/+0.05 -RADIUS ALL FILLETS 0.10/0.45 R -SCREW THREAD STANDARDS PER FED-STD-H2B. -PERFECT ORIENTATION OR LOCATION AT MMC REQUIRED FOR RELATED FEATURES	


MODEL: PFCSEH2094 & PFCSEH2044

Power-Flo Pumps & Systems

a Power-Flo Technologies Company

DRAWING No.	
1C0022/18	
CASTING REFERENCE:	
SCALE	PUMP TYPE:
1 / 5	
SIZE:	SHEET/SHEETS
A4	1 / 1
3D PART	
1C0022/18	



<p>DIMENSIONING AND TOLERANCING PER ASME Y14.5M-1994</p>	<p>UNLESS OTHERWISE SPECIFIED DIMENSIONS ARE IN INCHES</p>	<p align="center">PFCSEH3094 & PFCSEH3044</p>  <p align="center">Power-Flo Pumps & Systems a Power-Flo Technologies Company</p>	<p>DRAWING No. 1C0033/34</p>														
<p>THIS MATERIAL IS THE PROPERTY OF POWER-FLO PUMPS AND IS FURNISHED FOR THE PURPOSE INDICATED. ANY AND ALL CONFIDENTIAL, PROPRIETARY, PATENT AND OTHER RIGHTS, IN THE SUBJECT MATTER BEING RETAINED INCLUDING ANY EXCLUSIVE RIGHTS OF USE AND/OR MANUFACTURE AND/OR SALE. POSSESSION OF THIS MATERIAL DOES NOT CONVEY ANY PERMISSION TO REPRODUCE THIS MATERIAL, IN WHOLE OR IN PART, OR MANUFACTURE THE SUBJECT MATTER SHOWN THEREIN, OR USE THE CONFIDENTIAL OR PROPRIETARY INFORMATION THEREON, SUCH PERMISSION TO BE GRANTED ONLY BY SPECIFIC AUTHORIZATION IN WRITING SIGNED BY A OFFICER OR OTHER AUTHORIZED AGENT OF WDM PUMPS INC. ITS DIVISIONS OR SUBSIDIARIES.</p>	<p>TOLERANCES</p> <table border="1"> <thead> <tr> <th>DECIMALS</th> <th>FRACTIONAL</th> <th>ANGLES</th> </tr> </thead> <tbody> <tr> <td>X +/- 0.1</td> <td>+/-</td> <td>.X +/- 1.0°</td> </tr> <tr> <td>.X +/- 0.1</td> <td>1/32</td> <td>.XX +/- 0.5°</td> </tr> <tr> <td>.XX +/- 0.02</td> <td></td> <td></td> </tr> <tr> <td>.XXX +/- 0.005</td> <td></td> <td></td> </tr> </tbody> </table> <p>-FINISH ALL MACHINE SURFACES $\sqrt{\text{250}}$ -DRILLED HOLES FINISH AS DRILLED -COUNTERSINK 82° x 0.06/.09 DEEP -CHAMFER ALL THREADED HOLES WITH AN 82° COUNTERSINK TO THE MAJOR THREAD DIA. -0.0/+0.05 -RADIUS ALL FILLETS 0.10/0.45 R -SCREW THREAD STANDARDS PER FED-STD-H2B. -PERFECT ORIENTATION OR LOCATION AT MMC REQUIRED FOR RELATED FEATURES.</p>		DECIMALS	FRACTIONAL	ANGLES	X +/- 0.1	+/-	.X +/- 1.0°	.X +/- 0.1	1/32	.XX +/- 0.5°	.XX +/- 0.02			.XXX +/- 0.005		
DECIMALS	FRACTIONAL	ANGLES															
X +/- 0.1	+/-	.X +/- 1.0°															
.X +/- 0.1	1/32	.XX +/- 0.5°															
.XX +/- 0.02																	
.XXX +/- 0.005																	

1- INTRODUCTION

This manual is a guide for the installation, operation, and maintenance of Power Flo wastewater pumps PFCSEH.

Carefully read the instructions before installing your equipment. Keep it for future consultations. The pumps have been built according to North American pump manufacturers (Contractors Pump Bureau) and tested by means of hydrostatic and performance tests that guarantee their correct operation. Inspect them carefully and make sure that there are not missing pieces and that they have not deteriorated in transport. Make the claim to the transport company as soon as possible in case it is necessary.

The design, materials and processes used in the manufacture of our products ensure proper functioning. However, life and duration will depend on the adequate application, installation, periodic inspection and, in general, on careful preventive maintenance.



WARNING!

Power-Flo Pumps & Systems is not responsible for damages or accidents that occur if the instructions given in this manual are not followed. The warranty is only valid when original spare parts are used.

2 - SAFETY RECOMMENDATIONS

- Use safety shoes when handling heavy parts or tools.
- Do not operate the pumps with closed discharge valves.
- Do not remove caps or drain valves when the equipment is working.
- Never try to attach pipes to the pumps by force. Sizes must be adequate.
- For any maintenance work always disconnect the power.
- Make sure the pump is isolated from a pressurized system before disassembling it.
- Never apply heat to disarm the pump. There may be an explosion risk.
- Do not wear loose clothes that can be taken by the driver or other movable parts.
- Never place your hands on suction or discharge openings.
- Do not manipulate the pump by the cord set.
- Anchor the pump before operating to prevent falling or sliding.
- Operating the pump with the closed discharge valve decreases the life of the bearings and the mechanical seal.
- Wastewater pumps are not recommended to be used in pools or recreational water facilities.
- Control the risk of explosion before using an electric welding equipment.
- Do not ignore health danger and consider hygiene standards.
- Pay attention to the risks derived from electricity breakdowns.
- Ensure that the lifting elements are in good condition.
- Provide an adequate security barrier around the work area.
- Make sure you have a good exit outside the work area.
- Use helmet, safety goggles and footwear suitable for pump handling.
- Never insert the fingers in the pump aspirating inlet because there is a risk of a cut with the turbine. Before manipulating the pump, stop and disconnect the power.



The pump is designed to be used with liquids that can be harmful. To prevent any eye and skin harm, the following standards must be considered:

- Always wear protective goggles and rubber gloves.
- Rinse the pump well with water under pressure before handling it.
- After disassembling the pump, rinse all the components with clean water.
- Place a rag next to the oil chamber screw at the time of loosening it. This will prevent any splash into the eyes or on the skin, since there may be pressure on the pump chamber due to the infiltrations of the fluid pumped.

These pumps have been designed to operate safely when used and maintained in accordance with what is written in this manual.

A pump is a device that contains pieces that are in rotation and, therefore, it can be dangerous. Operators and maintenance personnel must be aware of this and follow security recommendations. Pumps are heavy equipment: handle them carefully.

Precautions prior to installation

- Be careful not to damage the motor terminals when the unit is being unpackaged.
- Check the identification plate and make sure the data corresponds to the pump that you bought.
- Make sure the voltages are specified for the pump work.
- Keep this manual for future consultations.
- Transport and place this pump always in vertical position.



WARNING!

Power-Flo Pumps are **NOT** recommended for:

- (a) pumping flammable liquids
- (b) being used in areas considered dangerous
- (c) being used in pools or recreational facilities
- (d) pumping liquids with abrasive solids
- (e) operating without the recommended level of submergence.

3 - INSTALLATION

Location

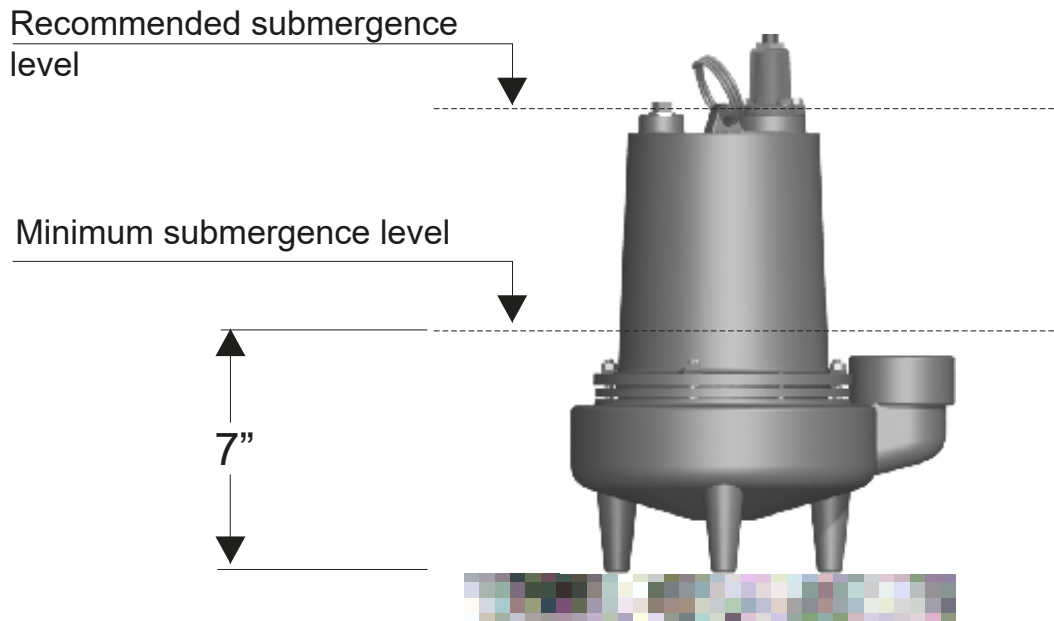
Never install pumps in a ditch with moving soils. The pump can sink, and the suction can be covered.

These pumping units are recommended for use in a sump or pond. The sump must be ventilated, in accordance with local plumbing codes.

This pump is designed to pump wastewater with non-explosive and non-corrosive liquids; they should not be installed in places classified as hazardous or near energy sources.

Submergence level

The pump volute where the motor is lodged contains oil to cool the motor, lubricate the bearings and mechanical seal. These models can operate for long periods of time without pumping liquids. However, a level of submergence is recommended to achieve better cooling and increase motor life as indicated in the following diagram.



Discharge connection

- The discharge pipe should be as short as possible and must have a check valve and a shutoff valve. The first protects the pump and the second serves to cut the flow in the system.
- Elbows should be avoided as much as possible (see typical installation diagram)



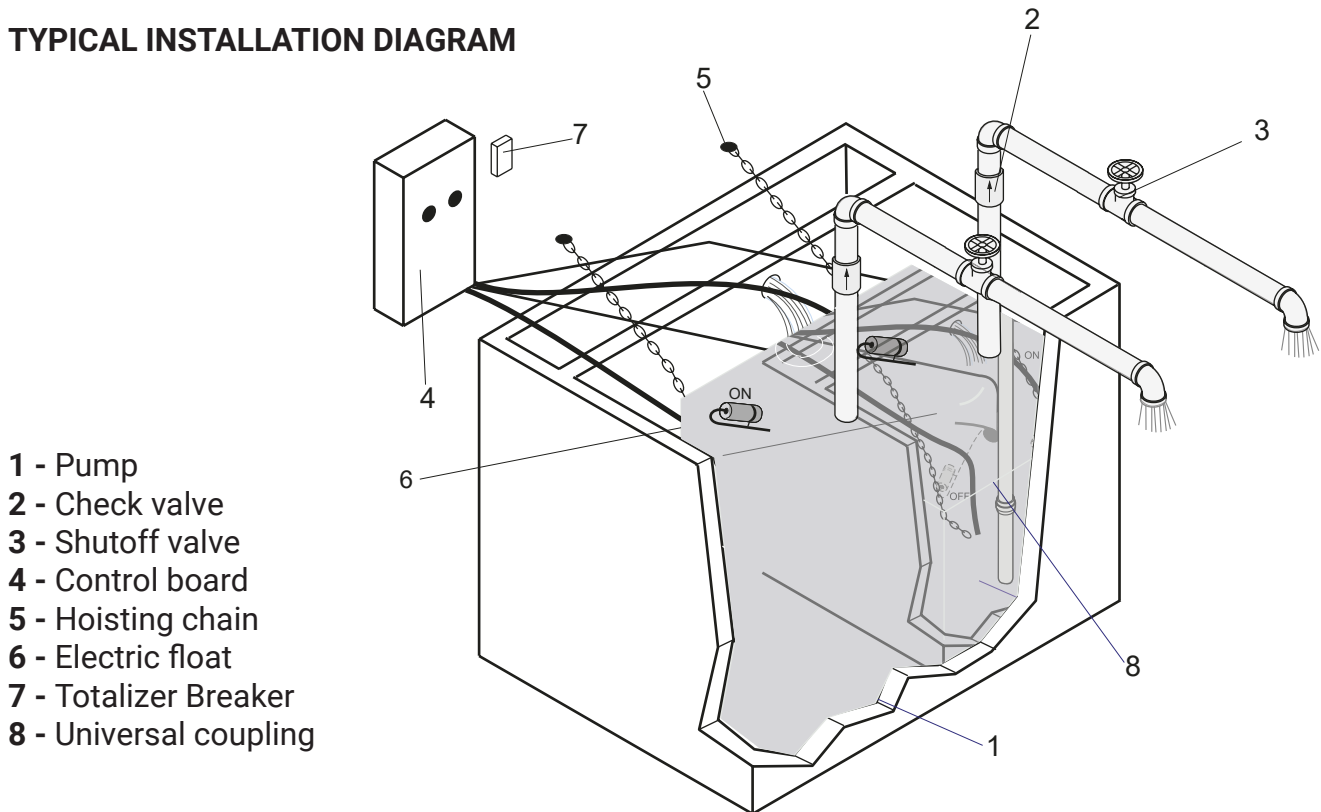
WARNING!

Pumps must be anchored separately from the pipes and their connections should **NEVER** be forced by stress generated in the pump causing failures in their operation.

Level controls

The following diagram shows a typical installation using level controls mounted on the pipeline.

TYPICAL INSTALLATION DIAGRAM



- 1 - Pump
- 2 - Check valve
- 3 - Shutoff valve
- 4 - Control board
- 5 - Hoisting chain
- 6 - Electric float
- 7 - Totalizer Breaker
- 8 - Universal coupling

1) Never work in the well with the system on.

2) The level controls (floats) are sent together with the pumps and must be adjusted on the site, simply adjusting it in the discharge pipe with a strap, or clamp. Make sure the control can range freely. On the other hand, ensure that the pump driver is submerged in the water when the level control is in the off position.

3) It is recommended that the float must be placed to ensure that the level of the liquid in the ejector well is never below the upper part of the pump volute, or a minimum level of 7 inches above the bottom of the pump.

Electric Connections

The cord set should not be modified except to shorten its length.

The control board must be placed outside the well and its connections must be made according to the National Electric Code standards.

The neoprene cord that connects to the pump should NOT be modified, except for cutting the cord to be connected to the control board.

Avoid water entering the cord by the ends, since this moisture will reach the motor and cause serious damage.

Install a temperature protection system to disconnect and warn the user on an inadmissible temperature reached by overload.



WARNING!

- * The cord set should not be used to lift or move the pump.
- * Do not allow the pump to work in an abnormal overload situation.
- * Poor connections void the warranty.

Overload protection:

Single phase - The motor has an overload booting and protector capacitor, used as an inherent superheating protector and operates in the combined effect with the one for temperature. This means that the overload protector will shoot and turn off the pump if the coils overheat, or the passage of load current through them becomes too high. Next, it is automatically restored, and the pump starts until after the motor cools at a safe temperature. In the case of an overload, the source of this condition must be determined and rectified immediately. **DO NOT LET THE PUMP WORK UNDER OVERLOAD CONDITIONS!**

- According to the National Electric Code, all models must be installed using 12AWG or higher cord.
- For distances less than 250 feet (76m) from the main breaker to the pump, 12AWG is sufficient. For major distances, consult an electrician expert or the manufacturer directly.
- The starters, and fuses must be selected according to the table (no 1).

Table No 1

Electrical specifications for wastewater motors

MODEL	HP	VOLT/PH	RPM	FLA	LOCKED ROTOR AMPS	BREAKER AMPS	CORD SIZE
PFCSEH2094	2.0	230/3	3450	14	36	30	12/4
PFCSEH2044	2.0	460/3	3450	7	18	15	12/4
PFCSEH3094	3.0	230/3	3450	16.4	40	30	12/4
PFCSEH3044	3.0	460/3	3450	8.2	20	20	12/4



4 - OPERATION

Before operating the pumps, check the following points:

Check phases and voltage

Voltage and other electrical data contained in the identification plate.

Rotation of the motor.

It must be the right one to avoid motor and pump damage. Give a soft start and observe the direction of turn. It must match what is indicated on the plate (clockwise, seeing it from the upper part of the volute). For three-phase pumps if the rotation is not the indicated one, exchange two cable in the connection of the control board. Whenever making an electrical change, check the direction of rotation.

Do not make the line changes inside the pump volute; write down the pump serial number for subsequent reference.

Isolation test.

Before the pump is put into service, make an isolation test with a (megger). Ohms, as well as volts and amps must be recorded and saved.

Once the pump has been properly connected and descended to the well, its operation must be checked during some work cycles. The emptying times of the well or operation per cycle must be recorded.

The volute must contain oil to cool the motor.

5 - GENERAL MAINTENANCE

Cleaning

If the pump is used in transportable applications, it is necessary to clean it after each use by pumping clean water, thus avoiding the formation of dirt deposits and inlays.



WARNING!

Before starting any maintenance or repair work in the pumps, close the discharge valve and disconnect the power.

Because the motor is lubricated by oil, no other type of lubrication or maintenance work is needed. These pumps are generally very reliable in their operation and in most cases, they can last working without setbacks for many years.

However, as any mechanical equipment, a preventive maintenance program must be carried out that includes:

a) Motor volute review to verify its level and oil pollution.

The pump is supplied by the manufacturer with the motor cooling oil.

To check:

- Place the pump on one side, remove the cap (16) and drain the oil in a clean and dry container.
- See if the oil is dirty or contaminated; if contaminated, then the pump must be carefully inspected for leaks on the shaft seal (6), cord entry (7), the “O” ring of the set of set of cord (25), and the cap (16).
- Before filling with oil, perform a test pressure to locate the fault; once repaired, fill again with dielectric oil Texaco Diala-Oil- Ax or Mobil D.T.E Light according to the recommended amount Table (No 2):

Table No. 2 Recommended amount of dielectric oil according to model

MODEL	GALLONS
PFCSEH2094	1.0
PFCSEH2044	1.0
PFCSEH3094	1.2
PFCSEH3044	1.2

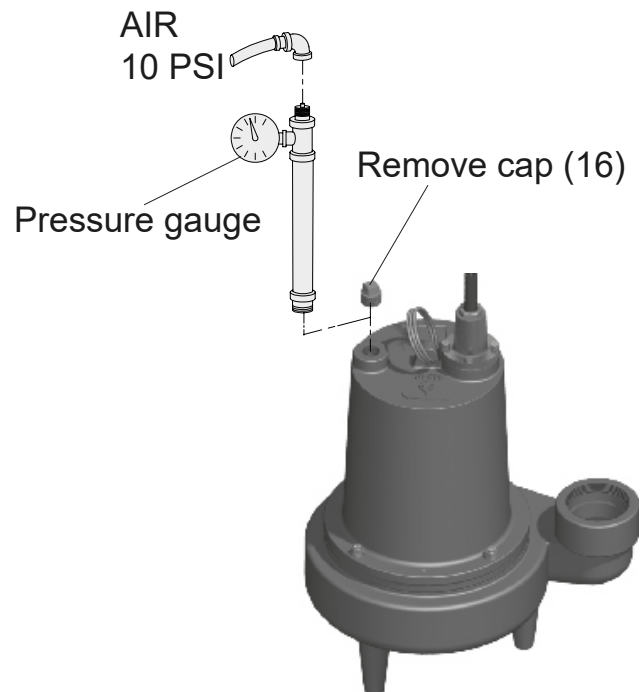


WARNING!

Verify that the oil is below the oil level at the top about 1.6 Inches. If this is not done, excessive hydraulic pressure would be caused that could destroy the pump. Excess oil voids the warranty.

b) Test pressure.

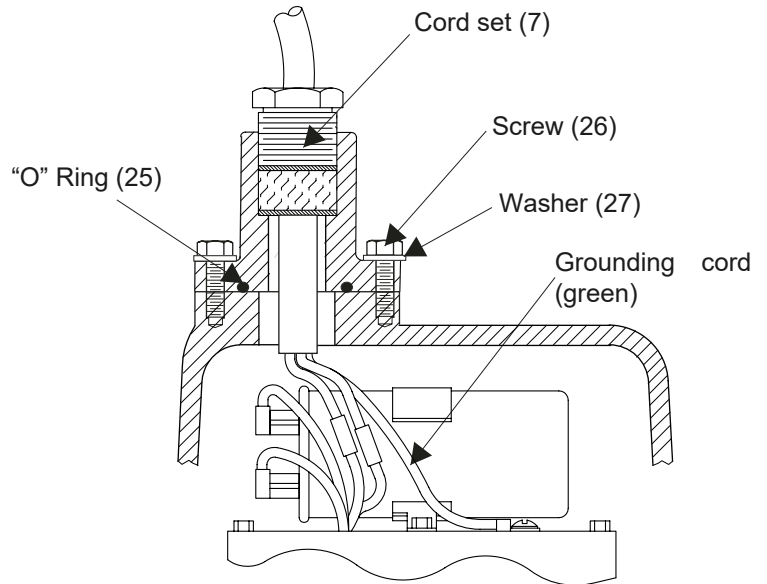
Before checking the pump for leaks around the shaft seal, the square ring, and the cord entry, the oil level must be completed as described in the previous section. Apply sealant to a previously assembled tube with a pressure gauge and install it where the cap goes (apply air at 10 PSI). Use a soap and water solution and apply around the sealed areas and check for air bubbles. If after five minutes the pressure remains constant, and “bubbles” are not observed, slowly release the pressure, and remove the tube together with the pressure gauge. Place the cap (16) applying a thread sealant.





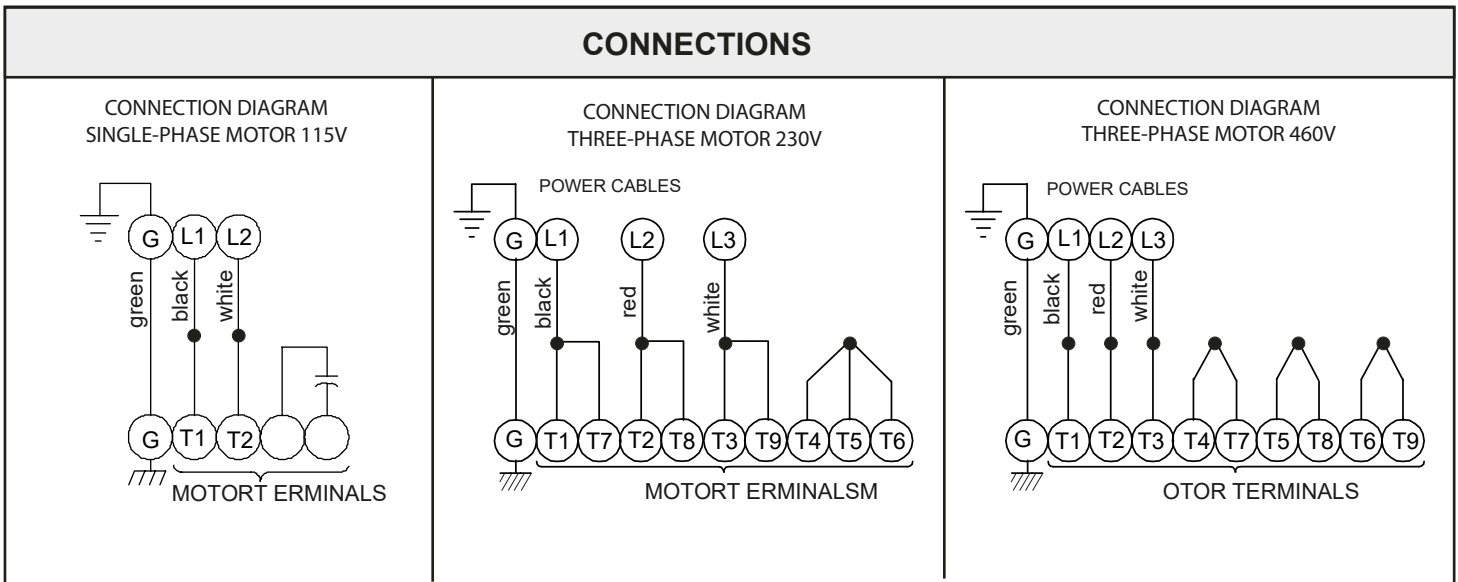
Electrical connections

Check the cables to ensure that they are not torn or have any other defect. If that is the case, change the entire lid of the cord set (7). Remove motor cables and check the insulation. Change them if needed. Now place the "O" ring (25) on the cord set (7). Reconnect the motor terminals to the power cord as shown in diagram.



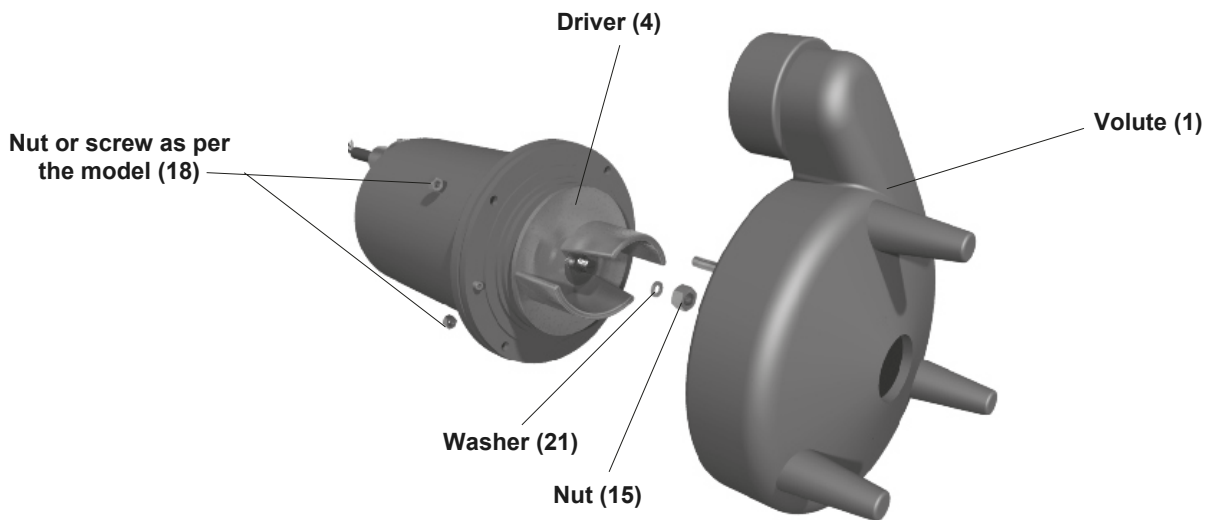
WARNING!

All submersible pump models must be grounded (green cord).



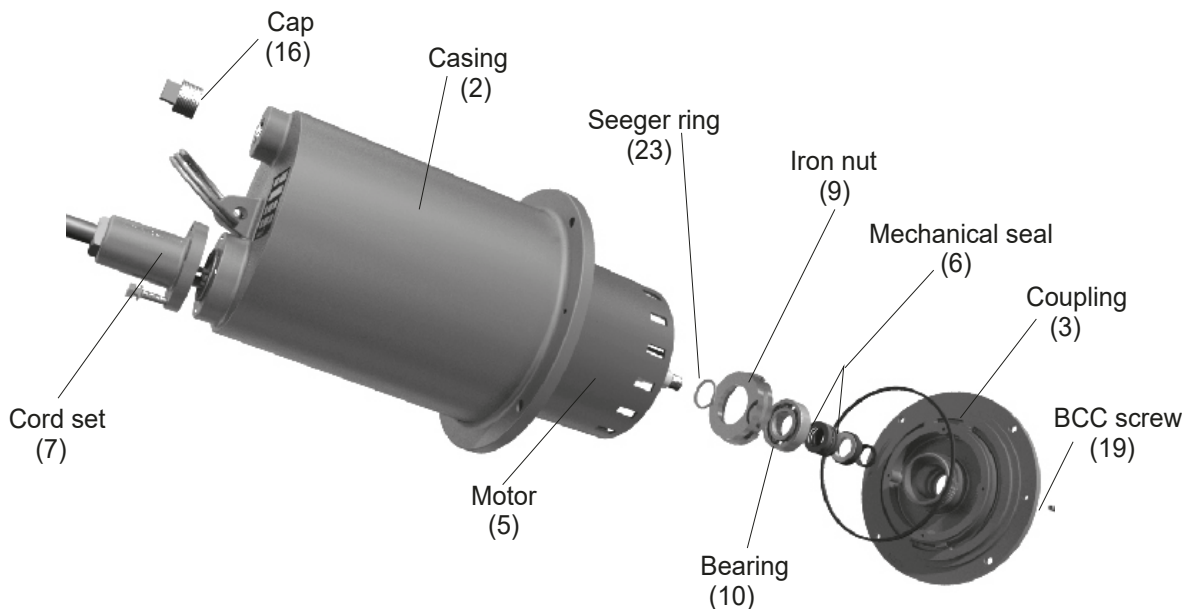
Drive replacement.

- To clean the volute (1) or replace the driver (4), remove the screw (18) and lift the motor assembly and volute seal (1).
- If the driver (4) needs to be replaced, remove the nut (15) and unscrew it holding the shaft with a screwdriver.
- To assemble the driver (4), screw it on the shaft and tighten it. Clean the shaft and place the nut (15) applying a 35 foot/pound torque. Turn the driver to verify its tightening. Install the assembly on the volute (1) and tighten at 8 feet/pound.
- Verify that there is no friction.



Motor and mechanical seal service

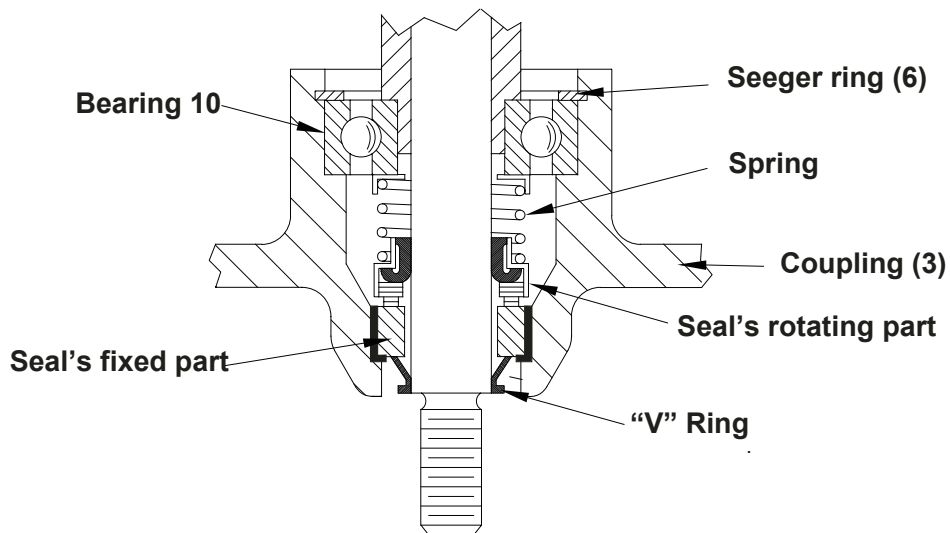
- Remove the volute (1) and the driver (4), as previously noted.
- Remove the oil from the casing (2) by removing the cap (16)
- Remove the screws (19) and separate the motor (5) with the coupling (3) of the casing (2)
- Disconnect the motor (5) from the cord set (7); release the motor screws and remove the coupling (2) together with the stationary part of the seal (6) of the motor (5)
- Check now the motor, bearing and seal components
- Replace the parts that are worn or damaged.
- If one of the seal components requires to be replaced, replace everything.



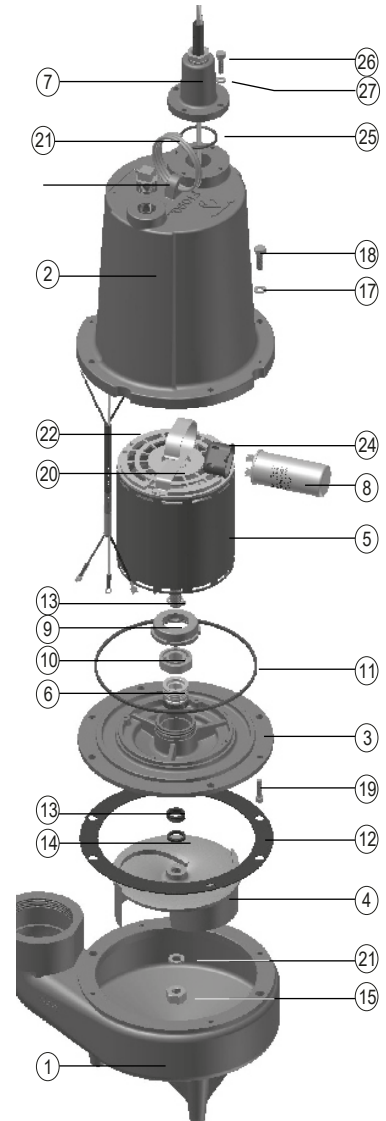
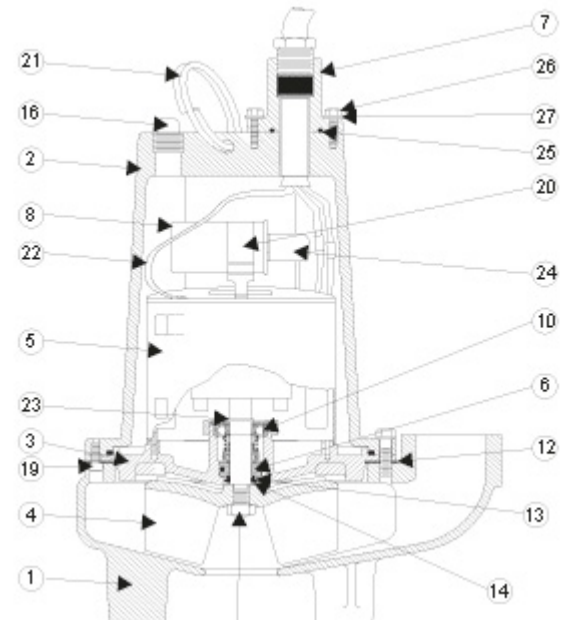


CAUTION!
Handle the seal parts carefully.

- Do not scratch or spoil the rectified faces.
 - When replacing the seal remove the rotating component and the spring of the motor shaft.
 - Also, the fixed part of the coupling. Clean the coupling cavity (3).
 - Place the new fixed component in the coupling, the spring in the rotating axis and component.
- Make sure the spring is properly fixed on the rotating component.
- Carefully assemble the coupling (3) on the motor (5) using the motor screws. Then tighten the cap (9) in the coupling thread (3), check the capacitor (8) and replace if necessary. Add the oil specified above.



DRAWING NO>	DESCRIPTION	PART #	QTY
1	VOLUTE	PFC61574	1
2	MOTOR HOUSING	PFCF1091	1
3	SEAL PLATE	PFC26204	1
4	IMPELLER	PFC30363	1
5	MOTOR	PFC29729	1
6	SEAL	PFC00012	1
7	CORD ASSEMBLY	PFC61277	1
8	CAPACITOR (1PH ONLY)	PFC24306	1
9	MOTOR NUT	PFC35602	1
10	BEARING	PFC17414	1
11	SQUARE RING	PFC27269	1
12	GASKET	PFC27344	1
13	V-RING	PFC56789	1
14	SPACER, RUBBER	PFC59648	1
15	IMPELLER NUT	PFC02522	1
16	CAP	PFC03204	1
17	PRESSURE WASHER	PFC02615	4
18	5/16"X1-1/2" SCREW	PFC16675	4
19	1/4"X1" SCREW	PFC16673	1
20	CAPACITOR BRACE (1PH ONLY)	PFC33459	1
21	LIFTING RING	PFC27271	1
22	GROUND CORD	PFC90139	1
23	SEEGER RING	PFC17421	1
24	TERMINAL PROTECTOR	PFC34322	1
25	O-RING	PFC17711	1
26	1/4"X1" STAINLESS SCREW	PFC02452	4
27	1/4" STAINLESS WASHER	PFC22333	4





6 - FAILURES, CAUSES AND SOLUTIONS

If the system does not work properly, read the instructions carefully and carry out the maintenance recommendations.

If the operating problems are not corrected, the following guide can be helpful in the identification and correction of them:

FAILURE TYPE	PROBABLE CAUSE	SOLUTION
1. The pump does not start.	There is no power in the motor connections.	Check and correct
	Impeller blocked by solids larger than those that the pump can handle.	Clean impeller and inlet of any obstruction.
	Overload protector triggered	If the current in the motor terminals is zero in single-phase motors, disconnect it, let it cool and re-connect. In three-phase motors, allow the protector to cool, press and measure current again. If it is still zero, check the pump's installation connections, starter, or cables in general. In three-phase motors, after placing the protectors, if the current is within the limits.
2. The pump works manually but not automatically.	Defective floating switch	Check the connections to the switch in the well. Make sure there is enough water to operate the controls. If there is an available ohmmeter, place the switch terminals, use a 100-ohm scale, operate manually, and observe if it marks zero when it is closed.
3. The pump starts but then the overload relay triggers	Failure in a feeding phase. Phase imbalance. Bad regulation or defective relay. Blocked rotor. The feed voltage does not correspond to that of the motor	Control the balance of the phases. Control the adjustment. Substitute the overload relay. Send to specialized technical service. Replace the motor or control the feed.

4. The pump works but does not drain the Lift Station	Pump suction totally or partially obstructed. Obstructed discharge pipe. Closed discharge valve. Air trapped in the pump body. Real elevation height far higher than the one planned	Eliminate obstruction. Clean the pipe. Open valve. Proceed to lift up and lower the pump or open the valve until all the air comes out. Replace model with a different one.
---	--	---

Note: Not all problems and corrections apply to each pump model.

7 - WARRANTY

Power-Flo Pumps & Systems guarantees its wastewater pumps for 12 months from the delivery date, against any material and manufacturing defect, in accordance with what is indicated in its general sales conditions. Please contact our commercial team for special condition depending on sales country.

Failure to comply with the suggestions and recommendations of this manual, as well as the incorrect use or unauthorized manipulation of the product, completely invalidates the warranty.

The warranty excludes wear by use, incorrect use, repair, or replacement of the defective piece by the user or by unqualified personnel without the express authorization of Power-Flo Pumps & Systems.



ATTENTION!

Any detected anomaly must be immediately reported to Power-Flo Pumps & Systems.

Not sure about which pump to choose or where to start? Simply scan our QR code to unlock our comprehensive manual, designed to guide you through the process of finding the perfect pump for your specific needs. Contact Power-Flo Pumps today.

