

**Model: PFCSE2024, PFCSE2094, PFCSE2044,
PFCSE3024, PFCSE3094, PFCSE3044**

Features:

Submersible solids handling sewage pumps are designed for typical raw sewage application, flooded zone drainage, septic tanks, ground water level control.

- **DISCHARGE:** 3" NPT, Female
- **LIQUID TEMPERATURE:** 104°F Continuous
- **MOTOR HOUSING/ VOLUTE:** Cast Iron, Class 30
- **IMPELLER:** 2 vane, Semi Open type , Cast Iron, Class 50
- **SHAFT & HARDWARE:** Stainless steel
- **SEAL PLATE:** Cast Iron, Class 30
- **PAINT:** Air dry enamel
- **O-RINGS:** Buna-N
- **SEAL:** Inboard, Single mechanical, 1 inch T6, Oil Filled reservoir, Silicon Carbide/Viton
- **UPPER BEARING:** Single row, ball, oil lubricated
- **LOWER BEARING:** Single row, ball, oil lubricated
- **POWER CORD: 2HP & 3HP - 17 Ft. Cord.**
Epoxy sealed housing with secondary Pressure grommet for sealing and strain relief.
- **MOTOR:** Class B Insulation, Oil Filled, Squirrel Cage Induction
- **SINGLE PHASE:** Permanent Split Capacitor (PSC), Includes overload protection in motor
- **THREE PHASE:** 230/460 is Dual-voltage motor. Requires overload protection to be included in control panel
- **WARRANTY:** 1 year

 **WARNING: CANCER AND REPRODUCTIVE HARM-**
WWW.P65WARNINGS.CA.GOV

MODEL	HP	Volt/ PH	Hz	RPM (Nom)	NEMA Start Code	Full Load Amps	Locked Rotor Amps	Cord Size	Cord Type	Cord O.D	Simplex Control	Duplex Control
PFCSE2024	2.0	230/1	60	1750	B	18	28	14/3	SEOOW	0.522	PF1023	PF2023
PFCSE2094	2.0	230/3	60	1750	B	13	41.2	12/4	SEOOW	0.642	PF1024-O-20	PF2024-O-20
PFCSE2044	2.0	460/3	60	1750	B	6.5	20.6	12/4	SEOOW	0.642	PF1025-O	PF2025-O
PFCSE3024	3.0	230/1	60	1750	A	29	59	10/3	SEOOW	0.690	PF1033-40	PF2033-40
PFCSE3094	3.0	230/3	60	1750	B	17	56	12/4	SEOOW	0.642	PF1034-O-20	PF2034-O-20
PFCSE3044	3.0	460/3	60	1750	B	8.5	28	12/4	SEOOW	0.642	PF1035-O	PF2035-O



**Submersible Sewage
3" Discharge,
2-1/2" Spherical Solids
Manual Operation**

3" - Sewage Pumps - PFCSE, 2 & 3HP - 1750RPM - 60Hz



Power-Flo Pumps & Systems

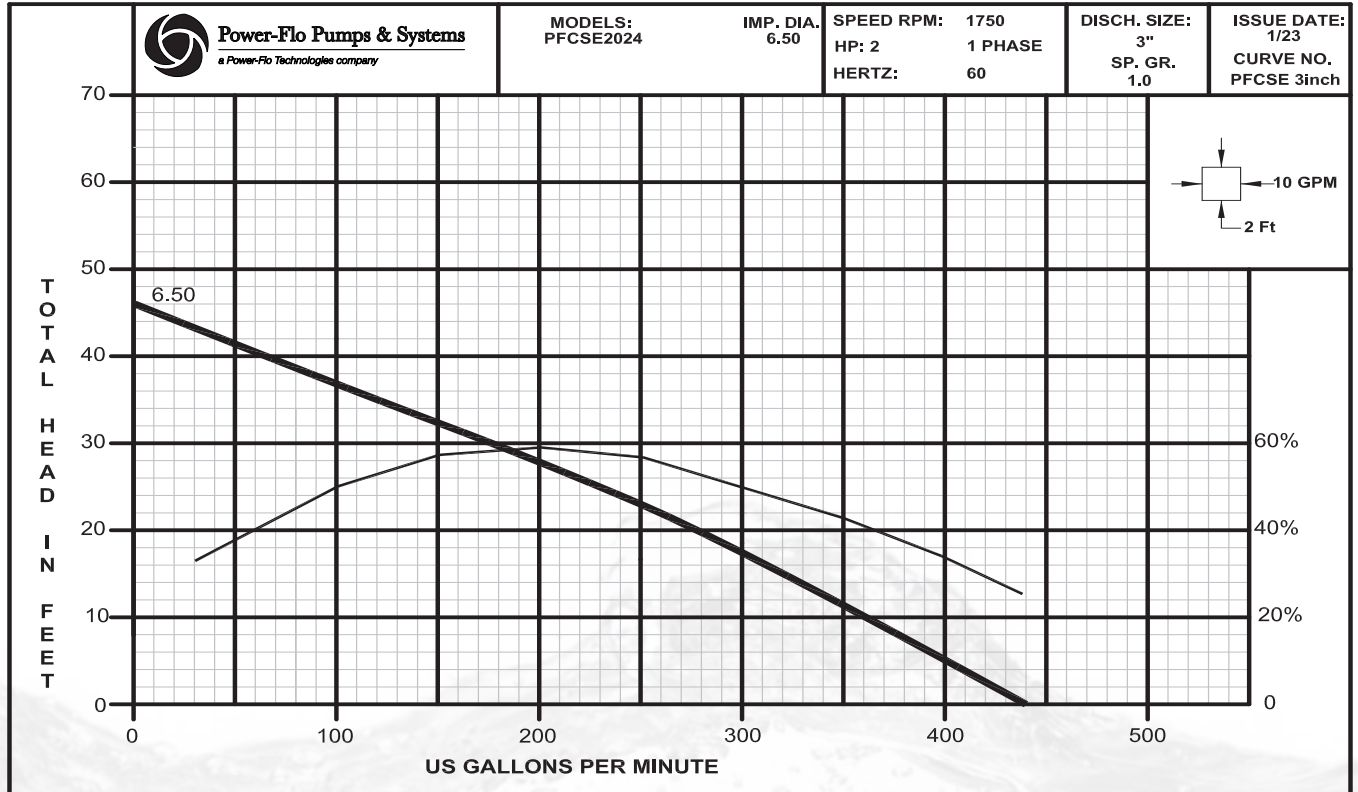
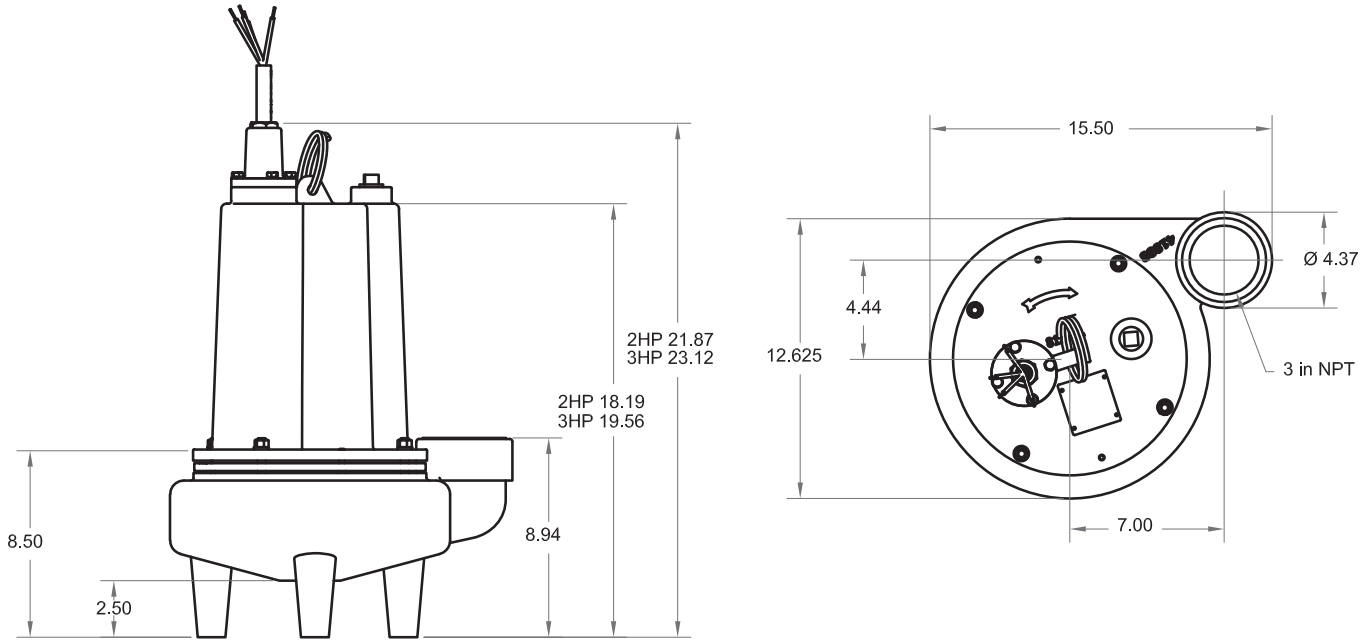
a Power-Flo Technologies company

877-24PUMPS • fax: 516-812-6897 • www.powerflopumps.com

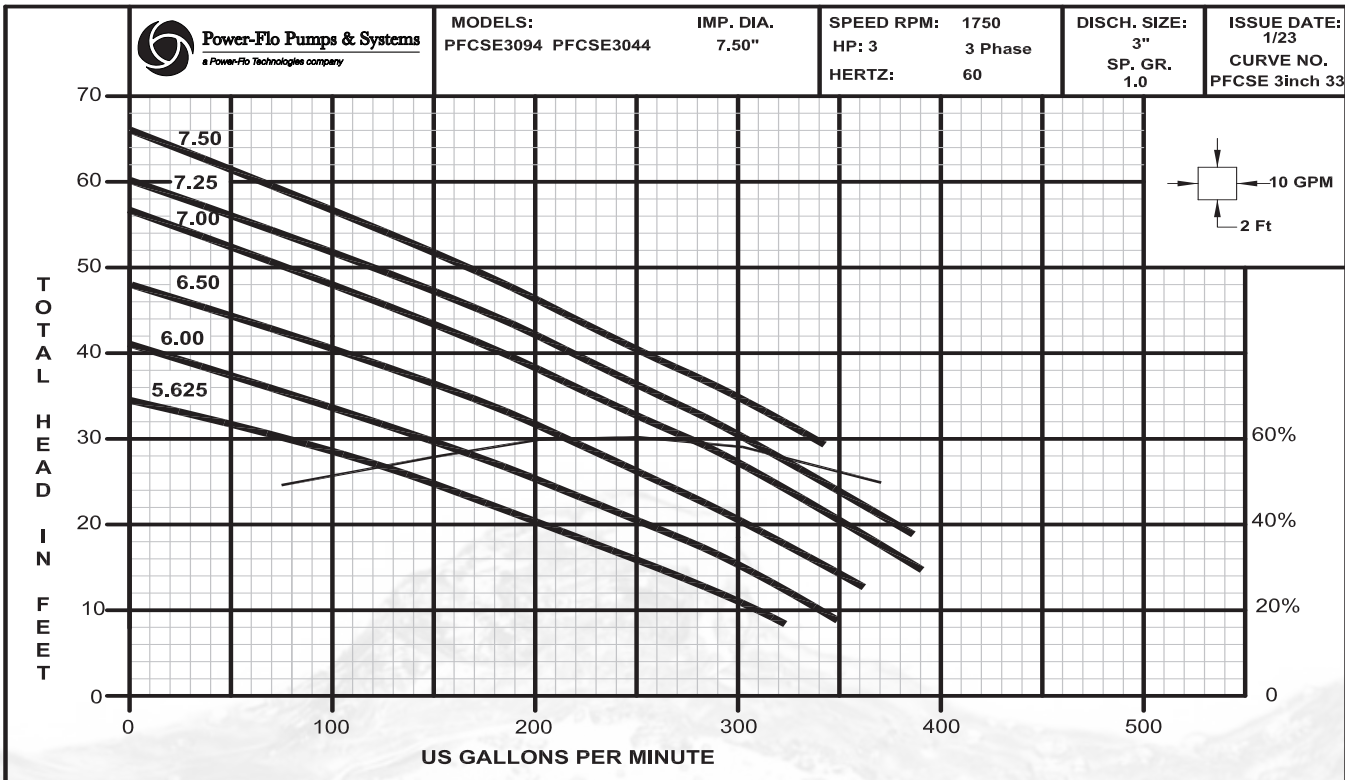
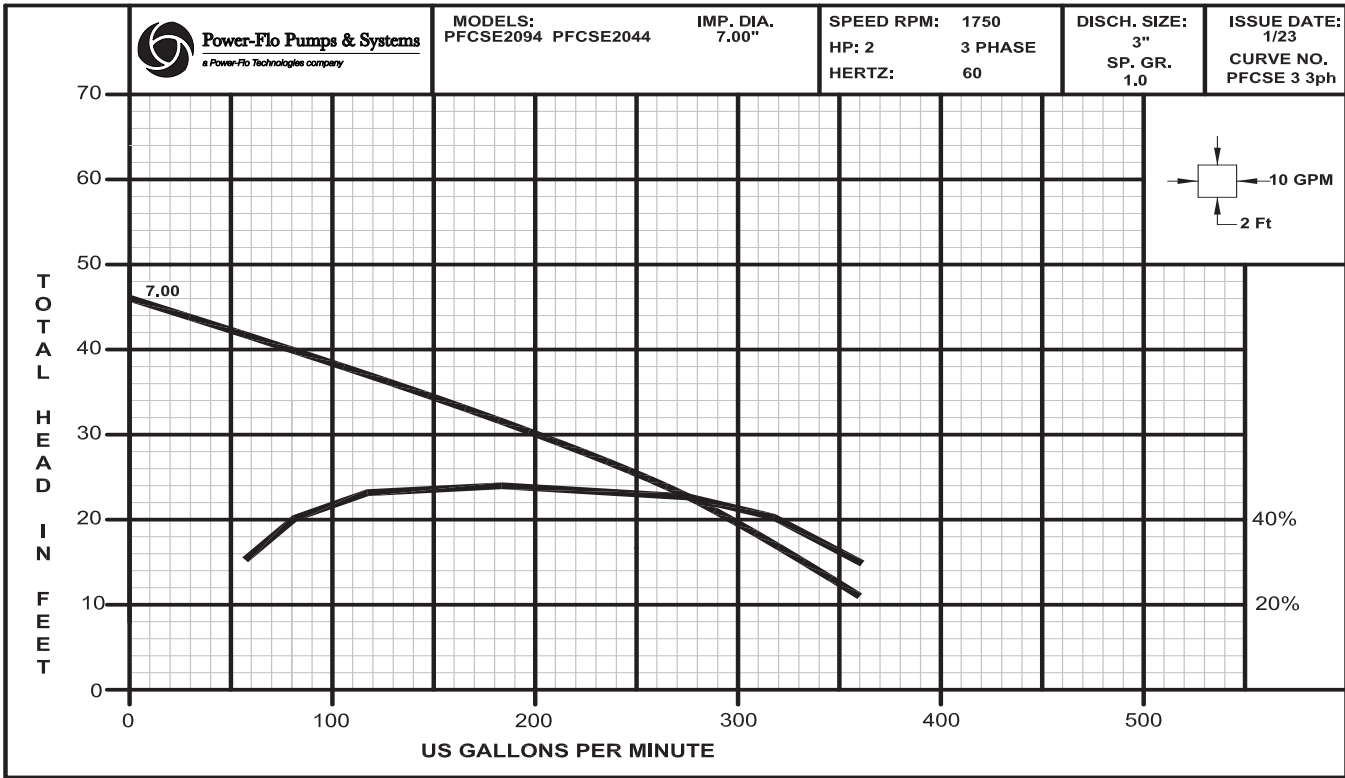
Sect.
5
Page
31
Rev.
03/2023

**Model: PFSE2024
PFSE3024**

3" - Sewage Pumps - PFCSE, 2 & 3HP - 1750RPM - 60Hz



**Model: PFCSE2094, PFCSE2044,
PFCSE3094, PFCSE3044**



Power-Flo Pumps & Systems

a Power-Flo Technologies company

877-24PUMPS • fax: 516-812-6897 • www.powerflopumps.com

3" - Sewage Pumps - PFCSE, 2 & 3HP - 1750RPM - 60HZ

Sect. 5
Page 33
Rev. 03/2023