

**Models: PF6NC30034H, PF6NC30044H,
PF6NC36034H, PF6NC36044H,
PF6NC48044H, PF6NC60044H**

Features:

Submersible solids handling sewage pump designed for typical raw sewage applications.

- **DISCHARGE:** 6" 125 lb., ANSI Flange, Horizontal
- **LIQUID TEMPERATURE:** 104°F
- **MOTOR HOUSING & SEAL PLATE:** Cast Iron, Class 30
- **VOLUTE:** Cast Iron, Class 30, with Bronze wear ring
- **IMPELLER:** Three vane enclosed type with pump out vanes on back side, Dynamically balanced, ISO G6.3, Cast Iron, Class 30
- **SHAFT & HARDWARE:** Stainless steel
- **PAINT:** Air dry enamel
- **SQUARE RINGS:** Buna-N
- **SEAL:** Double mechanical, , 1.875 inch, Oil Filled pressure equalized reservoir, Carbon/Ceramic/Buna-N inner seal, Silicon Carbide/Buna-N outer seal
- **UPPER BEARING:** Single row, ball, oil lubricated
- **LOWER BEARING:** Double row, ball, oil lubricated
- **POWER CORD:**
25 Ft., G type cord. Epoxy sealed housing with secondary Pressure grommet for sealing and strain relief.
- **SENSOR CORD:** 25 Ft. 18/5, 0.476 inch O.D., SOW type
- **MOTOR:** Class F Insulation, Oil Filled
- **THREE PHASE:** 230/460 Volt. Dual Voltage. Requires overload protection to be included in control panel.
- **SEAL LEAK SENSOR:** Normally open (N/O), 2 probe design. requires relay in control panel. (Included in listed panels)
- **TEMPERATURE SENSOR:** Normally closed (N/C), requires relay in control panel. (Included in listed panels)
- **WARRANTY:** 1 year

⚠ WARNING: CANCER AND REPRODUCTIVE HARM-
WWW.P65WARNINGS.CA.GOV



Submersible Solids Handling 6" Discharge, 3" Spherical Solids, Double Seal

MODEL	HP	Volts/ Ph	NEMA START CODE	FULL LOAD AMPS	LOCKED ROTOR AMPS	CORD SIZE	CORD TYPE	CORD O.D.	SIMPLEX PANEL P/N	DUPLEX PANEL P/N
PF6NC30034H	30	230/3	E	76.0	364.0	2/3-3G	G	1.34	PF1304-OST-80	PF2304-OST-80
PF6NC30044H	30	460/3	E	38.0	182.0	2/3-3G	G	1.34	PF1305-OST-65	PF2305-OST-65
PF6NC36034H	36	230/3	E	90.0	434.0	2/3-3G	G	1.34	PF1364-OST-95	PF2364-OST-95
PF6NC36044H	36	460/3	E	45.0	217.0	2/3-3G	G	1.34	PF1365-OST-65	PF2365-OST-65
PF6NC48044H	48	460/3	E	65.0	290.0	2/3-3G	G	1.34	PF1485-OST-65	PF2485-OST-65
PF6NC60044H	60	460/3	E	78.0	363.0	2/3-3G	G	1.34	PF1605-OST-80	PF2605-OST-80

Seal Leak Sensor Relay kit PF0861 and Temperature Sensor Relay Kit PF0876 are available for panels by others.



Power-Flo Pumps & Systems

a Power-Flo Technologies company

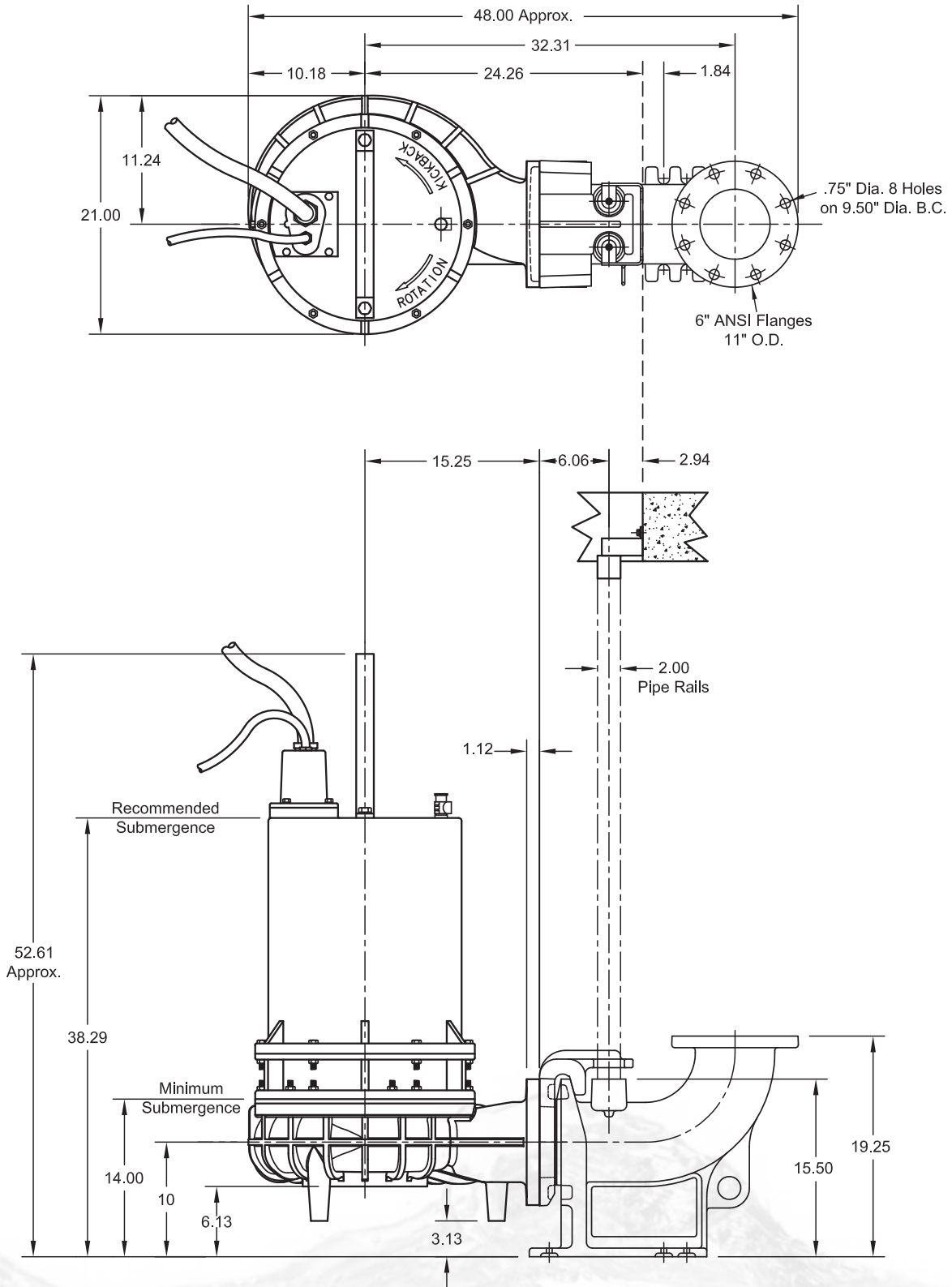
877-24PUMPS • fax: 516-812-6897 • www.powerflopumps.com

6" Solids Handling "H" Pumps - 30, 36, 48 & 60HP - 1750RPM - 60HZ

Sect.
NC
Page
15
Rev.
02/2021

6" Solids Handling "H" Pumps - 30, 36 & 48HP - 1750RPM - 60Hz

Models: PF6NC30034H, PF6NC30044H,
 PF6NC36034H, PF6NC36044H,
 PF6NC48044H, PF6NC60044H



Pump shown with PF600SC Slide Coupling. Slide Coupling sold separately.

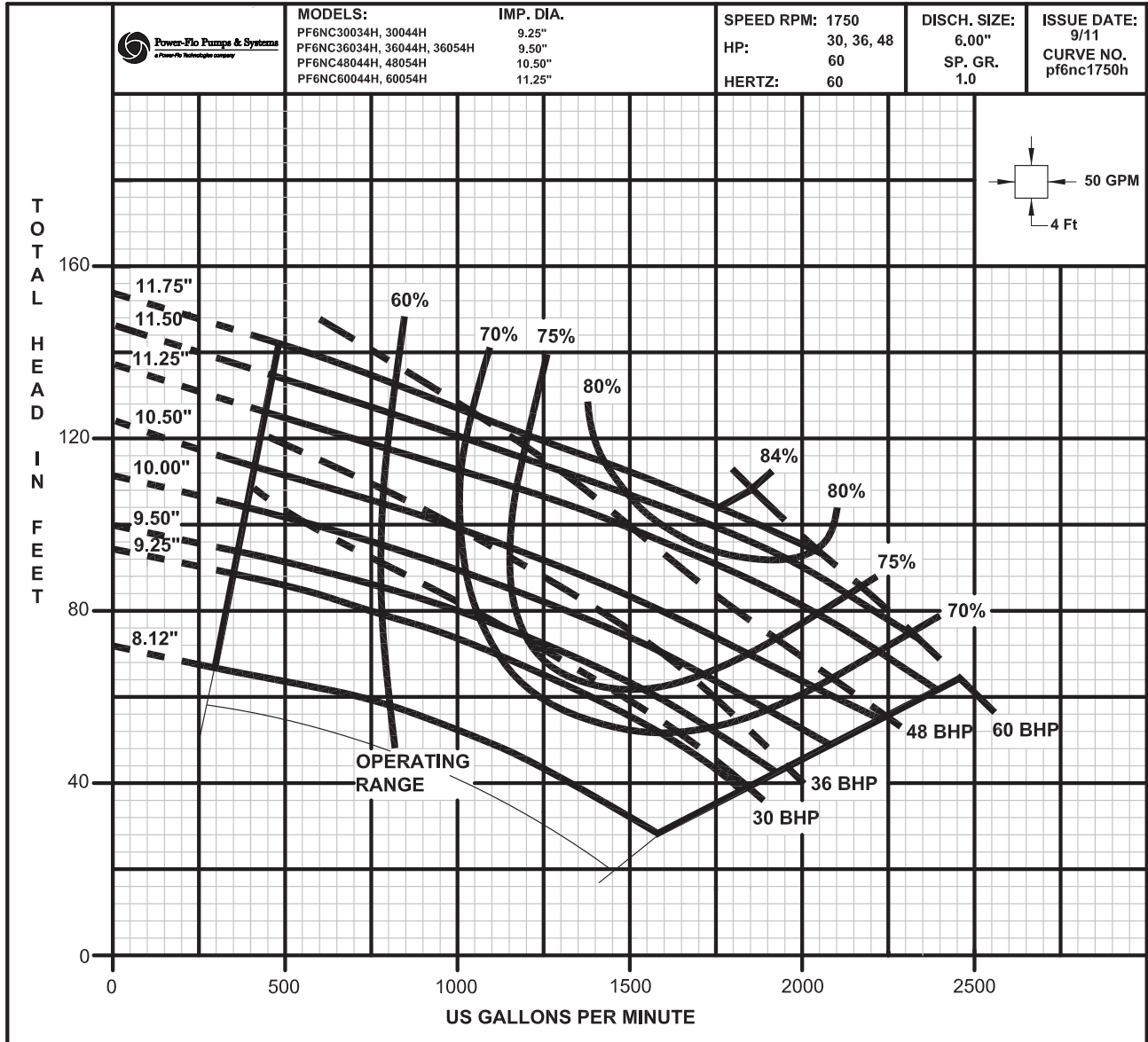


Power-Flo Pumps & Systems

a Power-Flo Technologies company

877-24PUMPS • fax: 516-812-6897 • www.powerflopumps.com

**Models: PF6NC30034H, PF6NC30044H,
PF6NC36034H, PF6NC36044H,
PF6NC48044H, PF6NC60044H**



6" Solids Handling "H" Pumps - 30, 36, 48 & 60HP - 1750RPM - 60HZ



Power-Flo Pumps & Systems

a Power-Flo Technologies company

877-24PUMPS • fax: 516-812-6897 • www.powerflopumps.com

Sect. NC
Page 17
Rev.

02/2021